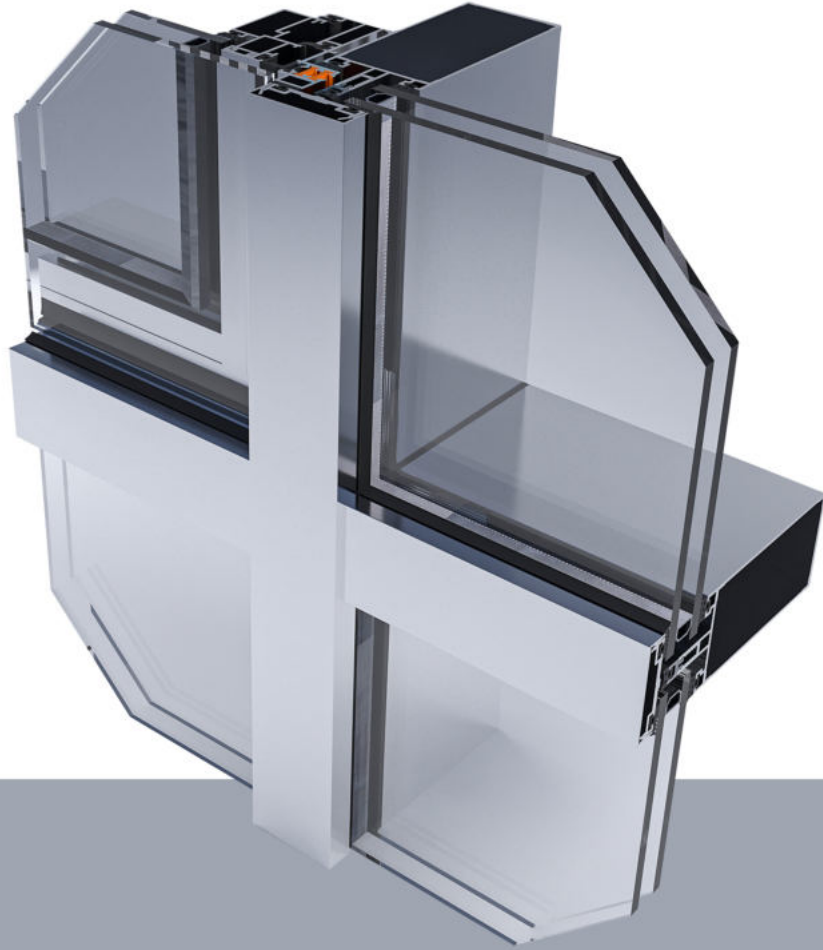
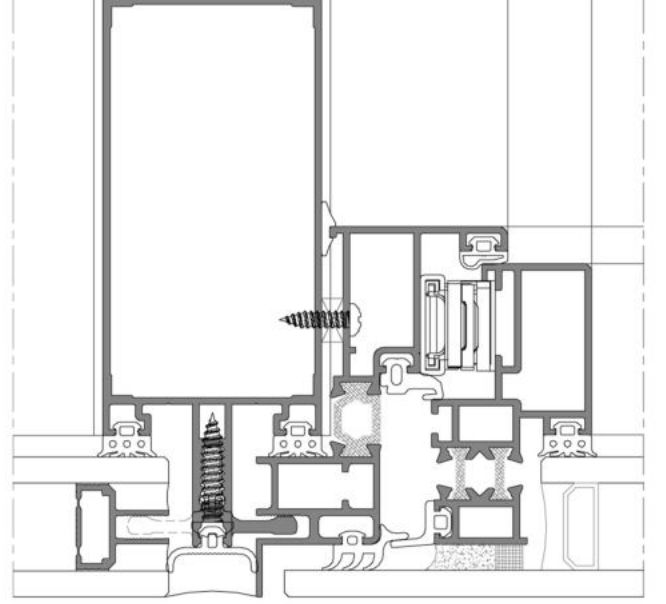




Cephe Sistem
Facade System



ECO F S 50



TEKNİK ÖZELLİKLER / TECHNICAL PROPERTIES

Profil Geniřlięi / Profile Width	50 mm
Profil Et Kalınlıęı / Profile Wall Thickness	1,4 - 2,6 mm
Düřey Tařıyıcı Profil Derinlięi / Mullion Profile Depth	50 - 240 mm
Yatay Tařıyıcı Profil Derinlięi / Transom Profile Depth	50 - 166 mm
Min. Cam Kalınlıęı / Min. Glazing Thickness	4 mm
Maks. Cam Kalınlıęı / Max. Glazing Thickness	45 mm
Min. Kanat Boyut / Min. Sash Dimension	700 - 1200 mm
Maks. Kanat Boyut / Max. Sash Dimension	1500 - 2000 mm
Maks. Kanat Aęırlıęı / Max. Sash Weight	155 kg

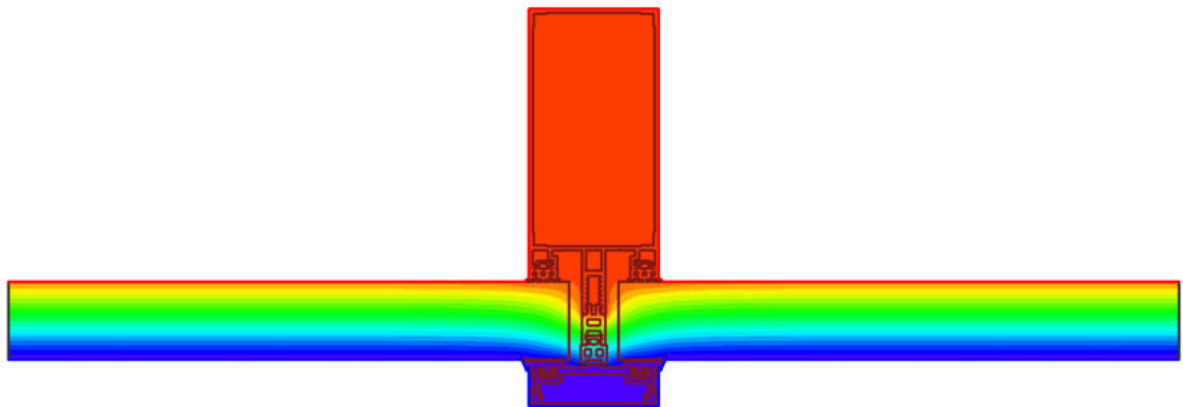
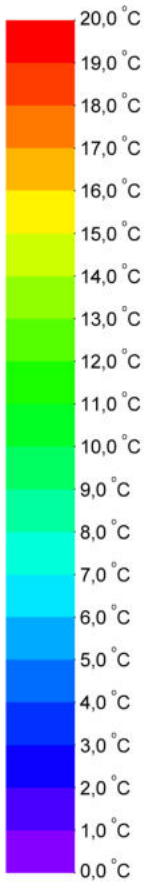
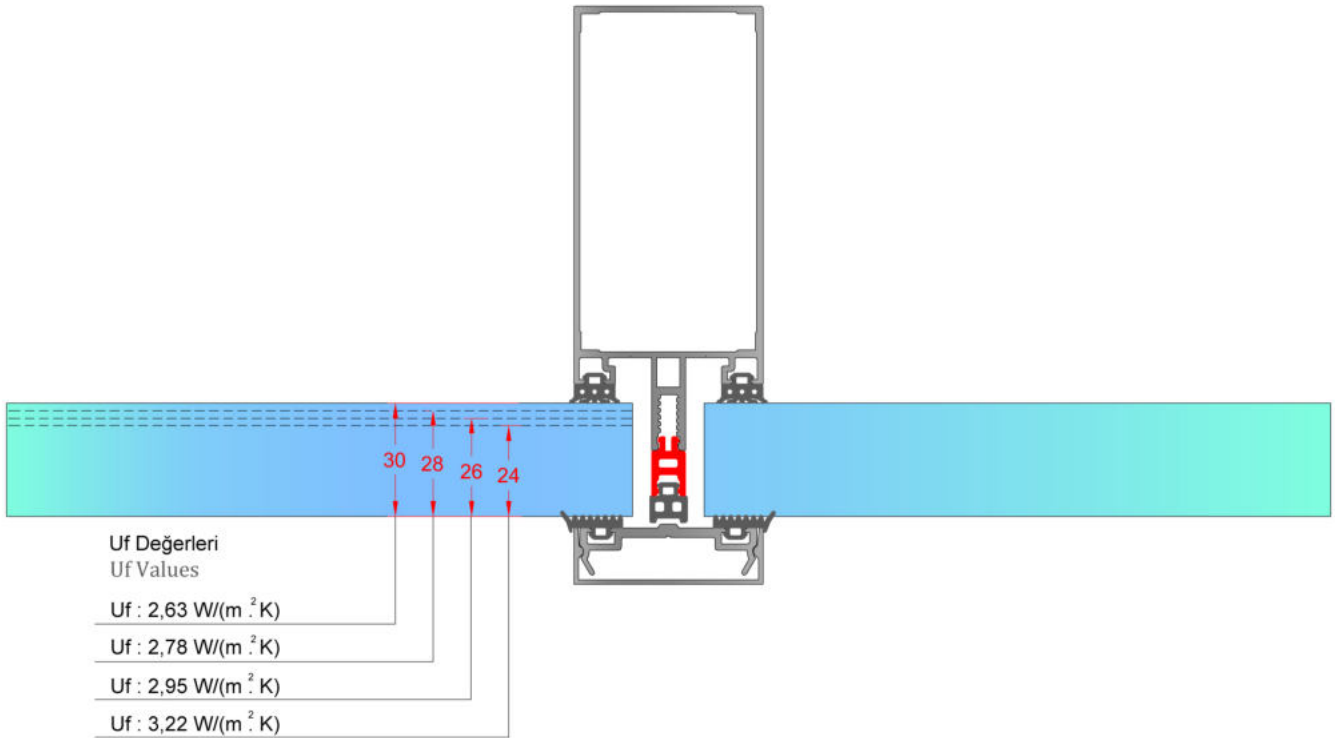
UYGULAMA SEęENEKLERİ / APPLICATION OPTIONS

- Kapaklı Cephe / Covered Facade**
- Entegre Cephe / Integrated Facade**
- Silikon Cephe / Silicone Facade**
- Yarı Kapaklı Cephe / Semi Facade**
- Omega Kapaklı Cephe / Omega Covered Facade**



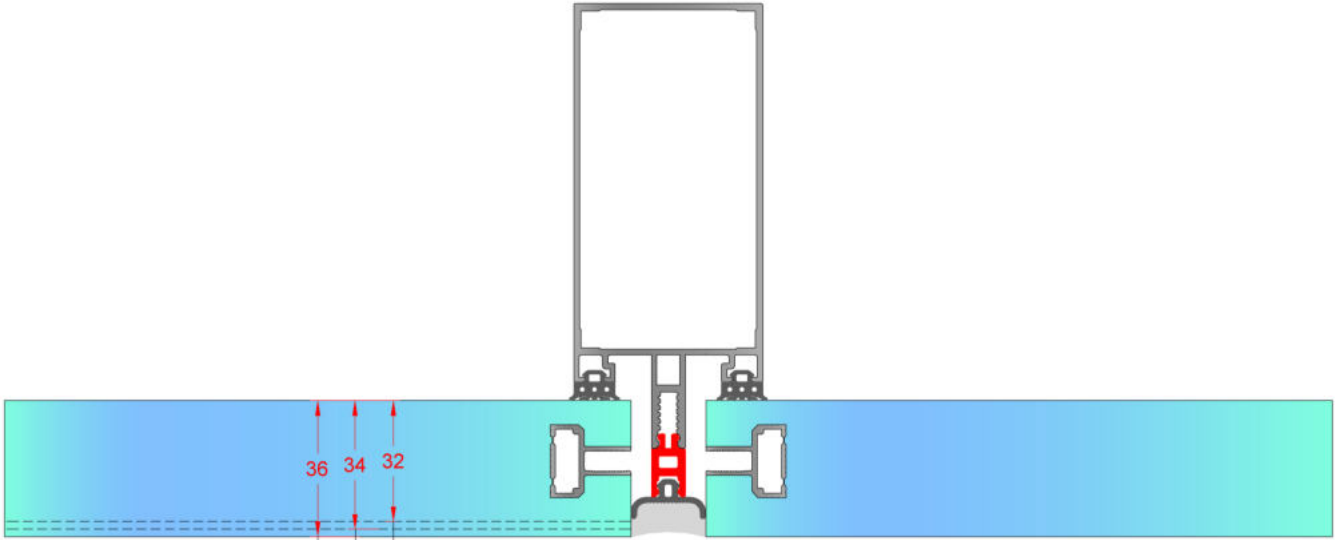


KAPAKLI CEPHE ISI YALITIM DEĞERİ
COVERED FACADE THERMAL INSULATION VALUES



Material	λ [W/(m·K)]	ϵ	Boundary Condition	q [W/m ²]	θ [°C]	R [(m ² ·K)/W]	ϵ
Aluminium (Si Alloys)	160,000	0,900	Epsilon 0.9				0,900
EPDM (ethylene propylene diene monomer)	0,250	0,900	Exterior, frame	0,000	0,040		
PVC-U (polyvinylchloride), rigid	0,170	0,900	Interior, normal, horizontal	20,000	0,130		
Panel	0,035	0,900	Symmetry/Model section	0,000			
Unventilated air cavity	anisotropic						

ENTEĞRE CEPHE ISI YALITIM DEĞERİ
INTEGRATED FACADE THERMAL INSULATION VALUES

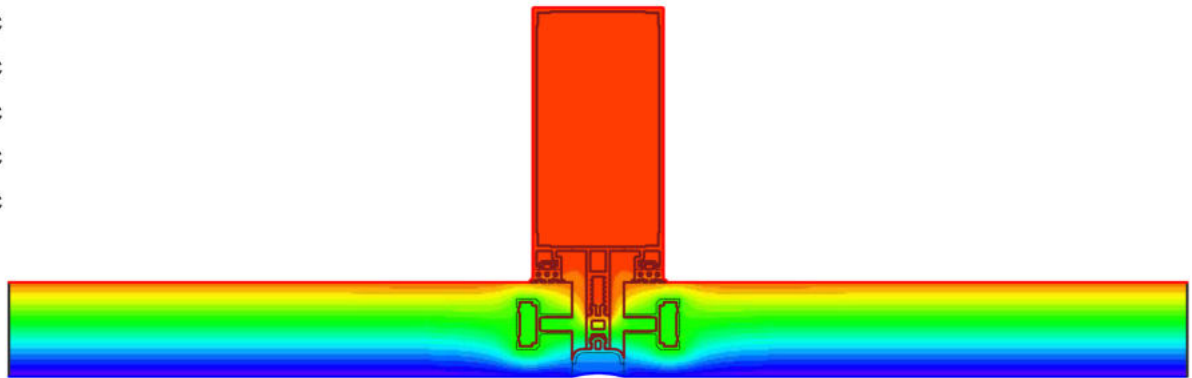
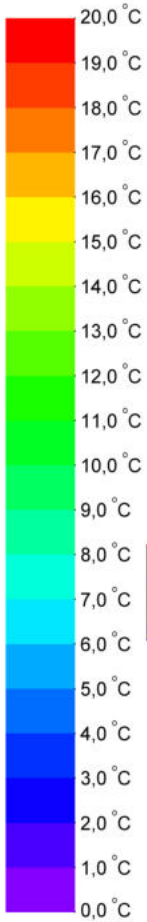


Uf Değerleri
Uf Values

Uf : 2,77 W/(m²·K)

Uf : 3,08 W/(m²·K)

Uf : 3,37 W/(m²·K)



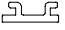
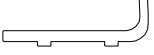
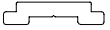
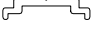
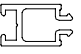








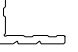


Material	λ [W/(m·K)]	ϵ	Boundary Condition	q [W/m ²]	θ [°C]	R [(m ² ·K)/W]	ϵ
Aluminium (Si Alloys)	160,000	0,900	Epsilon 0.9				0,900
EPDM (ethylene propylene diene monomer)	0,250	0,900	Exterior, frame		0,000	0,040	
PVC-U (polyvinylchloride), rigid	0,170	0,900	Interior, normal, horizontal		20,000	0,130	
Panel	0,035	0,900	Symmetry/Model section	0,000			
Silicone, pure (1)	0,350						
Unventilated air cavity	anisotropic						

PROFİL KESİTİ PROFILE SECTION	PROFİL KODU PROFILE CODE	PROFİL ADI PROFILE NAME	Jx cm ⁴	Jy cm ⁴	AĞIRLIK (kg/m) WEIGHT
	6108	60 mm CEPHE PROFİLİ 60 mm FACADE PROFILE	29,28 cm ⁴	15,70 cm ⁴	1,334 kg/m
	6109	60 mm CEPHE PROFİLİ 60 mm FACADE PROFILE	32,19 cm ⁴	17,73 cm ⁴	1,498 kg/m
	6133	80 mm CEPHE PROFİLİ 80 mm FACADE PROFILE	53,50 cm ⁴	17,19 cm ⁴	1,369 kg/m
	6106	80 mm CEPHE PROFİLİ 80 mm FACADE PROFILE	55,74 cm ⁴	19,45 cm ⁴	1,508 kg/m
	6107	80 mm CEPHE PROFİLİ 80 mm FACADE PROFILE	61,75 cm ⁴	22,31 cm ⁴	1,715 kg/m
	6104	100 mm CEPHE PROFİLİ 100 mm FACADE PROFILE	93,12 cm ⁴	23,19 cm ⁴	1,681 kg/m
	6105	100 mm CEPHE PROFİLİ 100 mm FACADE PROFILE	103,93 cm ⁴	26,95 cm ⁴	1,931 kg/m
	6102	120 mm CEPHE PROFİLİ 120 mm FACADE PROFILE	142,77 cm ⁴	26,93 cm ⁴	1,854 kg/m
	6103	120 mm CEPHE PROFİLİ 120 mm FACADE PROFILE	160,11 cm ⁴	31,52 cm ⁴	2,148 kg/m
	9888	135 mm CEPHE PROFİLİ 135 mm FACADE PROFILE	215,15 cm ⁴	30,77 cm ⁴	2,137 kg/m
	6100	150 mm CEPHE PROFİLİ 150 mm FACADE PROFILE	287,96 cm ⁴	36,26 cm ⁴	2,421 kg/m
	6101	150 mm CEPHE PROFİLİ 150 mm FACADE PROFILE	345,36 cm ⁴	39,97 cm ⁴	2,796 kg/m
	6113-6114	YALITIMLI KASA PROFİLİ INSULATED FRAME PROFILE	34,72 cm ⁴	3,43 cm ⁴	1,317 kg/m
	6110-6111	YALITIMLI GİZLİ KANAT PROFİLİ UNINSULATED HIDDEN SASH PROFILE	16,89 cm ⁴	3,18 cm ⁴	1,241 kg/m
	6112	YALITIMSIZ GİZLİ KANAT PROFİLİ UNINSULATED HIDDEN SASH PROFILE	15,20 cm ⁴	3,06 cm ⁴	0,985 kg/m
	5064-5066	KAPAKLI CEPHE İÇİ KASA PROFİLİ COVERED FACADE FRAME PROFILE	27,56 cm ⁴	5,40 cm ⁴	1,205 kg/m
	5063-5066	KAPAKLI CEPHE İÇİ KASA PROFİLİ COVERED FACADE FRAME PROFILE	41,99 cm ⁴	5,40 cm ⁴	1,251 kg/m
	5065-5066	KAPAKLI CEPHE İÇİ KASA PROFİLİ COVERED FACADE FRAME PROFILE	37,26 cm ⁴	5,40 cm ⁴	1,250 kg/m
	5093	YALITIMSIZ KANAT PROFİLİ UNINSULATED SASH PROFILE	8,86 cm ⁴	3,21 cm ⁴	0,766 kg/m
	5062	YALITIMSIZ KANAT PROFİLİ UNINSULATED SASH PROFILE	10,08 cm ⁴	3,91 cm ⁴	0,918 kg/m
	5081	YALITIMSIZ KANAT PROFİLİ UNINSULATED SASH PROFILE	10,46 cm ⁴	3,87 cm ⁴	0,908 kg/m
	13108-13109	SİSTEM GEÇİŞ ADAPTÖR PROFİLİ SYSTEM TRANSITION ADAPTER PROFILE	14,47 cm ⁴	3,32 cm ⁴	0,918 kg/m

PROFİL KESİTİ PROFILE SECTION	PROFİL KODU PROFILE CODE	PROFİL ADI PROFILE NAME	Jx cm ⁴	Jy cm ⁴	AĞIRLIK (kg/m) WEIGHT
	13254	KAPAK ALTI PROFİLİ UNDER COVER PROFILE	-	-	0,384 kg/m
	5048	KAPAK ALTI BASKI PROFİLİ SUB-COVER PRESSURE PROFILE	-	-	0,466 kg/m
	5124	KAPAK ALTI BASKI PROFİLİ SUB-COVER PRESSURE PROFILE	-	-	0,430 kg/m
	7619	KAPAK ALTI BASKI PROFİLİ SUB-COVER PRESSURE PROFILE	-	-	0,337 kg/m
	5052	KAPAK ALTI BASKI PROFİLİ SUB-COVER PRESSURE PROFILE	-	-	0,515 kg/m
	13255	KAPAK PROFİLİ COVER PROFILE	-	-	0,249 kg/m
	13088	KAPAK PROFİLİ (15 mm) COVER PROFILE (15 mm)	-	-	0,272 kg/m
	2006	KAPAK PROFİLİ (19,5 mm) COVER PROFILE (19,5 mm)	-	-	0,385 kg/m
	5123	KAPAK PROFİLİ (19,5 mm) COVER PROFILE (19,5 mm)	-	-	0,340 kg/m
	5046	KAPAK PROFİLİ (19,5 mm) COVER PROFILE (19,5 mm)	-	-	0,334 kg/m
	2049	KAPAK PROFİLİ (22 mm) COVER PROFILE (22 mm)	-	-	0,331 kg/m
	2009	KAPAK PROFİLİ (26 mm) COVER PROFILE (26 mm)	-	-	0,439 kg/m
	5045	KAPAK PROFİLİ (26 mm) COVER PROFILE (26 mm)	-	-	0,380 kg/m
	2050	KAPAK PROFİLİ (33 mm) COVER PROFILE (33 mm)	-	-	0,403 kg/m
	13089	KAPAK PROFİLİ (50 mm) COVER PROFILE (50 mm)	-	-	0,728 kg/m
	5047	KAPAK PROFİLİ (14 mm) COVER PROFILE (14 mm)	-	-	0,369 kg/m
	13092	90° KÖŞE DÖNÜŞ ÇITA PROFİLİ 90° CORNER BEAD PROFILE	-	-	0,117 kg/m
	13094	135° KÖŞE DÖNÜŞ ÇITA PROFİLİ 135° CORNER BEAD PROFILE	-	-	0,120 kg/m
	13093	90° DIŞTAN KÖŞE DÖNÜŞ PROFİLİ 90° CORNER COVER PROFILE	-	-	0,687 kg/m
	13097	90° İÇTEN KÖŞE DÖNÜŞ PROFİLİ 90° CORNER COVER PROFILE	-	-	1,779 kg/m
	13098	90° KÖŞE DÖNÜŞ BASKI PROFİLİ 90° CORNER PRESSURE PROFILE	-	-	0,749 kg/m
	13099	90° KÖŞE DÖNÜŞ KAPAK PROFİLİ 90° CORNER COVER PROFILE	-	-	0,688 kg/m

PROFİL KESİTİ PROFILE SECTION	PROFİL KODU PROFILE CODE	PROFİL ADI PROFILE NAME	Jx cm ⁴	Jy cm ⁴	AĞIRLIK (kg/m) WEIGHT
	13091	90° DİŞTAN KÖŞE DÖNÜŞ KAPAK PROFİLİ 90° CORNER COVER PROFILE	-	-	1,950 kg/m
	5991	KAPAK PROFİLİ COVER PROFILE	-	-	0,108 kg/m
	13096	135° KÖŞE DÖNÜŞ KAPAK PROFİLİ 135° CORNER COVER PROFILE	-	-	0,945 kg/m
	13095	135° KÖŞE DÖNÜŞ BASKI PROFİLİ 135° CORNER PRESSURE PROFILE	-	-	0,728 kg/m
	5119	OMEGA KAPAK PROFİLİ OMEGA COVER PROFILE	-	-	0,384 kg/m
	12920	OMEGA KAPAK PROFİLİ OMEGA COVER PROFILE	-	-	0,516 kg/m
	5080	BADEM KAPAK PROFİLİ (80 mm) CONVEX COVER PROFILE (80 mm)	-	-	1,106 kg/m
	5051	BADEM KAPAK PROFİLİ (100 mm) CONVEX COVER PROFILE (100 mm)	-	-	1,253 kg/m
	5050	BADEM KAPAK PROFİLİ (125 mm) CONVEX COVER PROFILE (125 mm)	-	-	1,635 kg/m
	5049	BADEM KAPAK PROFİLİ (150 mm) CONVEX COVER PROFILE (150 mm)	-	-	1,874 kg/m
	10065	BADEM KAPAK PROFİLİ (200 mm) CONVEX COVER PROFILE (200 mm)	-	-	2,719 kg/m
	8369	BADEM KAPAK PROFİLİ (300 mm) CONVEX COVER PROFILE (300 mm)	-	-	4,515 kg/m
	9691	BADEM KAPAK PROFİLİ (100 mm) CONVEX COVER PROFILE (100 mm)	-	-	1,498 kg/m
	6124	DİLASYON PROFİLİ DILATATION PROFILE	-	-	2,199 kg/m
	6125	DİLASYON PROFİLİ DILATATION PROFILE	-	-	2,483 kg/m
	6123	DİLASYON PROFİLİ DILATATION PROFILE	-	-	2,753 kg/m
	6122	DİLASYON PROFİLİ DILATATION PROFILE	-	-	3,119 kg/m
	5129	DİLASYON PROFİLİ DILATATION PROFILE	-	-	4,656 kg/m
	5042	U BAĞLANTI PROFİLİ U CONNECTION PROFILE	-	-	1,144 kg/m
	6121	U BAĞLANTI PROFİLİ U CONNECTION PROFILE	-	-	2,027 kg/m
	5041	KIRLANGIÇ BAĞLANTI PROFİLİ CONNECTION PROFILE	-	-	2,211 kg/m

PROFİL KESİTİ PROFILE SECTION	PROFİL KODU PROFILE CODE	PROFİL ADI PROFILE NAME	Jx cm ⁴	Jy cm ⁴	AĞIRLIK (kg/m) WEIGHT
	5040	KIRLANGIÇ BAĞLANTI PROFİLİ CONNECTION PROFILE	-	-	0,456 kg/m
	13090	C BAĞLANTI PROFİLİ C CONNECTION PROFILE	-	-	0,962 kg/m
	5027	CAM YAPIŞTIRMA PROFİLİ GLAZING BONDING PROFILE	-	-	0,128 kg/m
	6120	CAM ALTI DESTEK PROFİLİ SUB-GLAZING SUPPORT PROFILE	-	-	0,265 kg/m
	1122	TİJ PROFİLİ STEM BAR PROFILE	-	-	0,157 kg/m
	8241	TİJ PROFİLİ STEM BAR PROFILE	-	-	0,099 kg/m
	5097	YÜKSELTME ÇİTA PROFİLİ EXTENSION BEAD PROFILE	-	-	0,198 kg/m
	5059	YÜKSELTME ÇİTA PROFİLİ EXTENSION BEAD PROFILE	-	-	0,210 kg/m
	13102	YÜKSELTME ÇİTA PROFİLİ EXTENSION BEAD PROFILE	-	-	0,250 kg/m
	13103	YÜKSELTME ÇİTA PROFİLİ EXTENSION BEAD PROFILE	-	-	0,309 kg/m
	507	ADAPTÖR PROFİLİ ADAPTER PROFILE	-	-	0,126 kg/m
	6115	TEK CAM SPACER PROFİLİ SINGLE GLAZING SPACER PROFILE	-	-	0,411 kg/m
	6116	PANEL SPACER PROFİLİ PANEL SPACER PROFILE	-	-	0,530 kg/m
	9748	TEK CAM SPACER PROFİLİ GLAZING BEAD SPACER PROFILE	-	-	0,419 kg/m
	6117	20 MM SPACER PROFİLİ 20 MM SPACER PROFILE	-	-	0,254 kg/m
	1662	KÖŞE TAKOZ PROFİLİ CORNER WEDGE PROFILE	-	-	2,576 kg/m
	5022	KÖŞE TAKOZ PROFİLİ CORNER WEDGE PROFILE	-	-	2,245 kg/m
	2046	KÖŞE TAKOZ PROFİLİ CORNER WEDGE PROFILE	-	-	2,091 kg/m

AKSESUAR ACCESSORY	STOK KODU REFERENCE CODE	AKSESUAR ADI DESCRIPTION	AKSESUAR KODU PRODUCT CODE	PAKET PACK
	AKS1237	CEPHE CAM FİTİLİ (3 mm) FACADE GLAZING GASKET (3 mm)	FS50ECO-CF.03	169 mt / paket 10 kg
	AKS1238	CEPHE CAM FİTİLİ (4 mm) FACADE GLAZING GASKET (4 mm)	FS50ECO-CF.04	128 mt / paket 10 kg
	AKS1239	CEPHE CAM FİTİLİ (5 mm) FACADE GLAZING GASKET (5 mm)	FS50ECO-CF.05	128 mt / paket 10 kg
	AKS1241	CEPHE CAM FİTİLİ (6 mm) FACADE GLAZING GASKET (6 mm)	FS50ECO-CF.06	94 mt / paket 10 kg
	AKS1242	CEPHE CAM FİTİLİ (7 mm) FACADE GLAZING GASKET (7 mm)	FS50ECO-CF.07	92 mt / paket 10 kg
	AKS1243	CEPHE CAM FİTİLİ (8 mm) FACADE GLAZING GASKET (8 mm)	FS50ECO-CF.08	87 mt / paket 10 kg
	AKS1244	CEPHE CAM FİTİLİ (9 mm) FACADE GLAZING GASKET (9 mm)	FS50ECO-CF.09	80 mt / paket 10 kg
	AKS1320	CEPHE CAM FİTİLİ (10 mm) FACADE GLAZING GASKET (10 mm)	FS50ECO-CF.10	75 mt / paket 10 kg
	AKS1245	CEPHE CAM FİTİLİ (11 mm) FACADE GLAZING GASKET (11 mm)	FS50ECO-CF.11	68 mt / paket 10 kg
	AKS1246	CEPHE CAM FİTİLİ (12 mm) FACADE GLAZING GASKET (12 mm)	FS50ECO-CF.12	64 mt / paket 10 kg

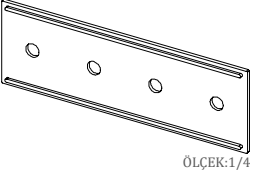

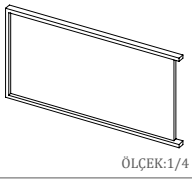
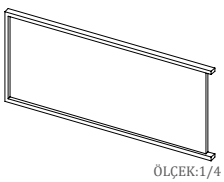
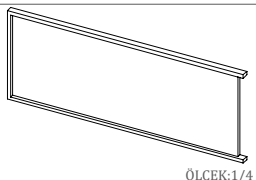
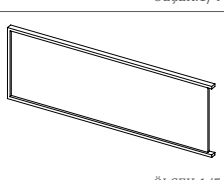
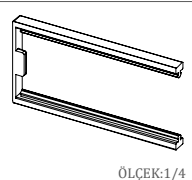
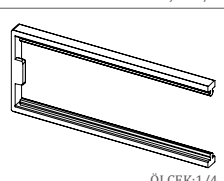
AKSESUAR ACCESSORY	STOK KODU REFERENCE CODE	AKSESUAR ADI DESCRIPTION	AKSESUAR KODU PRODUCT CODE	PAKET PACK
	AKS1247	CEPHE CAM FİTİLİ (13 mm) FACADE GLAZING GASKET (13 mm)	FS50ECO-CF.13	60 mt / paket 10 kg
	AKS1248	CEPHE CAM FİTİLİ (14 mm) FACADE GLAZING GASKET (14 mm)	FS50ECO-CF.14	56 mt / paket 10 kg
	AKS1249	CEPHE CAM FİTİLİ (15 mm) FACADE GLAZING GASKET (15 mm)	FS50ECO-CF.15	54 mt / paket 10 kg
	AKS1250	CEPHE CAM FİTİLİ (16 mm) FACADE GLAZING GASKET (16 mm)	FS50ECO-CF.16	46 mt / paket 10 kg
	AKS1252	CEPHE CAM FİTİLİ (18 mm) FACADE GLAZING GASKET (18 mm)	FS50ECO-CF.18	42 mt / paket 10 kg
	AKS1289	KAPAK ALTI DIŞ CAM FİTİLİ UNDER COVER OUTER GLAZING GASKET	FS50ECO-KF.30	136 mt / paket 10 kg
	AKS1290	KAPAK ALTI DIŞ CAM FİTİLİ UNDER COVER OUTER GLAZING GASKET	FS50ECO-KF.50	103 mt / paket 10 kg
	AKS7176	CEPHE ISI İZOLATÖR FİTİLİ (3 mm) FACADE THERMAL INSULATOR GASKET (3 mm)	FS50ECO-IF.03	212 mt / paket 10 kg/mt
	AKS1378	CEPHE ISI İZOLATÖR FİTİLİ (4 mm) FACADE THERMAL INSULATOR GASKET (4 mm)	FS50ECO-IF.04	178 mt / paket 10 kg/mt
	AKS7177	CEPHE ISI İZOLATÖR FİTİLİ (5 mm) FACADE THERMAL INSULATOR GASKET (5 mm)	FS50ECO-IF.05	153 mt / paket 10 kg/mt

AKSESUAR ACCESSORY	STOK KODU REFERENCE CODE	AKSESUAR ADI DESCRIPTION	AKSESUAR KODU PRODUCT CODE	PAKET PACK
	AKS1379	CEPHE ISI İZOLATÖR FİTİLİ (6 mm) FACADE THERMAL INSULATOR GASKET (6 mm)	FS50ECO-IF.06	140 mt / paket 10 kg/mt
	AKS1380	CEPHE ISI İZOLATÖR (7 mm) FACADE THERMAL INSULATOR GASKET (7 mm)	FS50ECO-IF.07	121 mt / paket 10 kg/mt
	AKS7178	CEPHE ISI İZOLATÖR (9 mm) FACADE THERMAL INSULATOR GASKET (9 mm)	FS50ECO-IF.09	96 mt / paket 10 kg/mt
	AKS1446	KAMA FİTİLİ (2 MM) DERZ GASKET (2 mm)	FS50ECO-KMF.02	250 mt / paket 10 kg/mt
	AKS1280	CEPHE İÇİ KASA DERZ FİTİLİ DERZ GASKET (8 mm)	FS50ECO-KTF.20	140 mt / paket 10 kg/mt
	AKS1294	CEPHE GİZLİ KANAT KASA FİTİLİ SASH-FRAME GASKET	FS50ECO-KYF.10	113 mt / paket 10 kg/mt
	AKS1261	CEPHE İÇİ KASET DERZ FİTİLİ DERZ GASKET	FS50ECO-TF.20	166 mt / paket 10 kg/mt
	AKS1262	CEPHE İÇİ KASET DERZ FİTİLİ DERZ GASKET	FS50ECO-TF.40	115 mt / paket 10 kg/mt
	AKS1375	KASA BİNE FİTİLİ FRAME MOUNTING GASKET	FS50ECO-KYF.03	215 mt / paket 10 kg/mt
	AKS1305	ORTA BASKI FİTİLİ CENTER PRESSURE GASKET	FS50ECO-OYF.30	51 mt / paket 10 kg/mt

AKSESUAR ACCESSORY	STOK KODU REFERENCE CODE	AKSESUAR ADI DESCRIPTION	AKSESUAR KODU PRODUCT CODE	PAKET PACK
	AKS1304	SİLİKON CEPHE AÇILI ORTA BASKI FİTİLİ VERTICAL GASKET	FS50ECO-OYF.40	45 mt / paket 10 kg/mt
	AKS1292	KAPAK ÜSTÜ FİTİLİ ON COVER GASKET	FS50ECO-KF.20	135 mt / paket 10 kg/mt
	AKS1390	CAM YASTIK FİTİLİ GLAZING GASKET	FS50ECO-CYF.30	65 mt / paket 10 kg/mt
	AKS1389	KAPAK ALTI FİTİLİ UNDER COVER GASKET	FS50ECO-CF.20	220 mt / paket 10 kg/mt
	AKS473	CEPHE ISI İZOLATÖR (6 mm) FACADE THERMAL INSULATOR (6 mm)	FS50ECO-PLS.06	125 mt / 25 boy
	AKS470	CEPHE ISI İZOLATÖR (7.9 mm) FACADE THERMAL INSULATOR (7.9 mm)	FS50ECO-İZ.79	125 mt / 25 boy
	AKS7181	CEPHE ISI İZOLATÖR (8.9 mm) FACADE THERMAL INSULATOR (8.9 mm)	FS50ECO-İZ.89	125 mt / 25 boy
	AKS7182	CEPHE ISI İZOLATÖR (10.9 mm) FACADE THERMAL INSULATOR (10.9 mm)	FS50ECO-İZ.109	125 mt / 25 boy
	AKS7183	CEPHE ISI İZOLATÖR (11.9 mm) FACADE THERMAL INSULATOR (11.9 mm)	FS50ECO-İZ.119	125 mt / 25 boy
	AKS7184	CEPHE ISI İZOLATÖR (12.9 mm) FACADE THERMAL INSULATOR (12.9 mm)	FS50ECO-İZ.129	125 mt / 25 boy

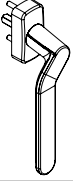
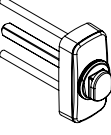

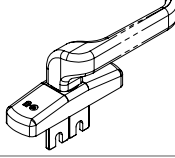
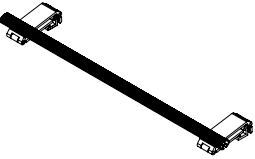
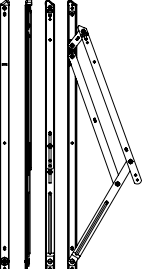
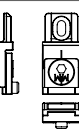
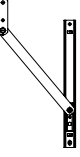
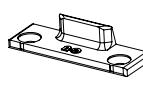
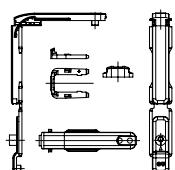
AKSESUAR ACCESSORY	STOK KODU REFERENCE CODE	AKSESUAR ADI DESCRIPTION	AKSESUAR KODU PRODUCT CODE	PAKET PACK
	AKS7185	CEPHE ISI İZOLATÖR (13.9 mm) FACADE THERMAL INSULATOR (13.9 mm)	FS50ECO-İZ.139	125 mt / 25 boy
	AKS4148	CEPHE ISI İZOLATÖR (12 mm) FACADE THERMAL INSULATOR (12 mm)	FS50ECO-PLS.12	125 mt / 25 boy
	AKS4149	CEPHE ISI İZOLATÖR (18 mm) FACADE THERMAL INSULATOR (18 mm)	FS50ECO-PLS.18	125 mt / 25 boy
 ÖLÇEK:1/2	AKS472	CEPHE ISI İZOLATÖR (20 mm) FACADE THERMAL INSULATOR (20 mm)	FS50ECO-PLS.20	125 mt / 25 boy
 ÖLÇEK:1/2	AKS474	CEPHE ISI İZOLATÖR 24 mm) FACADE THERMAL INSULATOR (24 mm)	FS50ECO-PLS.24	125 mt / 25 boy
	AKS1483	CEPHE KÖŞE VULKANİZE FİTİL SAĞ/SOL (CF.09+CF.03) FACADE CORNER VULCANIZE GASKET RIGHT/LEFT (CF.09+CF.03)	FS50ECO-CVK.93	40 tk / paket
	AKS1484	CEPHE KÖŞE VULKANİZE FİTİL SAĞ/SOL (CF.10+CF.04) FACADE CORNER VULCANIZE GASKET RIGHT/LEFT (CF.10+CF.04)	FS50ECO-CVK.104	40 tk / paket
	AKS1485	CEPHE KÖŞE VULKANİZE FİTİL SAĞ/SOL (CF.11+CF.05) FACADE CORNER VULCANIZE GASKET RIGHT/LEFT (CF.11+CF.05)	FS50ECO-CVK.115	40 tk / paket
	AKS1486	CEPHE KÖŞE VULKANİZE FİTİL SAĞ/SOL (CF.12+CF.06) FACADE CORNER VULCANIZE GASKET RIGHT/LEFT (CF.12+CF.06)	FS50ECO-CVK.126	40 tk / paket
	AKS1487	CEPHE KÖŞE VULKANİZE FİTİL SAĞ/SOL (CF.13+CF.07) FACADE CORNER VULCANIZE GASKET RIGHT/LEFT (CF.13+CF.07)	FS50ECO-CVK.137	40 tk / paket

AKSESUAR ACCESSORY	STOK KODU REFERENCE CODE	AKSESUAR ADI DESCRIPTION	AKSESUAR KODU PRODUCT CODE	PAKET PACK
	AKS1488	CEPHE KÖŞE VULKANİZE FİTİL SAĞ/SOL (CF.14+CF.08) FAÇADE CORNER VULCANIZE GASKET RIGHT/LEFT (CF.14+CF.08)	FS50ECO-CVK.148	40 tk / paket
	AKS1489	CEPHE KÖŞE VULKANİZE FİTİL SAĞ/SOL (CF.15+CF.09) FAÇADE CORNER VULCANIZE GASKET RIGHT/LEFT (CF.15+CF.09)	FS50ECO-CVK.159	40 tk / paket
	AKS7288	CEPHE KÖŞE VULKANİZE FİTİL SAĞ/SOL (CF.18+CF.12) FAÇADE CORNER VULCANIZE GASKET RIGHT/LEFT (CF.18+CF.12)	FS50ECO-CVK.1812	40 tk / paket
	AKS1490	CEPHE KÖŞE VULKANİZE FİTİL SAĞ/SOL (TF.20+TF.20) FAÇADE CORNER VULCANIZE GASKET RIGHT/LEFT (TF.20+TF.20)	FS50ECO-CVK.20	40 tk / paket
	AKS1491	CEPHE KÖŞE VULKANİZE FİTİL SAĞ/SOL (TF.40+TF.40) FAÇADE CORNER VULCANIZE GASKET RIGHT/LEFT (TF.40+TF.40)	FS50ECO-CVK.40	40 tk / paket
 ÖLÇEK:1/4	03 070554	60 HEMYÜZ GENLEŞME YAKASI (EPDM) GASKET (EPDM)	FS50ECO-HYK.60	100 ad / paket
 ÖLÇEK:1/4	AKS4003	80 HEMYÜZ GENLEŞME YAKASI (EPDM) GASKET (EPDM)	FS50ECO-HYK.80	100 ad / paket
 ÖLÇEK:1/4	AKS1501	100 HEMYÜZ GENLEŞME YAKASI (EPDM) GASKET (EPDM)	FS50ECO-HYK.100	100 ad / paket
 ÖLÇEK:1/4	AKS1502	120 HEMYÜZ GENLEŞME YAKASI (EPDM) GASKET (EPDM)	FS50ECO-HYK.120	100 ad / paket
 ÖLÇEK:1/4	AKS4011	135 HEMYÜZ GENLEŞME YAKASI (EPDM) GASKET (EPDM)	FS50ECO-HYK.135	100 ad / paket

AKSESUAR ACCESSORY	STOK KODU REFERENCE CODE	AKSESUAR ADI DESCRIPTION	AKSESUAR KODU PRODUCT CODE	PAKET PACK
 ÖLÇEK:1/4	AKS4014	150 HEMÜZ GENLEŞME YAKASI (EPDM) GASKET (EPDM)	FS50ECO-HYK.150	100 ad / paket
 ÖLÇEK:1/4	03 070503	60'LİK GENLEŞME U YAKA (EPDM) GASKET (EPDM)	FS50ECO-UYK.60	100 ad / paket
 ÖLÇEK:1/4	AKS1506	80'LİK U YAKA (EPDM) GASKET (EPDM)	FS50ECO-UYK.80	100 ad / paket
 ÖLÇEK:1/4	AKS4026	100'LÜK U YAKA (EPDM) GASKET (EPDM)	FS50ECO-UYK.100	100 ad / paket
 ÖLÇEK:1/4	AKS4027	120'LİK U YAKA (EPDM) GASKET (EPDM)	FS50ECO-UYK.120	100 ad / paket
 ÖLÇEK:1/4	AKS4029	135'LİK U YAKA (EPDM) GASKET (EPDM)	FS50ECO-UYK.135	100 ad / paket
 ÖLÇEK:1/5	AKS4032	150'LİK U YAKA (EPDM) GASKET (EPDM)	FS50ECO-UYK.150	100 ad / paket
 ÖLÇEK:1/4	AKS1495	80'LİK KIRLANGIÇ YAKA (EPDM) INTERLACED GASKET (EPDM)	FS50ECO-KG.80 5121 NOLU PROFİL İÇİN	100 ad / paket
 ÖLÇEK:1/4	AKS1497	100'LÜK KIRLANGIÇ YAKA (EPDM) INTERLACED GASKET (EPDM)	FS50ECO-KG.100 8454 NOLU PROFİL İÇİN FOR PROFILE NO 8454	100 ad / paket
 ÖLÇEK:1/4	AKS1498	120'LÜK KIRLANGIÇ YAKA (EPDM) INTERLACED GASKET (EPDM)	FS50ECO-KG.120 5095 NOLU PROFİL İÇİN	100 ad / paket

AKSESUAR ACCESSORY	STOK KODU REFERENCE CODE	AKSESUAR ADI DESCRIPTION	AKSESUAR KODU PRODUCT CODE	PAKET PACK
	AKS646	CEPHE MAKASI (10") FACADE TRUSS (10")	FS50ECO-CMW.646	6 tk / 1 paket
	AKS647	CEPHE MAKASI (12") FACADE TRUSS (12")	FS50ECO-CMW.647	
	AKS648	CEPHE MAKASI (14") FACADE TRUSS (14")	FS50ECO-CMW.648	
	AKS649	CEPHE MAKASI (16") FACADE TRUSS (16")	FS50ECO-CMW.649	
	AKS650	CEPHE MAKASI (18") FACADE TRUSS (18")	FS50ECO-CMW.650	
	AKS651	CEPHE MAKASI (20") FACADE TRUSS (20")	FS50ECO-CMW.651	
	AKS652	CEPHE MAKASI (22") FACADE TRUSS (22")	FS50ECO-CMW.652	
	AKS653	CEPHE MAKASI (24") FACADE TRUSS (24")	FS50ECO-CMW.653	
	AKS654	CEPHE MAKASI (26") FACADE TRUSS (26")	FS50ECO-CMW.654	
	AKS644	AYARLI KADEMELİ MAKAS (3 KADEME) ÇELİK ADJUSTABLE (3 LEVEL) STEEL	FS50ECO-AKM.644	5 ad / paket
	AKS645	AYARLI KADEMELİ MAKAS (5 KADEME) ÇELİK ADJUSTABLE (5 LEVEL) STEEL	FS50ECO-AKM.645	
	AKS500	AYARLI KADEMELİ MAKAS (3 KADEME) SAC ADJUSTABLE (3 LEVEL) STEEL	FS50ECO-AKM.499	10 ad / paket
	AKS499	AYARLI KADEMELİ MAKAS (5 KADEME) SAC ADJUSTABLE (5 LEVEL) STEEL	FS50ECO-AKM.500	
	AKS642	SINIRLANDIRICI ÇELİK MAKAS 160 GRADER STEEL TRUSS-160	FS50ECO-SM.642	10 ad / paket
	AKS643	SINIRLANDIRICI ÇELİK MAKAS 220 GRADER STEEL TRUSS-200	FS50ECO-SM.643	
	AKS753	AYARLI KARŞILIK ADJUSTABLE OPPOSITE	FS50ECO-CSK.205	100 ad / paket
	AKS754	CEPHE SABİT KARŞILIK FIXED OPPOSITE	FS50ECO-CSK.206	100 ad / paket
	AKS7972	KARŞILIK ALTI BESLEME SUB-OPPOSITE FEED	FS50ECO-CKB.207	100 ad / paket
	AKS7289	AYARLI TİJ PİM ADJUSTABLE STEM BAR PIN	FS50ECO-AP.89	100 ad / paket

AKSESUAR ACCESSORY	STOK KODU REFERENCE CODE	AKSESUAR ADI DESCRIPTION	AKSESUAR KODU PRODUCT CODE	PAKET PACK
	AKS739	SABİT TİJ PİMİ FIXED STEM BAR PIN	FS50ECO-İP.100	100 ad / paket
	AKS4265	HAREKET TRANSFER KÖŞE PARÇASI DYNAMIC TRANSFER CORNER PART	FS50ECO-KIT.162	1 ad / paket
	AKS7290	CEPHE GEARBOX FACADE GEARBOX	FS50ECO-CG.7290	1 ad / paket
	AKS755	TİJ BAĞLANTI PARÇASI STEM BAR CONNECTION PART	FS50ECO-ÇDB.222	1 ad / paket
	AKS7291	TEK YÖNLÜ İLETİM GÖVDESİ ONE WAY COMMUNICATION BODY	FS50ECO-TYG.	1 ad / paket
	AKS137	FORZA BÜKÜMLÜ CEPHE KOLU SLOTLU (NATUREL) FORZA FACADE HANDLE (NATURAL)	FS50ECO-FCK.880	1 ad / paket
	AKS138	FORZA BÜKÜMLÜ CEPHE KOLU SLOTLU (BEYAZ) FORZA FACADE HANDLE (WHITE)	FS50ECO-FCK.881	
	AKS139	FORZA BÜKÜMLÜ CEPHE KOLU SLOTLU (SİYAH) FORZA FACADE HANDLE (BLACK)	FS50ECO-FCK.882	
	AKS140	FORZA BÜKÜMLÜ CEPHE KOLU MAÇALI (NATUREL) FORZA FACADE HANDLE (NATURAL)	FS50ECO-FCK.883	1 ad / paket
	AKS141	FORZA BÜKÜMLÜ CEPHE KOLU MAÇALI (BEYAZ) FORZA FACADE HANDLE (WHITE)	FS50ECO-FCK.884	
	AKS142	FORZA BÜKÜMLÜ CEPHE KOLU MAÇALI (SİYAH) FORZA FACADE HANDLE (BLACK)	FS50ECO-FCK.885	
	AKS135	FORZA EFOR CEPHE KOLU SLOTLU (NATUREL) FORZA EFOR FACADE HANDLE SINGLE LATCH (NATURAL)	FS50ECO-FEK.135	1 ad / paket
	AKS134	FORZA EFOR CEPHE KOLU SLOTLU (BEYAZ) FORZA EFOR FACADE HANDLE SINGLE LATCH (WHITE)	FS50ECO-FEK.134	
	AKS136	FORZA EFOR CEPHE KOLU SLOTLU (SİYAH) FORZA EFOR FACADE HANDLE SINGLE LATCH (BLACK)	FS50ECO-FEK.136	
	AKS131	FORZA EFOR CEPHE KOLU MAÇALI (NATUREL) FORZA EFOR FACADE HANDLE (NATURAL)	FS50ECO-FEK.131	1 ad / paket
	AKS132	FORZA EFOR CEPHE KOLU MAÇALI (BEYAZ) FORZA EFOR FACADE HANDLE (WHITE)	FS50ECO-FEK.132	
	AKS133	FORZA EFOR CEPHE KOLU MAÇALI(SİYAH) FORZA EFOR FACADE HANDLE (BLACK)	FS50ECO-FEK.133	
	AKS7292	SIRIUS DIŞA AÇILIR KİLİTLİ CEPHE KOLU SIRIUS BLOCK TOP-HUNG CREMONE	FS50ECO-A1167	1 ad / paket

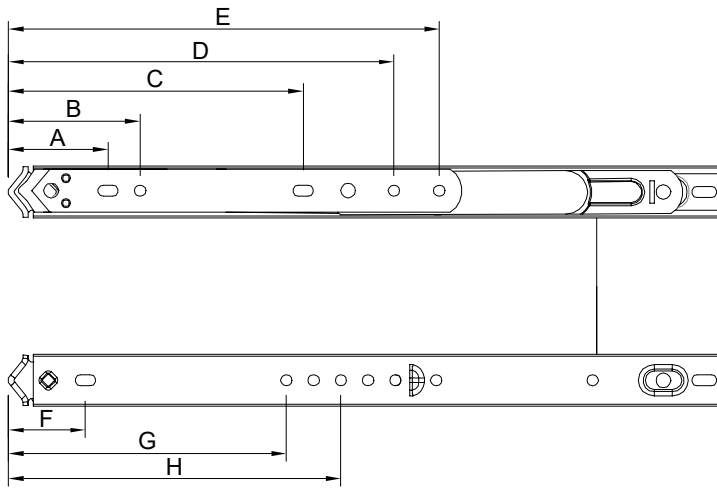
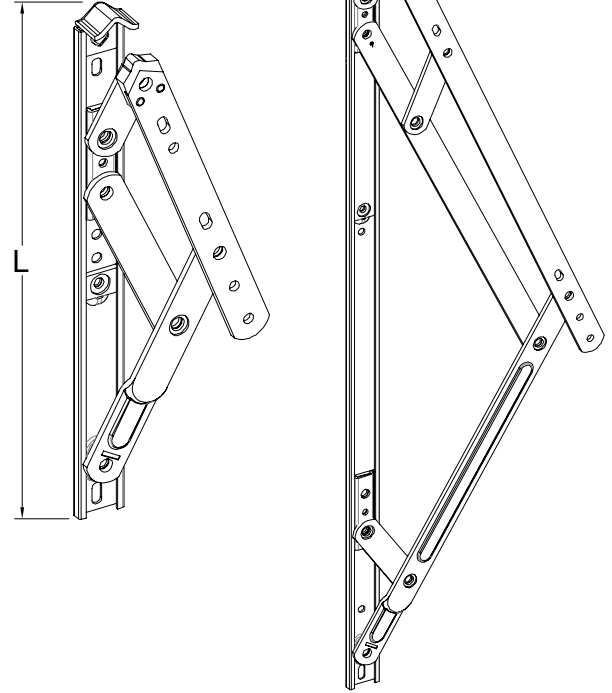
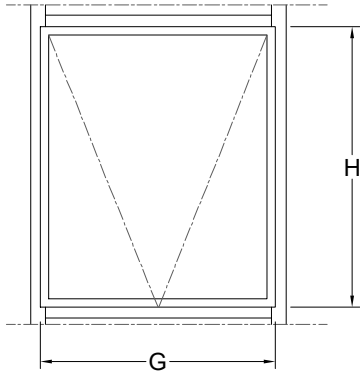
AKSESUAR ACCESSORY	STOK KODU REFERENCE CODE	AKSESUAR ADI DESCRIPTION	AKSESUAR KODU PRODUCT CODE	PAKET PACK
	AKS7293	İTHAL SAĞ KIVRIK CEPHE KOLU IMPORTED OFFSET FACADE HANDLE (RIGHT)	FS50ECO-SKV.7293	1 ad / paket
	AKS7294	İTHAL SOL KIVRIK CEPHE KOLU IMPORTED OFFSET FACADE HANDLE (LEFT)	FS50ECO-SKV.7294	
	AKS7296	İTHAL ÇİFT DİLLİ SÖKÜLEBİLİR KOL MAÑŞETİ IMPORTED SIRIUS FACADE HANDLE	FS50ECO-SKM.7296	1 ad / paket
	AKS7297	İTHAL TAK-ÇIKAR KOL IMPORTED DETACHABLE HANDLE	FS50ECO-TCK.7297	1 ad / paket
	AKS7304	G-U MAÇALI CEPHE KOLU G-U FACADE HANDLE	FS50ECO-GMK.7304	1 ad / paket
	AKS119	MAFSALLI SİLİKON CEPHE KOLU FACADE STRUCTURAL FACADE HANDLE	FS50ECO-MK.119	1 ad / paket
	AKS4174	MAFSALLI KAPAKLI CEPHE KOLU FACADE COVERED HANDLE	FS50ECO-MK.4174	
	AKS7298	G-U SECURISTYLE CEPHE MAKASI (10") G-U SECURISTYLE FACADE TRUSS (10")	FS50ECO-GSM.7298	6 tk / paket
	AKS7973	G-U SECURISTYLE CEPHE MAKASI (12") G-U SECURISTYLE FACADE TRUSS (12")	FS50ECO-GSM.7973	
	AKS7974	G-U SECURISTYLE CEPHE MAKASI (16") G-U SECURISTYLE FACADE TRUSS (16")	FS50ECO-GSM.7974	
	AKS7975	G-U SECURISTYLE CEPHE MAKASI (22") G-U SECURISTYLE FACADE TRUSS (22")	FS50ECO-GSM.7975	
	AKS7976	G-U SECURISTYLE CEPHE MAKASI (26") G-U SECURISTYLE FACADE TRUSS (26")	FS50ECO-GSM.7976	
	AKS7299	G-U CEPHE MAKAS AYARLAYICI G-U ADJUSTABLE TRUSS	FS50ECO-GCM.7299	1 ad / paket
	AKS7300	G-U SINIRLANDIRICI MAKAS G-U GRADER TRUSS	FS50ECO-GSM.7300	1 ad / paket
	AKS7301	G-U SABİT KARŞILIK G-U FIXED OPPOSITE	FS50ECO-GDK.7301	1 ad / paket
	AKS7302	G-U KÖŞE TRANSFER BAĞLANTI PARÇASI G-U CORNER TRANSFER CONNECTION PART	FS50ECO-GKT.7302	1 ad / paket

AKSESUAR ACCESSORY	STOK KODU REFERENCE CODE	AKSESUAR ADI DESCRIPTION	AKSESUAR KODU PRODUCT CODE	PAKET PACK
	AKS7303	G-U TİJ KİLİTLEME PARÇASI G-U STEM BAR LOCKING PART	FS50ECO-GKP.7303	1 ad / paket
	AKS7304	G-U MAÇALI CEPHE KOLU G-U FACADE HANDLE	FS50ECO-GMK.7304	1 ad / paket
	AKS7306	İLLBRUCK FS550 DERZ SİLİKONU FS550 ILLBRUCK JOINT SILICONE	FS50ECO-IDS.7306	25 ad / paket
	AKS7307	İLLBRUCK ME220 1 MM EPDM MEMBRAN ME220 ILLBRUCK 1 MM EPDM MEMBRANE	FS50ECO-IMB.7307	900 mt / paket
	AKS7308	İLLBRUCK OTO15 EPDM MEMBRAN YAPIŞTIRICI OTO15 ILLBRUCK EPDM MEMBRAN ADHESIVE	FS50ECO-IMB.7308	12 ad / paket
	AKS1440	POLİÜRETAN DOLGU SOSİS(10mm) POLYURETHANE FILLED GROUTING (10 mm)	FS50ECO-PDS.10	900 mt / paket
	AKS1441	POLİÜRETAN DOLGU SOSİS(15mm) POLYURETHANE FILLED SAUSAGE (15 mm)	FS50ECO-PDS.15	450 mt / paket
	AKS1442	POLİÜRETAN DOLGU SOSİS(20mm) POLYURETHANE FILLED SAUSAGE (20 mm)	FS50ECO-PDS.20	270 mt / paket
	AKS7941	ÇÖRTEN FLUME	FS50ECO-ECO.50	100 ad / paket
	AKS7305	DİLATASYON PROFİL KAPAĞI DILATATION PROFILE COVER	FS50ECO-DPK.50	... ad / paket
	AKS6121	CAM MONTAJ KLİPSİ GLAZING ASSEMBLY CLIP	FS50ECO-CAK.180	100 ad / paket
	AKS810	CAM ÇITA PVC KÖŞE BAĞLANTISI GLAZING BEAD PVC CORNER CONNECTION	FS50ECO-EC.138	1000 ad / paket

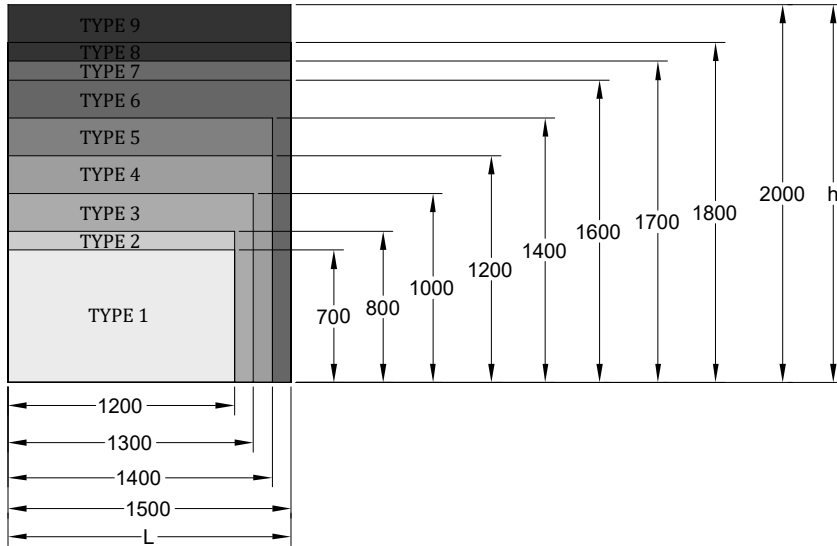
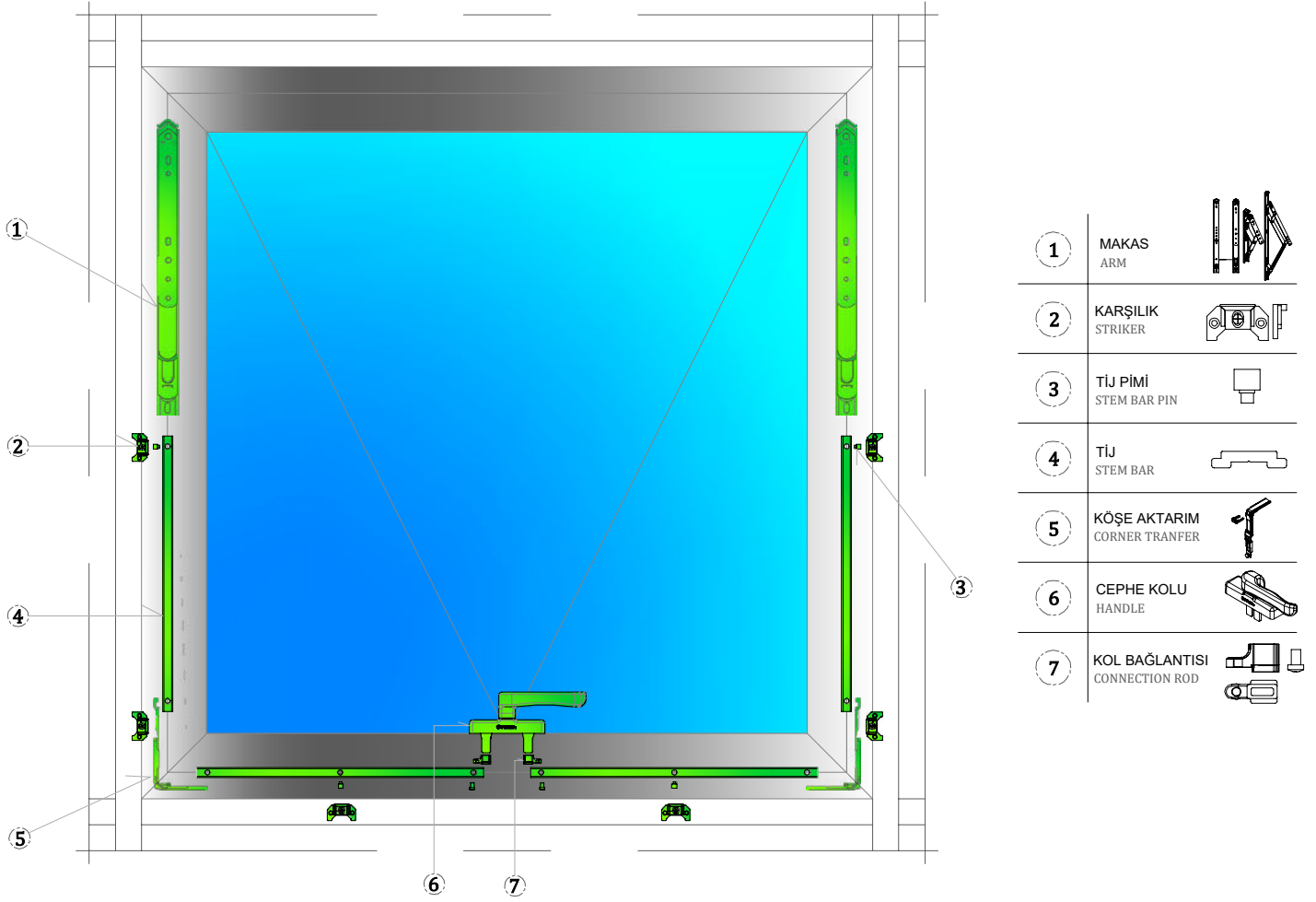
AKSESUAR ACCESSORY	STOK KODU REFERENCE CODE	AKSESUAR ADI DESCRIPTION	AKSESUAR KODU PRODUCT CODE	PAKET PACK
	AKS4170	SETSKURLU KÖŞE GÖNYE TAKIMI 178 CORNER WEDGE GRUP 178	FS50ECO-SKG.178	500 tk / paket
	AKS2292	ý4.2X16 mm YHB M.U.V SAC VÍDA Ø4.2X16 mm SELF DRILLING STRAIGHT TOP SCREW	FS50ECO-SC.937	250 ad / paket
	AKS2347	ý4.8X 25 mm YSB SAC VÍDA Ø4.8X25 mm CURVED TOP SCREW	FS50ECO-SC.937	250 ad / paket
	AKS2348	Ø4.8X32 mm YSB SAC VÍDA Ø4.8X32 mm CURVED TOP SCREW	FS50ECO-SC.938	250 ad / paket
	AKS2349	Ø4.8X38 mm YSB SAC VÍDA Ø4.8X32 mm CURVED TOP SCREW	FS50ECO-SC.939	250 ad / paket
	AKS2350	Ø4.8X45 mm YSB SAC VÍDA Ø4.8X32 mm CURVED TOP SCREW	FS50ECO-SC.940	250 ad / paket
	AKS2351	Ø4.8X50 mm YSB SAC VÍDA Ø4.8X32 mm CURVED TOP SCREW	FS50ECO-SC.941	250 ad / paket
	AKS2352	Ø4.8X60 mm YSB SAC VÍDA Ø4.8X32 mm CURVED TOP SCREW	FS50ECO-SC.942	250 ad / paket
	AKS607	CIVATA & SOMUN & RONDELA (M10 X 90) BOLT-NUT-STAMP (M10X90)	FS50ECO-CSP.607	100 ad / paket

AKSESUAR ACCESSORY	STOK KODU REFERENCE CODE	AKSESUAR ADI DESCRIPTION	AKSESUAR KODU PRODUCT CODE	PAKET PACK
	AKS588	HAREKETLİ VE SABİT U ANKRAJ (50 mm) DYNAMIC AND FIXED U ANCHORAGE (50 mm)	FS50ECO-UA.50	20 ad / paket
	AKS591	HAREKETLİ VE SABİT U ANKRAJ (80 mm) DYNAMIC AND FIXED U ANCHORAGE (80 mm)	FS50ECO-UA.80	20 ad / paket
	AKS589	HAREKETLİ VE SABİT U ANKRAJ (100 mm) DYNAMIC AND FIXED U ANCHORAGE (100 mm)	FS50ECO-UA.100	20 ad / paket
	AKS590	HAREKETLİ VE SABİT U ANKRAJ (120 mm) DYNAMIC AND FIXED U ANCHORAGE (120 mm)	FS50ECO-UA.120	20 ad / paket
	AKS592	HAREKETLİ VE SABİT U ANKRAJ (140 mm) DYNAMIC AND FIXED U ANCHORAGE (140 mm)	FS50ECO-UA.140	20 ad / paket
	AKS594	HAREKETLİ VE SABİT U ANKRAJ (150 mm) DYNAMIC AND FIXED U ANCHORAGE (150 mm)	FS50ECO-UA.150	20 ad / paket
	AKS596	HAREKETLİ VE SABİT U ANKRAJ (160 mm) DYNAMIC AND FIXED U ANCHORAGE (160 mm)	FS50ECO-UA.160	20 ad / paket
	AKS597	HAREKETLİ VE SABİT U ANKRAJ (180 mm) DYNAMIC AND FIXED U ANCHORAGE (180 mm)	FS50ECO-UA.180	20 ad / paket
	AKS593	HAREKETLİ VE SABİT U ANKRAJ (200 mm) DYNAMIC AND FIXED U ANCHORAGE (200 mm)	FS50ECO-UA.200	20 ad / paket
	AKS598	HAREKETLİ VE SABİT U ANKRAJ (300 mm) DYNAMIC AND FIXED U ANCHORAGE (300 mm)	FS50ECO-UA.300	20 ad / paket

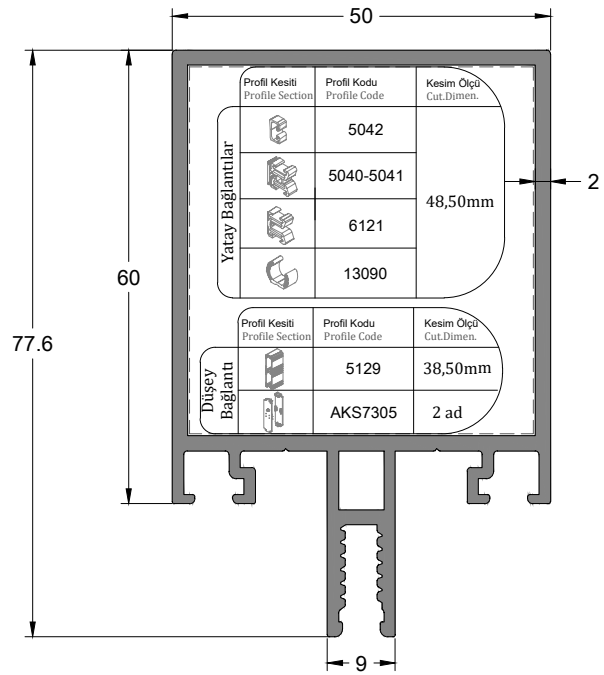
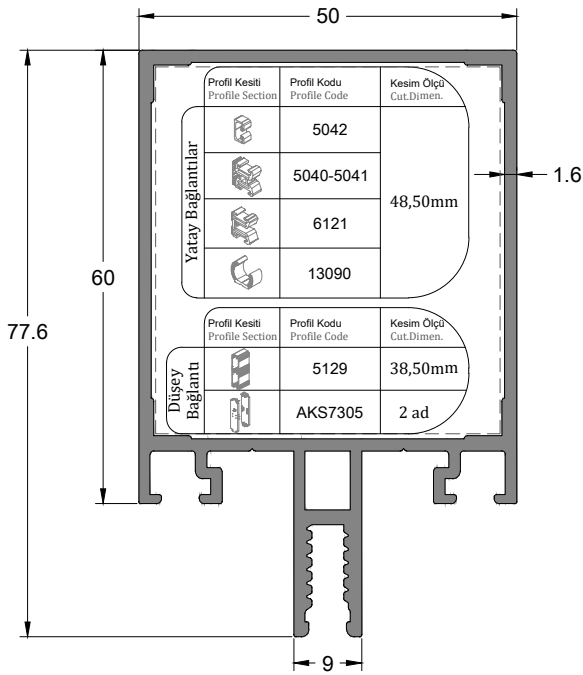
AKSESUAR ACCESSORY	STOK KODU REFERENCE CODE	AKSESUAR ADI DESCRIPTION	AKSESUAR KODU PRODUCT CODE	PAKET PACK
	AKS579	HAREKETLİ VE SABİT L ANKRAJ (50 mm) DYNAMIC AND FIXED L ANCHORAGE (50 mm)	FS50ECO-LA.50	20 ad / paket
	AKS580	HAREKETLİ VE SABİT L ANKRAJ (80 mm) DYNAMIC AND FIXED L ANCHORAGE (80 mm)	FS50ECO-LA.80	20 ad / paket
	AKS581	HAREKETLİ VE SABİT L ANKRAJ (100 mm) DYNAMIC AND FIXED L ANCHORAGE (100 mm)	FS50ECO-LA.100	20 ad / paket
	AKS582	HAREKETLİ VE SABİT L ANKRAJ (120 mm) DYNAMIC AND FIXED L ANCHORAGE (120 mm)	FS50ECO-LA.120	20 ad / paket
	AKS595	HAREKETLİ VE SABİT L ANKRAJ (150 mm) DYNAMIC AND FIXED L ANCHORAGE (150 mm)	FS50ECO-LA.150	20 ad / paket
	AKS584	HAREKETLİ VE SABİT L ANKRAJ (200 mm) DYNAMIC AND FIXED L ANCHORAGE (200 mm)	FS50ECO-LA.200	20 ad / paket
	AKS583	HAREKETLİ VE SABİT L ANKRAJ (240 mm) DYNAMIC AND FIXED L ANCHORAGE (240 mm)	FS50ECO-LA.240	20 ad / paket
	AKS585	HAREKETLİ VE SABİT F ANKRAJ (80 mm) DYNAMIC AND FIXED F ANCHORAGE (80 mm)	FS50ECO-FA.80	20 ad / paket
	AKS586	HAREKETLİ VE SABİT F ANKRAJ (100 mm) DYNAMIC AND FIXED F ANCHORAGE (100 mm)	FS50ECO-FA.100	20 ad / paket
	AKS587	HAREKETLİ VE SABİT F ANKRAJ (120 mm) DYNAMIC AND FIXED F ANCHORAGE (120 mm)	FS50ECO-FA.120	20 ad / paket

CEPHE MAKASI MONTAJ ÖLÇÜLERİ
 FRICTION STAY ASSEMBLY DIMENSIONS


MONTAJ ÖLÇÜLERİ (mm) INSTALLATION DIMENSIONS (mm)											TEKNİK PARAMETRELER TECHNICAL PARAMETERS			
STOK KODU REFERENCE CODE	MAKAS BOYU (L) TRUSS SIZE	A	B	C	D	E	F	G	H	I	MAKS AÇMA DERECESİ MAX OPENING ANGLE	MAKS YÜKSEKLİK MAX HEIGHT	MAKS GENİŞLİK MAX WIDTH	MAKS AĞIRLIK MAX WEIGHT
AKS646	10"	47	61	106	146	167	34	95	119	250	30°	700 mm	1200 mm	50 kg
AKS647	12"	44	58	130	170	190	34	189	258	307	30° / 35°	800 mm	1200 mm	60 kg
AKS648	14"	45	59	155	195	216	34	192	295	343	30° / 35°	1000 mm	1300 mm	70 kg
AKS649	16"	44	58	188	227	248	34	309	355	403	25° / 30°	1200 mm	1400 mm	85 kg
AKS650	18"	43	57	98	221	261	33	x	399	446	25° / 30°	1400 mm	1400 mm	100 kg
AKS651	20"	44	58	99	249	289	34	318	453	501	20° / 25°	1600 mm	1500 mm	130 kg
AKS652	22"	44	58	99	279	319	34	364	499	547	20° / 25°	1700 mm	1500 mm	135 kg
AKS653	24"	44	58	99	300	340	34	410	545	593	20° / 25°	1800 mm	1500 mm	140 kg
AKS654	28"	44	58	99	363	403	34	515	650	698	20°	2000 mm	1500 mm	155 kg

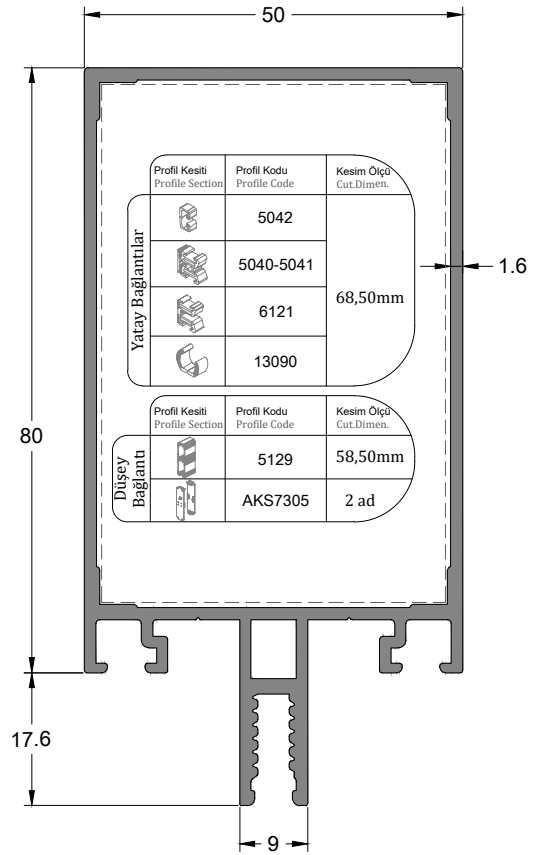
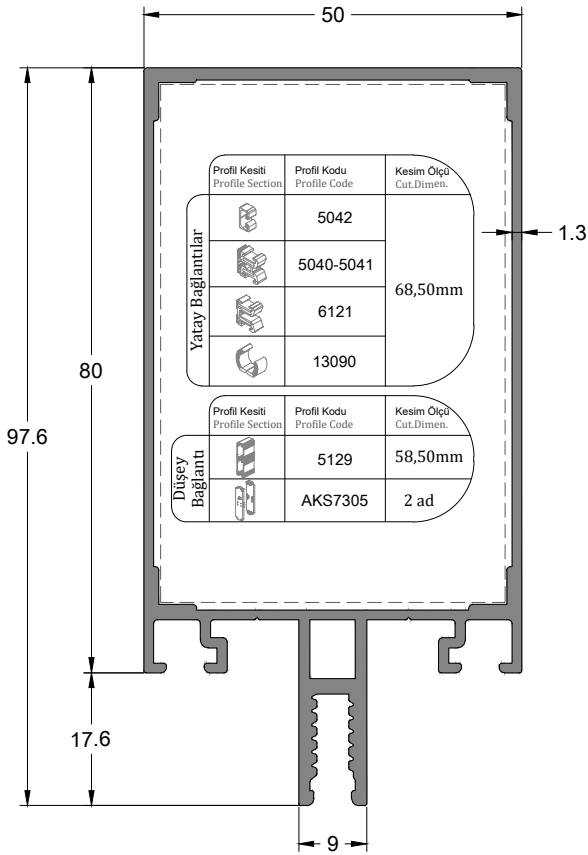
KANAT KİLİTLEME AKSESUARLARI
 SASH LOCKING ACCESSORIES


TİP TYPE	MAKAS ARM	CEPHE KOLU HANDLE	KOL BAĞLANTISI CONNECTION ROD	KARŞILIK STRIKER	PİM PIN	KANAT YAN TAKOZ SUPPORT BLOCK	ÜST KİLİTLEME BURGLAR BOLT	KÖŞE AKTARIM CORNER TRANSFER	LİMİTLEME MAKASI LASER ARM
1	AKS646	1 adet	2 adet	2 adet	2 adet	2 adet			
2	AKS647	1 adet	2 adet	2 adet	2 adet	2 adet			
3	AKS648	1 adet	2 adet	2 adet	2 adet	2 adet	2 adet		
4	AKS649	1 adet	2 adet	2 adet	2 adet	2 adet	2 adet		
5	AKS650	1 adet	2 adet	4 adet	4 adet	2 adet	2 adet	2 adet	
6	AKS651	1 adet	2 adet	4 adet	4 adet	2 adet	2 adet	2 adet	
7	AKS652	1 adet	2 adet	6 adet	6 adet	2 adet	2 adet	2 adet	
8	AKS653	1 adet	2 adet	6 adet	6 adet	2 adet	2 adet	2 adet	
9	AKS654	1 adet	2 adet	6 adet	6 adet	2 adet	2 adet	2 adet	1 adet



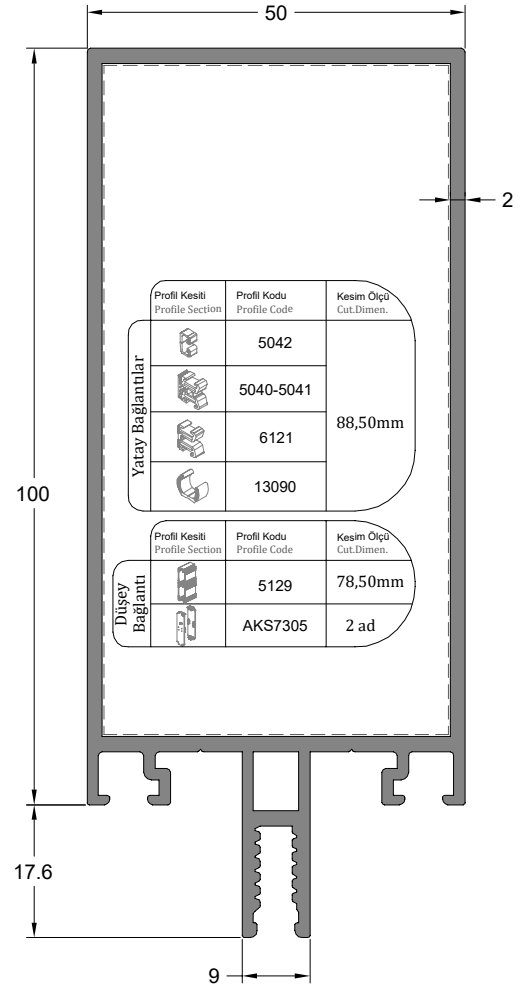
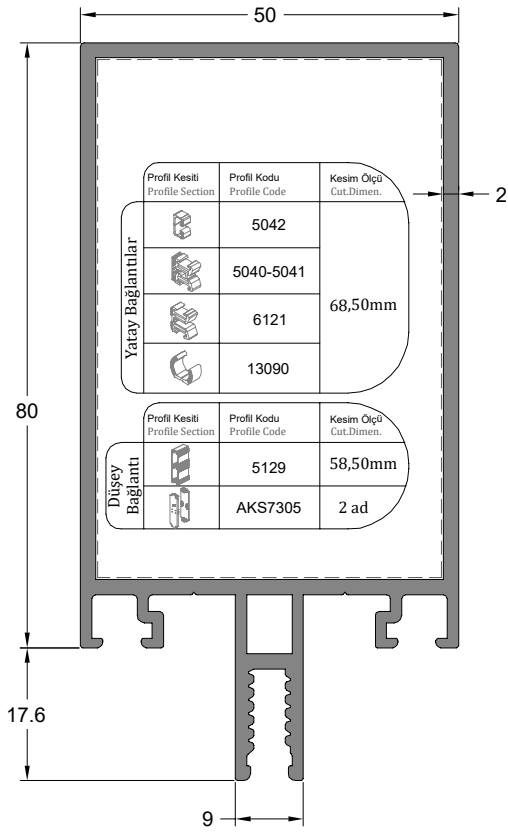
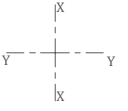
Düşey-Yatay Profili VERTICAL-HORIZONTAL PROFILE	Profil Kodu Profile Code	(kg/mt) Weight	Jx cm ⁴	Jy cm ⁴
	6108	1,334	29,28	15,70

Düşey-Yatay Profili VERTICAL-HORIZONTAL PROFILE	Profil Kodu Profile Code	(kg/mt) Weight	Jx cm ⁴	Jy cm ⁴
	6109	1,498	32,19	17,73



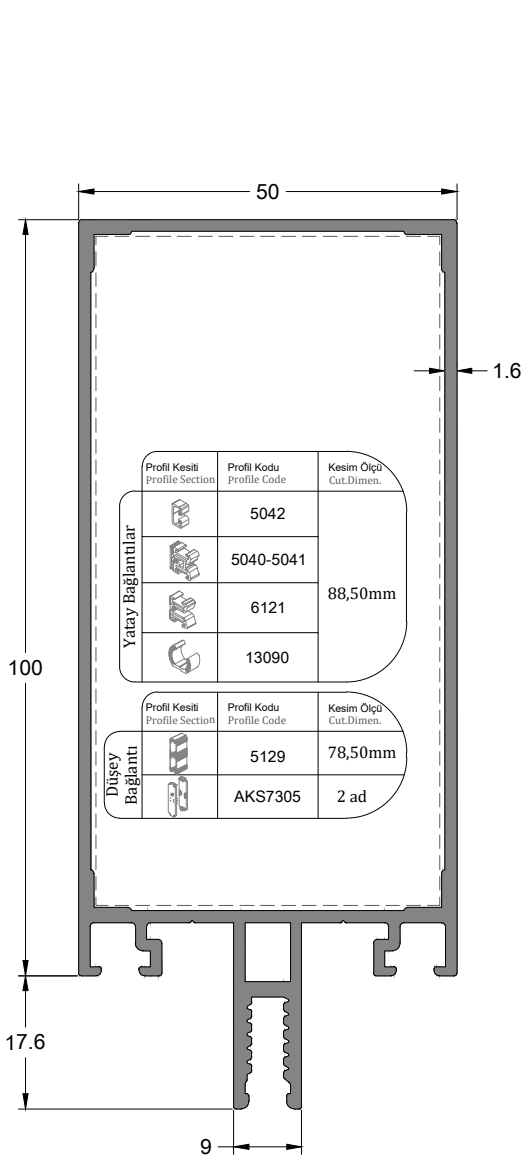
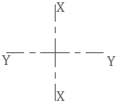
Düşey-Yatay Profili VERTICAL-HORIZONTAL PROFILE	Profil Kodu Profile Code	(kg/mt) Weight	Jx cm ⁴	Jy cm ⁴
	6133	1,369	53,30	17,19

Düşey-Yatay Profili VERTICAL-HORIZONTAL PROFILE	Profil Kodu Profile Code	(kg/mt) Weight	Jx cm ⁴	Jy cm ⁴
	6106	1,508	55,74	19,45

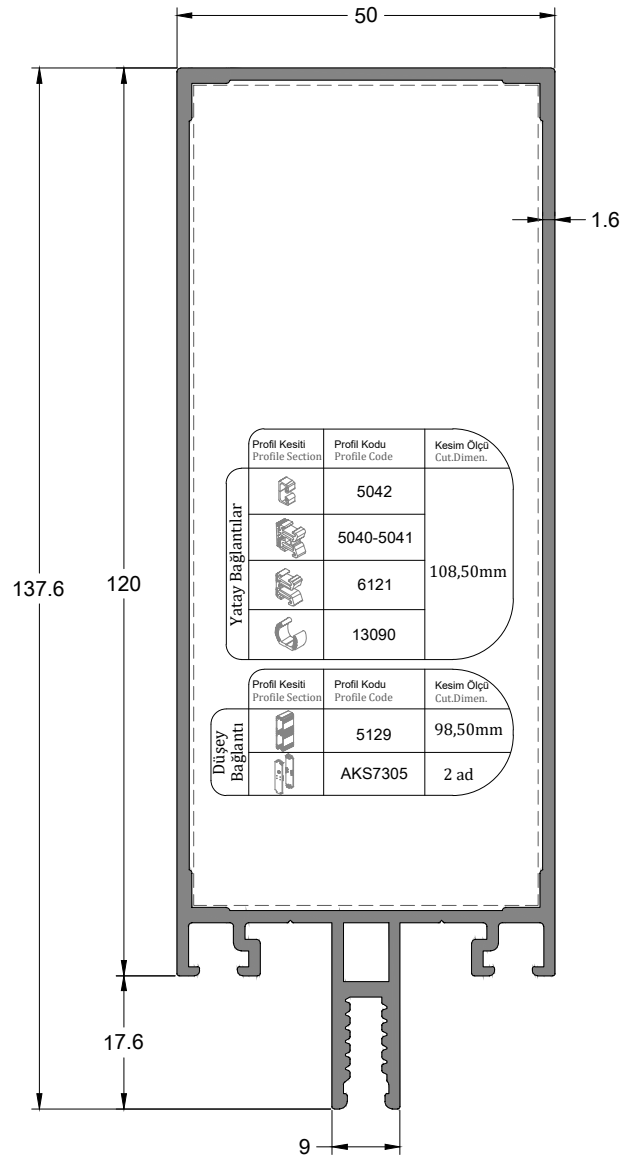


Düşey-Yatay Profili VERTICAL-HORIZONTAL PROFILE	Profil Kodu Profile Code	(kg/mt) Weight	Jx cm ⁴	Jy cm ⁴
	6107	1,715	61,75	22,31

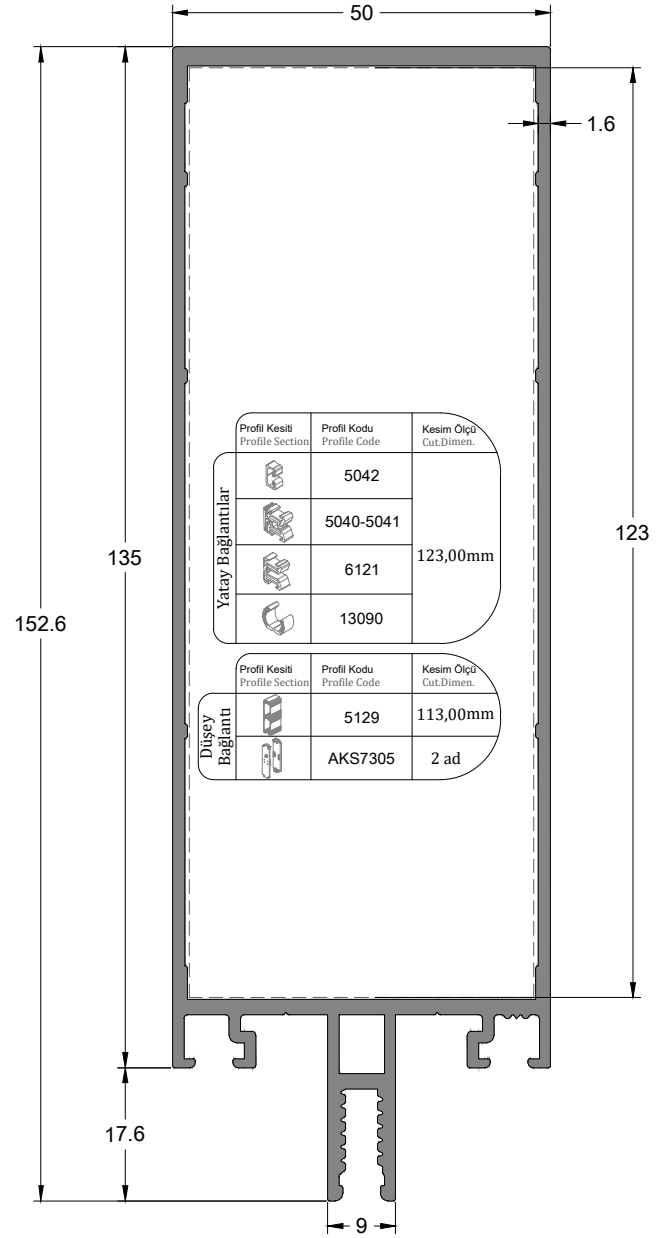
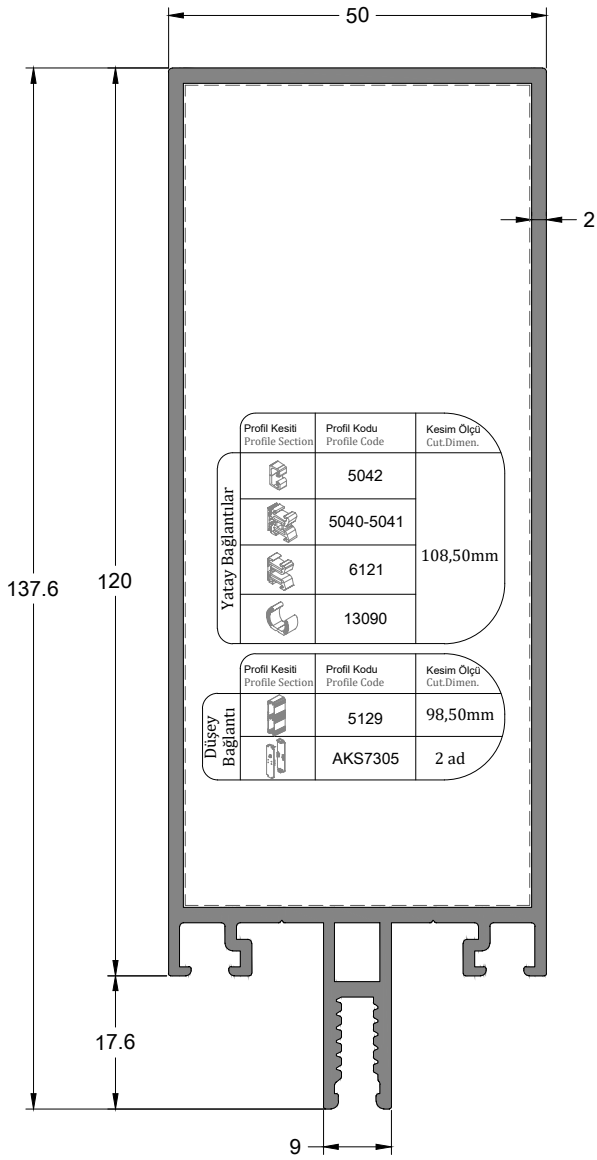
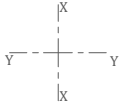
Düşey-Yatay Profili VERTICAL-HORIZONTAL PROFILE	Profil Kodu Profile Code	(kg/mt) Weight	Jx cm ⁴	Jy cm ⁴
	6105	1,931	103,93	26,95



Düsey-Yatay Profili	Profil Kodu Profile Code	(kg/mt) Weight	Jx cm ⁴	Jy cm ⁴
VERTICAL-HORIZONTAL PROFILE	6104	1,681	93,12	23,19

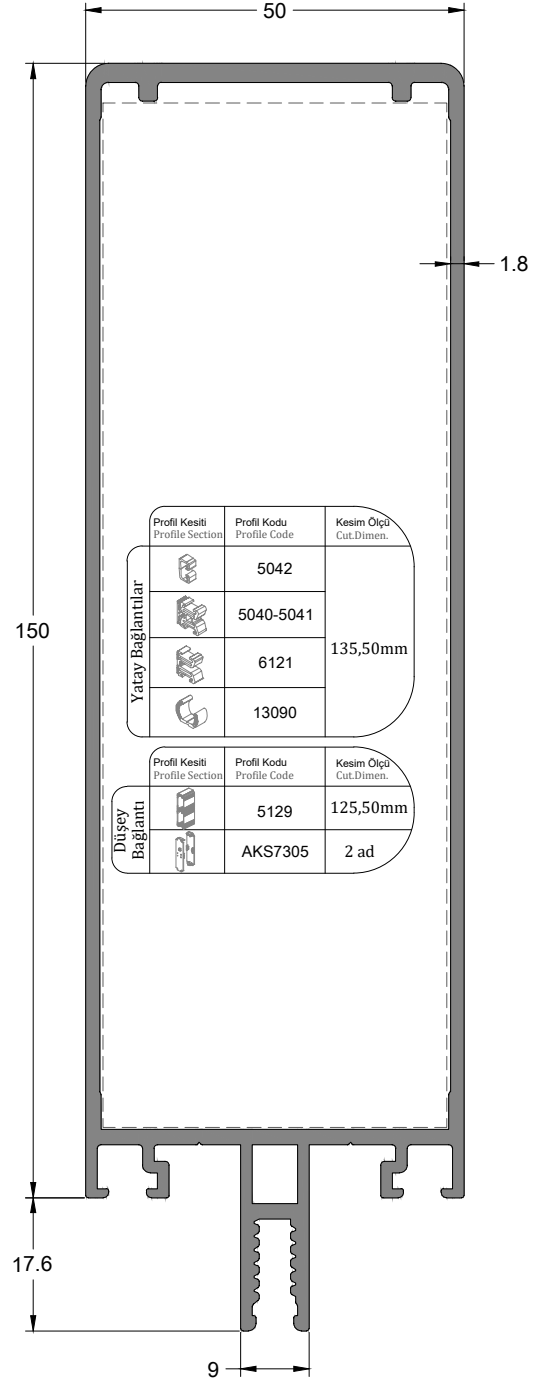
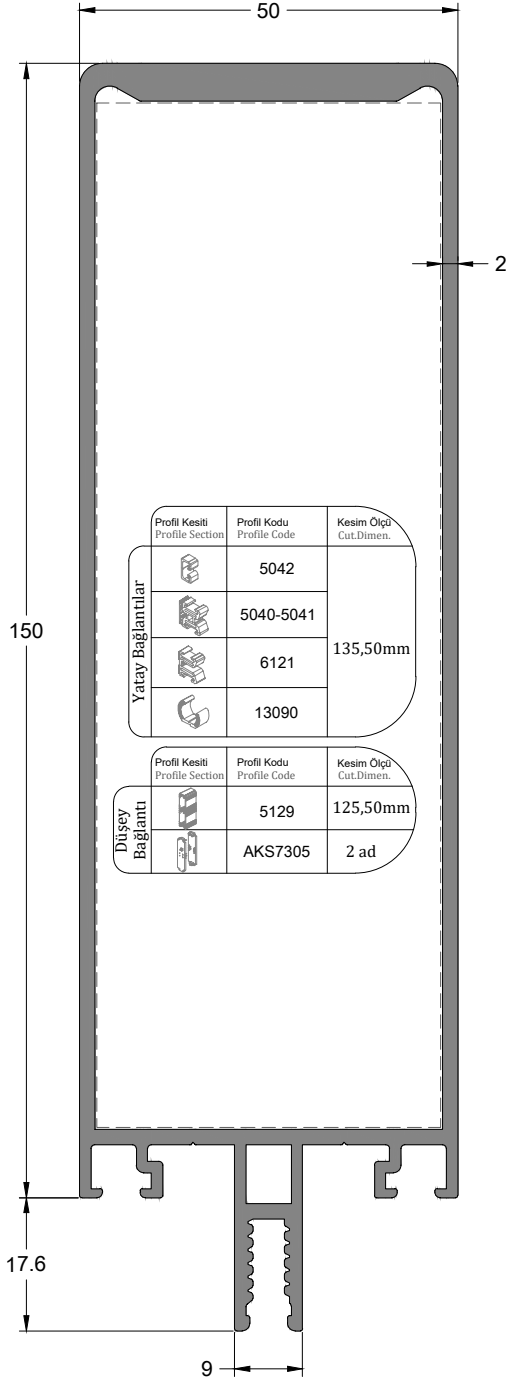
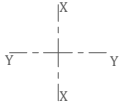


Düsey-Yatay Profili	Profil Kodu Profile Code	(kg/mt) Weight	Jx cm ⁴	Jy cm ⁴
VERTICAL-HORIZONTAL PROFILE	6102	1,854	142,77	26,93



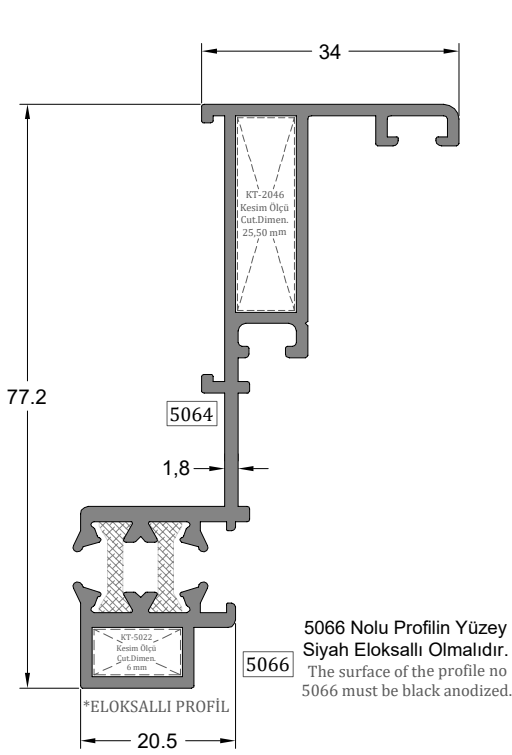
Düsey-Yatay Profili	Profil Kodu	(kg/mt)	Jx cm ⁴	Jy cm ⁴
VERTICAL-HORIZONTAL PROFILE	6103	2,148	160,11	31,52

Düsey-Yatay Profili	Profil Kodu	(kg/mt)	Jx cm ⁴	Jy cm ⁴
VERTICAL-HORIZONTAL PROFILE	9888	2,137	215,15	30,77



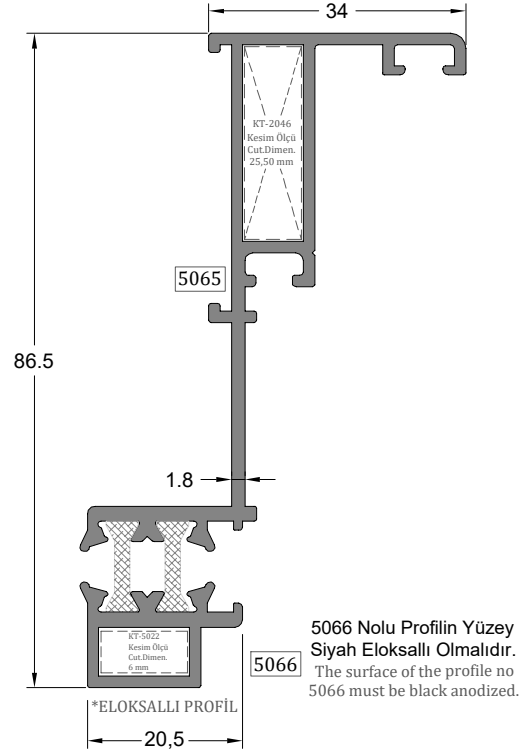
Düşey-Yatay Profili	Profil Kodu Profile Code	(kg/mt) Weight	Jx cm ⁴	Jy cm ⁴
VERTICAL-HORIZONTAL PROFILE	6101	2,796	345,36	39,97

Düşey-Yatay Profili	Profil Kodu Profile Code	(kg/mt) Weight	Jx cm ⁴	Jy cm ⁴
VERTICAL-HORIZONTAL PROFILE	6100	2,421	287,96	36,26



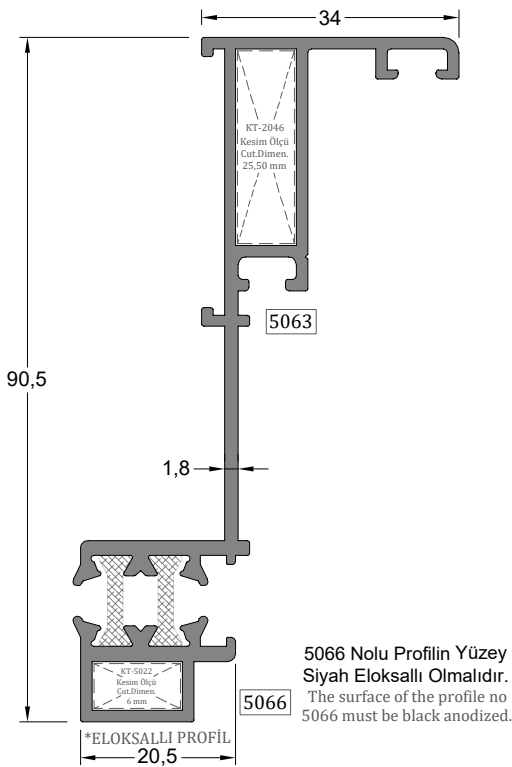
Kapaklı Cephe içi Kasa Profili	Profil Kodu Profile Code	(kg/mt) Weight	Jx cm ⁴	Jy cm ⁴
FRAME PROFILE	5064-5066	1,205	27,56	5,40

5093-5062-5081 profiller ile uyumludur.



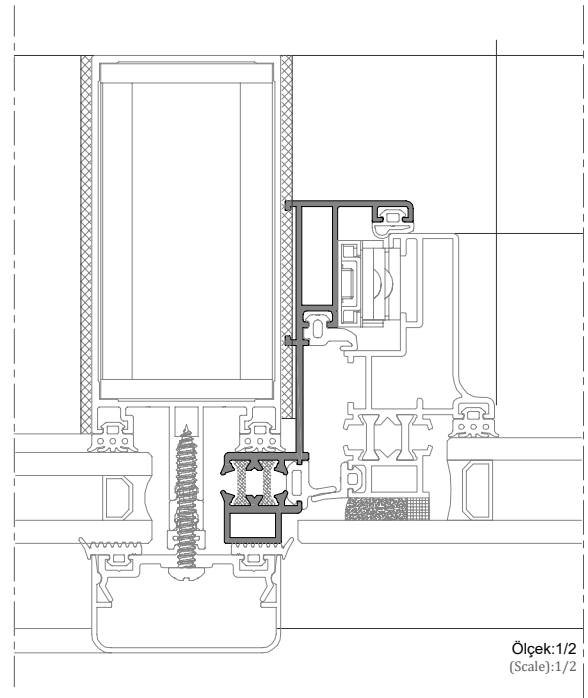
Kapaklı Cephe içi Kasa Profili	Profil Kodu Profile Code	(kg/mt) Weight	Jx cm ⁴	Jy cm ⁴
FRAME PROFILE	5065-5066	1,250	37,26	5,40

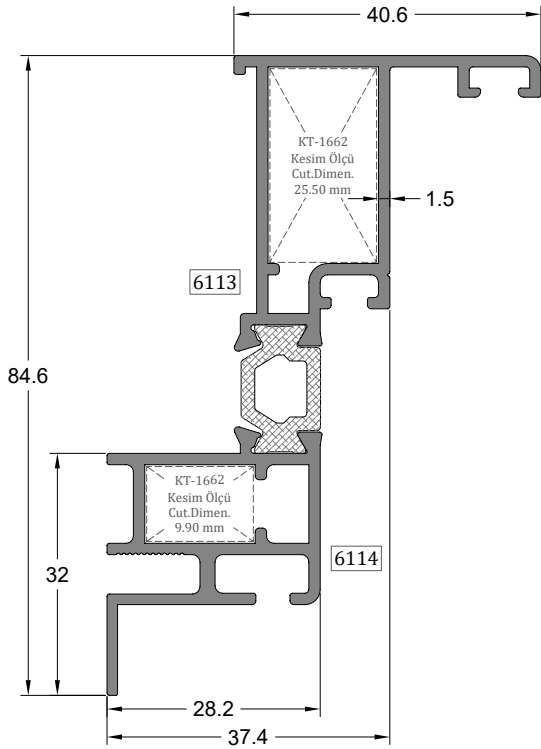
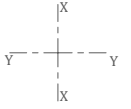
5088-5028 profiller ile uyumludur.



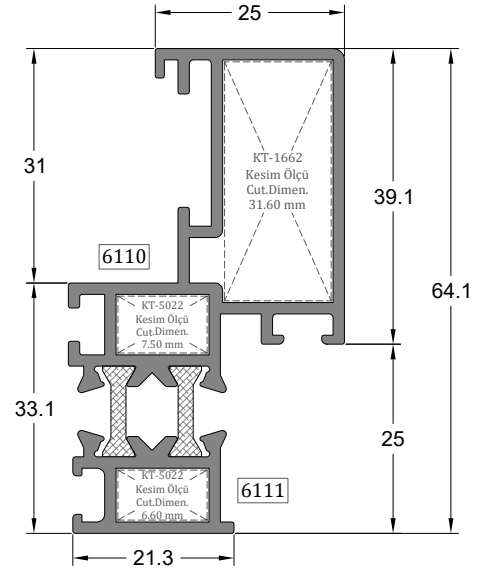
Kapaklı Cephe içi Kasa Profili	Profil Kodu Profile Code	(kg/mt) Weight	Jx cm ⁴	Jy cm ⁴
FRAME PROFILE	5063-5066	1,251	41,99	5,40

5029-5030-5031 profiller ile uyumludur.



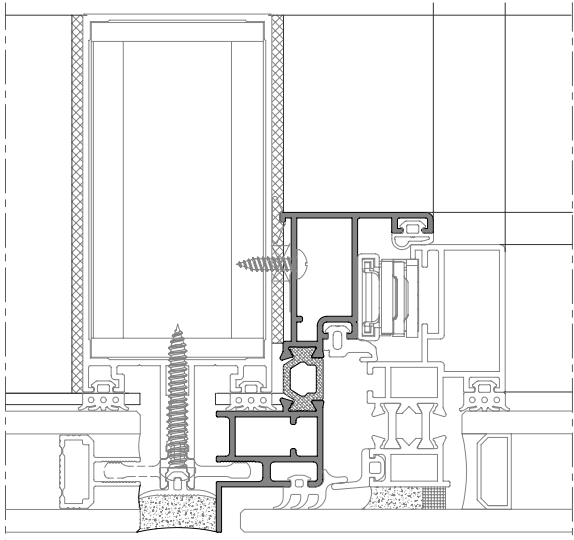


6111 Nolu Profilin Yüzü Siyah Elokısalı Olmalıdır.
 The surface of the profile no 6111 must be black anodized.

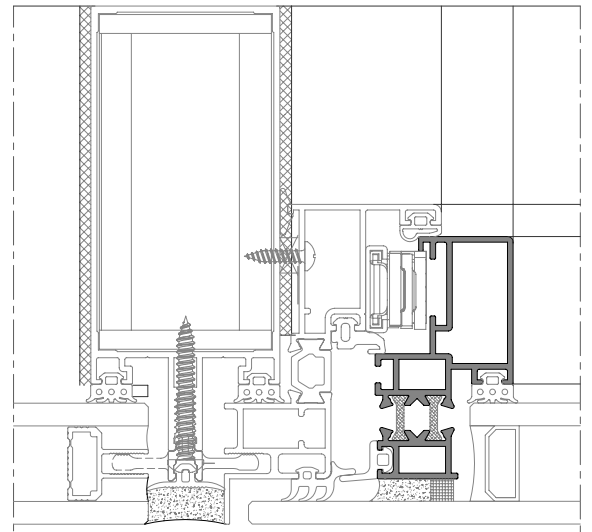


Tek Cam Kaset Profili SINGLE GLAZING CASEDE PROFILE	Profil Kodu Profile Code	(kg/mt) Weight	Jx cm ⁴	Jy cm ⁴
	6113-6114	1,317	29,82	7,74

Yalıtımlı Kaset Profili INSULATED CASEDE PROFILE	Profil Kodu Profile Code	(kg/mt) Weight	Jx cm ⁴	Jy cm ⁴
	6110-6111	1,241	16,61	5,00



Ölçek:1/2
 (Scale):1/2



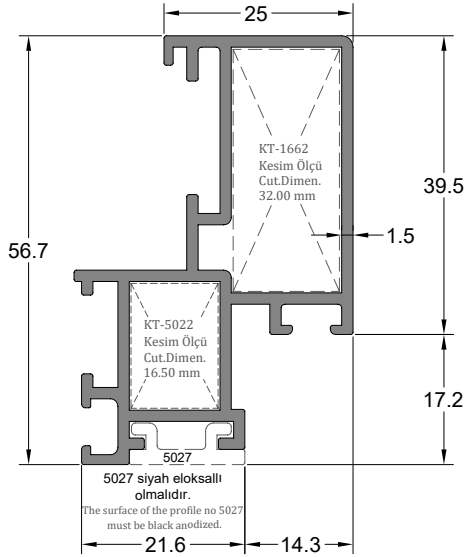
Ölçek:1/2
 (Scale):1/2

NOT: Bonding işlemi için boyalı, elokısalı ürünlerde primer uygulaması ral boya ve elokısal renge göre deęiřmektedir.

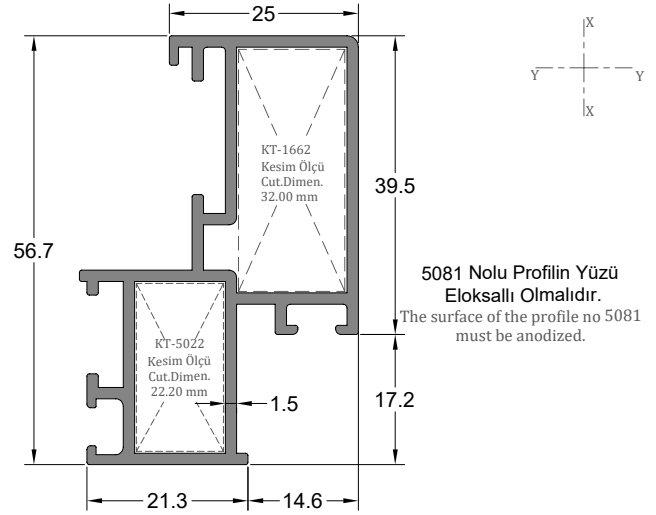
PROFİL SİPARİŐİNDEN ÖNCE CAMI TEDARİK ETTİĐİNİZ FİRMAYA DANIŐARAK SİPARİŐLERİNİZİ GEÇİNİZ !!!

NOTE : Primer application for glazing bonding on powder coated and anodized profiles varies depending on the color.

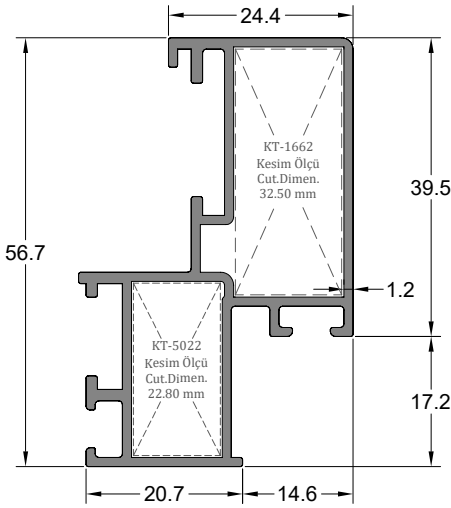
PLEASE CONSULT WITH YOUR GLAZING SUPPLIER BEFORE PLACING YOUR PROFILE ORDERS !!!



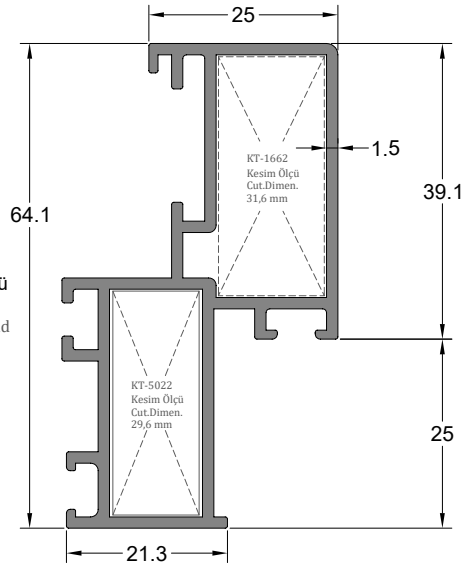
Kaset Profili	Profil Kodu	(kg/mt)	Jx cm ⁴	Jy cm ⁴
CASEDDE PROFILE	5062	0,918	10,08	3,91



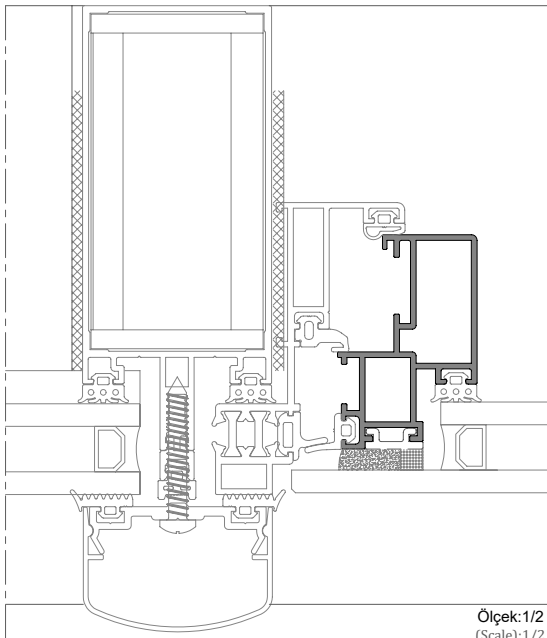
Kaset Profili	Profil Kodu	(kg/mt)	Jx cm ⁴	Jy cm ⁴
CASEDDE PROFILE	5081	0,908	10,46	3,87



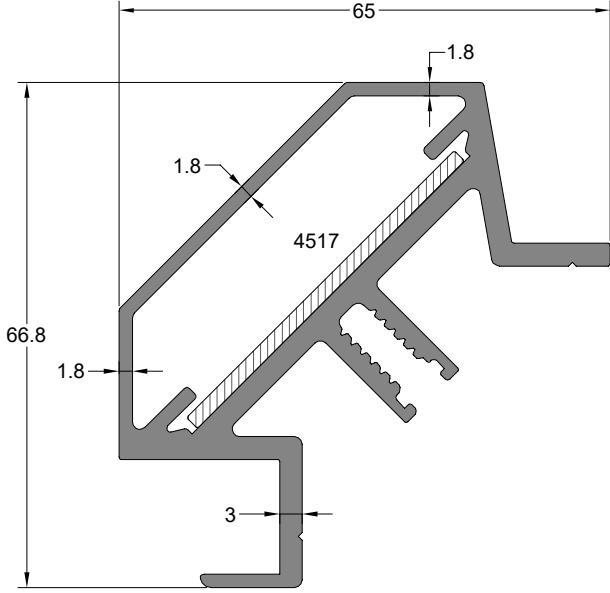
Kaset Profili	Profil Kodu	(kg/mt)	Jx cm ⁴	Jy cm ⁴
CASEDDE PROFILE	5093	0,766	8,86	3,21



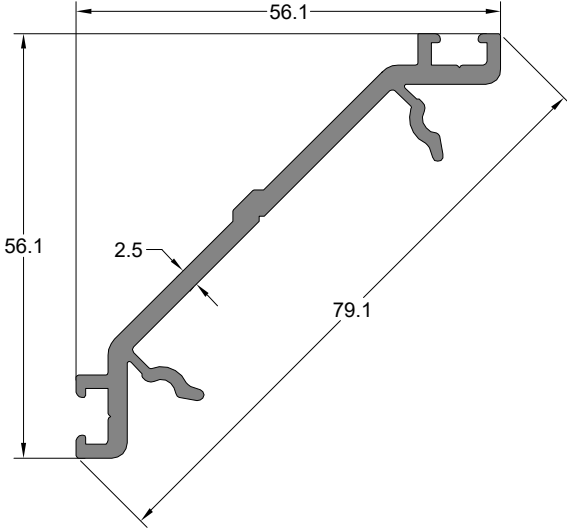
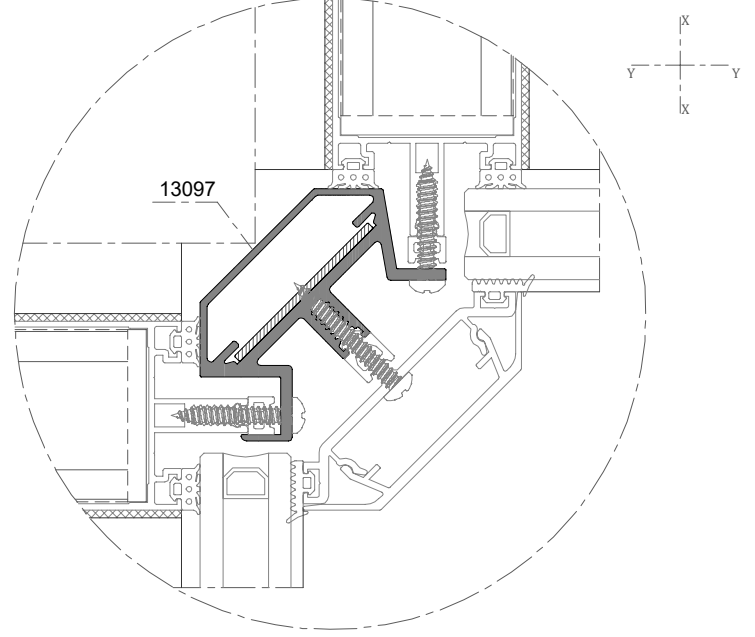
Gizli Kanat Profili	Profil Kodu	(kg/mt)	Jx cm ⁴	Jy cm ⁴
HIDDEN SASH PROFILE	6112	0,985	15,20	3,06


 Ölçek:1/2
 (Scale):1/2

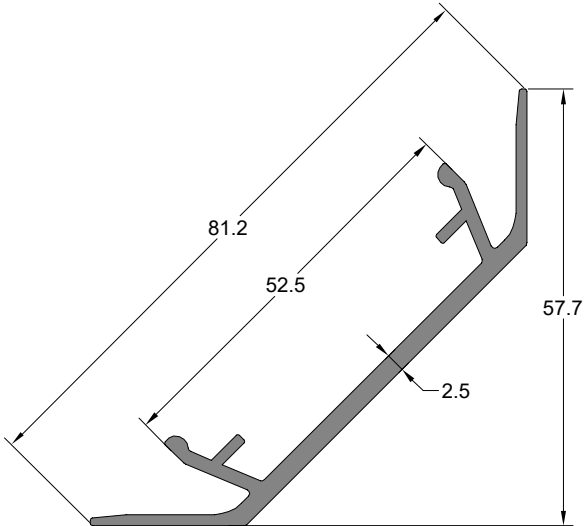
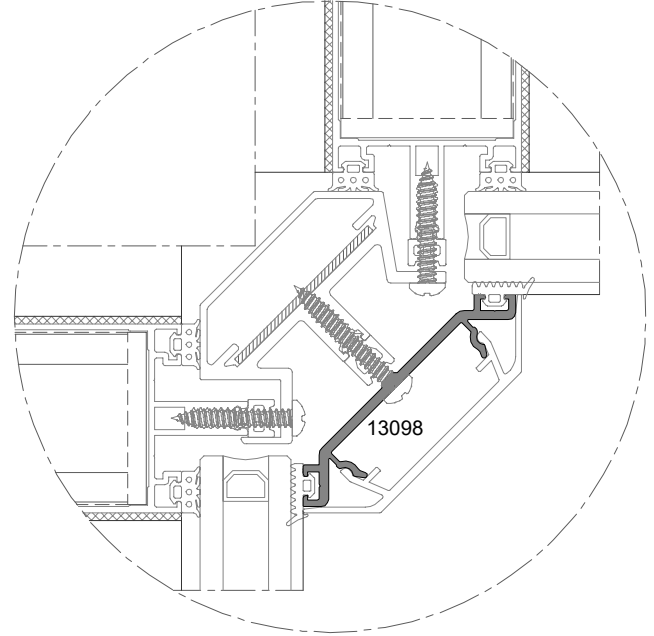
NOT: Bonding işlemi için boyalı, eloksallı ürünlerde primer uygulaması ral boya ve eloksallı renge göre değişmektedir.
PROFİL SİPARİŞİNDEN ÖNCE CAMI TEDARİK ETTİĞİNİZ FİRMAYA DANIŞARAK SİPARİŞLERİNİZİ GEÇİNİZ !!!
 NOTE : Primer application for glazing bonding on powder coated and anodized profiles varies depending on the color.
 PLEASE CONSULT WITH YOUR GLAZING SUPPLIER BEFORE PLACING YOUR PROFILE ORDERS !!!



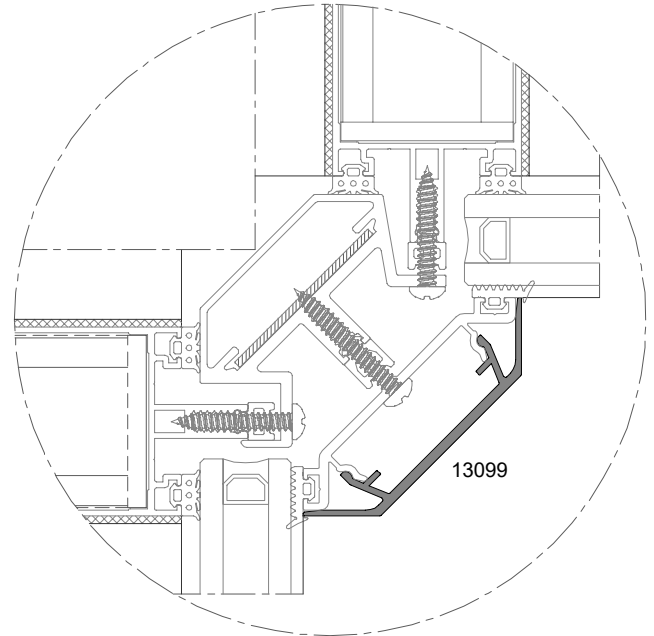
90° İçten Köşe Dönüş Profili	Profil Kodu Profile Code	(kg/mt) Weight
90° CORNER COVER PROFILE	13097	1,779

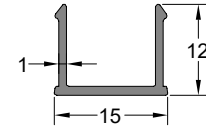
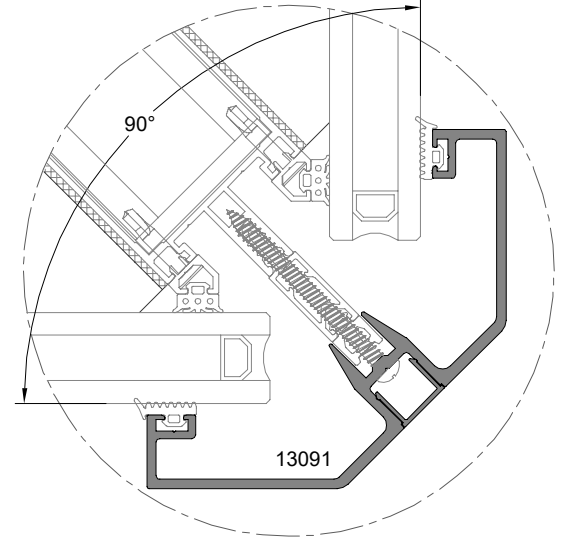
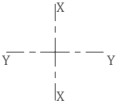
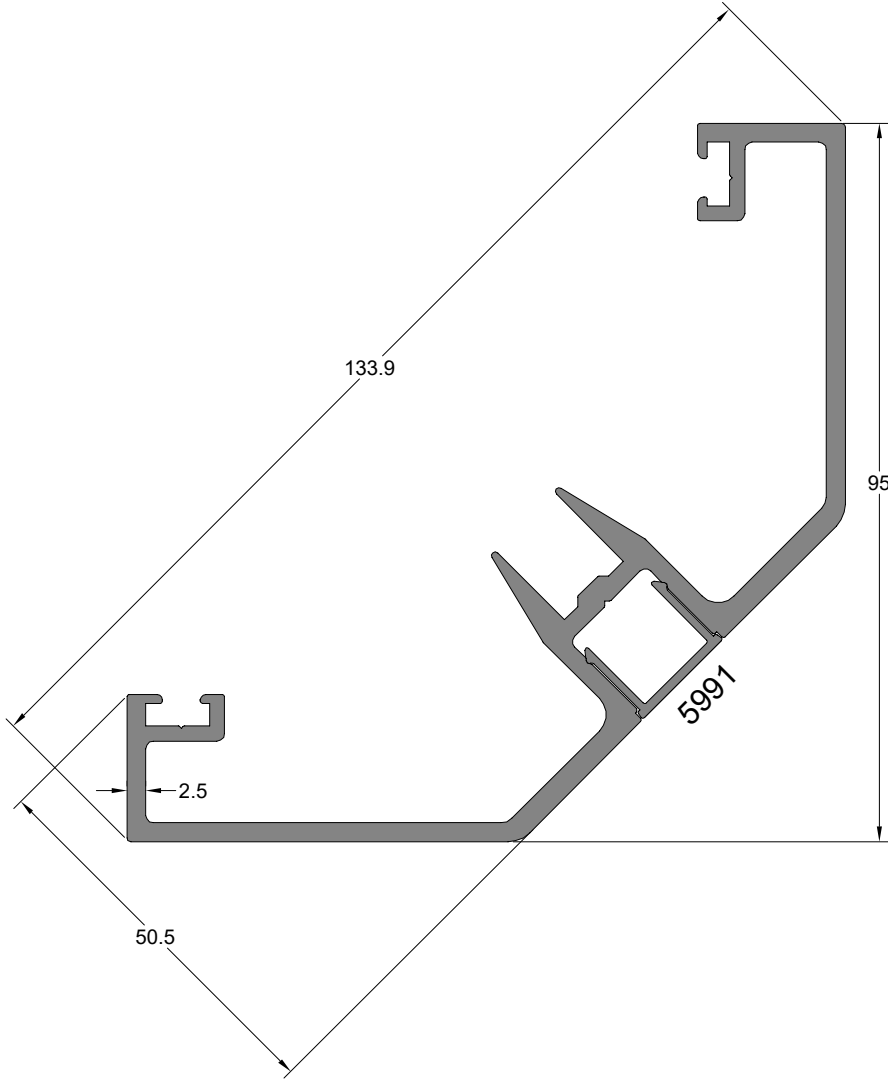


90° İçten Köşe Dönüş Profili	Profil Kodu Profile Code	(kg/mt) Weight
90° CORNER COVER PROFILE	13098	0,749



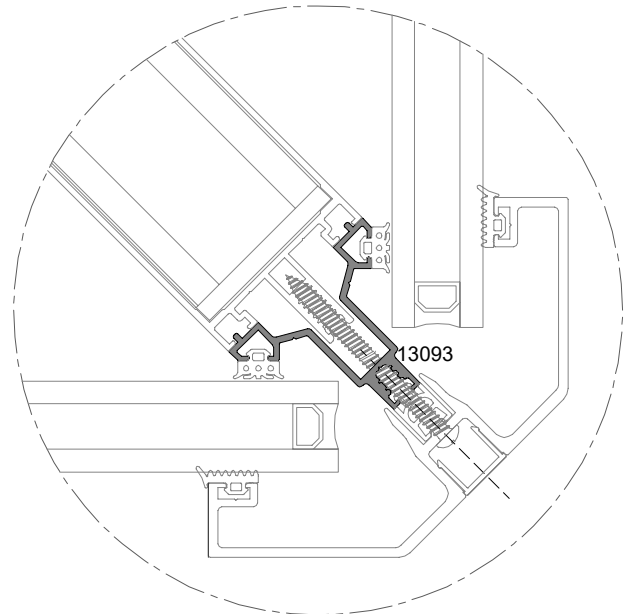
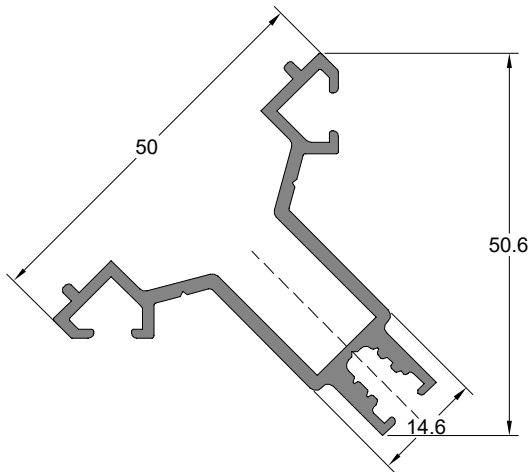
90° İçten Köşe Dönüş Profili	Profil Kodu Profile Code	(kg/mt) Weight
90° CORNER COVER PROFILE	13099	0,688



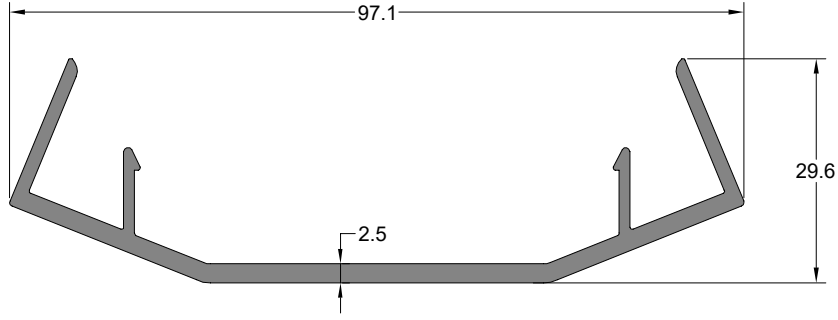
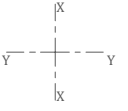


90° Dıştan Köşe Dönüş Kapak Profili	Profil Kodu Profile Code	(kg/mt) Weight
90° CORNER COVER PROFILE	13091	1,950

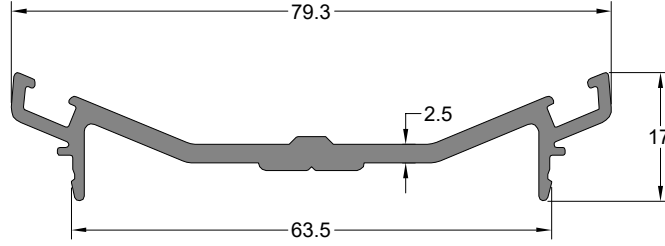
Kapak Profili COVER PROFILE	Profil Kodu Profile Code	(kg/mt) Weight
	5991	0,108



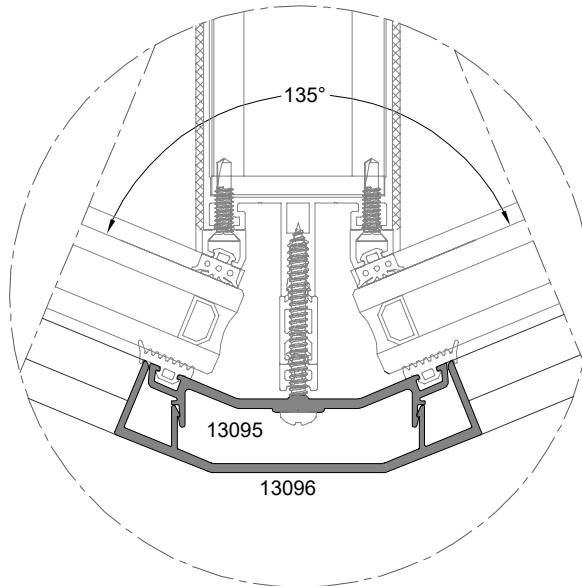
90° Dıştan Köşe Dönüş Adaptör Profili	Profil Kodu Profile Code	(kg/mt) Weight
90° CORNER COVER ADAPTER PROFILE	13093	0,687

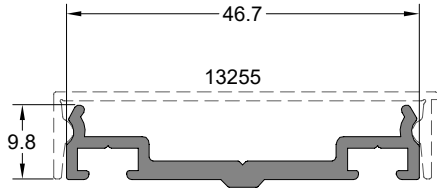
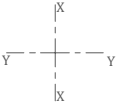


135° Köşe Dönüş Profili	Profil Kodu	(kg/mt)
135° CORNER PROFILE	Profile Code	Weight
	13096	0,945

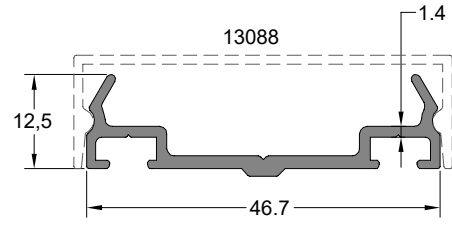


135° Köşe Dönüş Baskı Profili	Profil Kodu	(kg/mt)
135° CORNER EXTENSION PROFILE	Profile Code	Weight
	13095	0,728

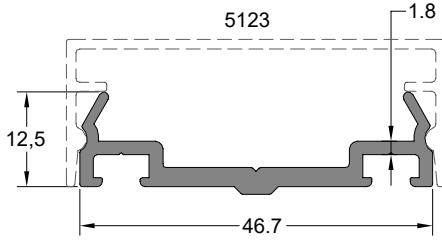




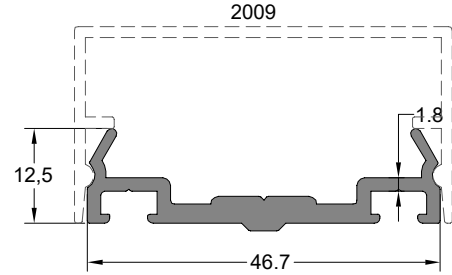
Kapak Altı Profili	Profil Kodu	(kg/mt)
COVER UNDER PROFILE	Profile Code	Weight
	13254	0,385



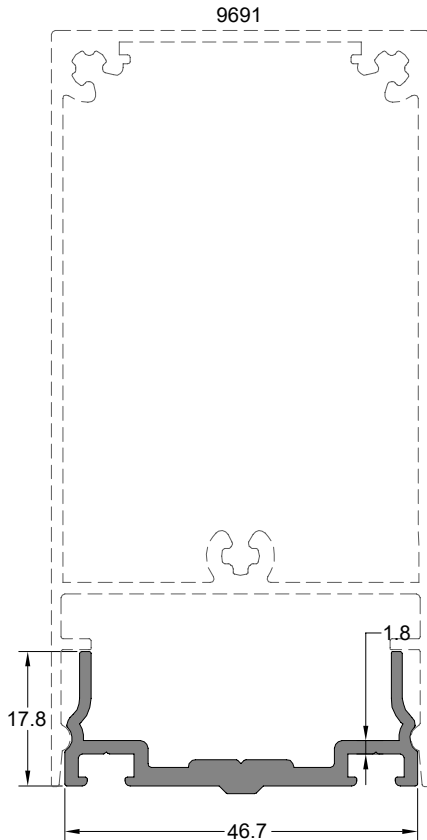
Kapak Altı Profili	Profil Kodu	(kg/mt)
COVER UNDER PROFILE	Profile Code	Weight
	7619	0,337



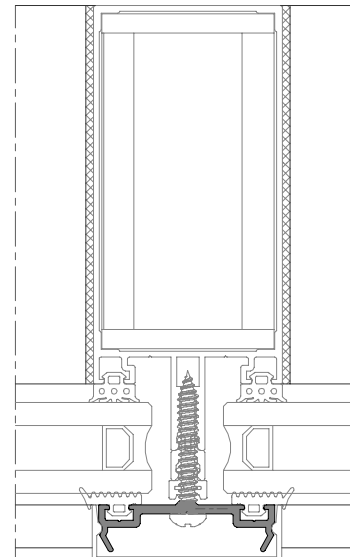
Kapak Altı Profili	Profil Kodu	(kg/mt)
COVER UNDER PROFILE	Profile Code	Weight
	5124	0,430



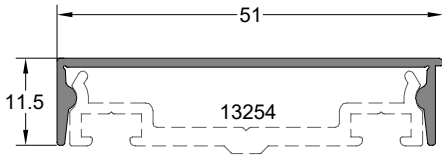
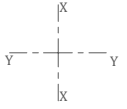
Kapak Altı Profili	Profil Kodu	(kg/mt)
COVER UNDER PROFILE	Profile Code	Weight
	5048	0,466



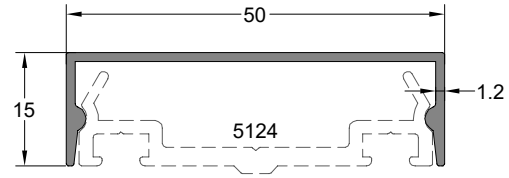
Kapak Altı Profili	Profil Kodu	(kg/mt)
COVER UNDER PROFILE	Profile Code	Weight
	5052	0,515



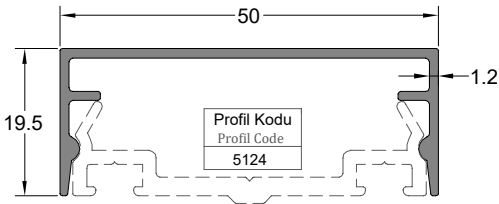
5124
7619
5048
13254



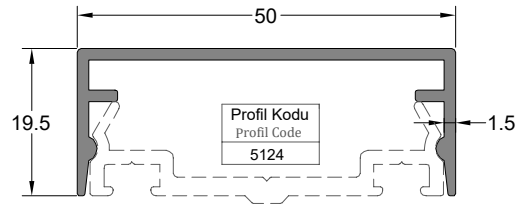
Kapak Profili	Profil Kodu	(kg/mt)
COVER PROFILE	Profile Code	Weight
	13255	0,249



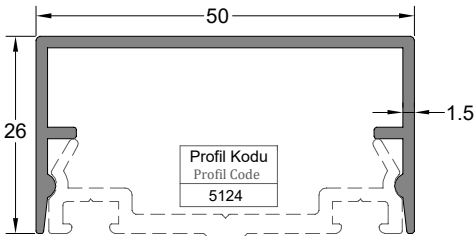
Kapak Profili	Profil Kodu	(kg/mt)
COVER PROFILE	Profile Code	Weight
	13088	0,272



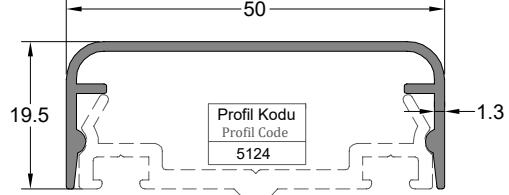
Kapak Profili	Profil Kodu	(kg/mt)
COVER PROFILE	Profile Code	Weight
	5123	0,340



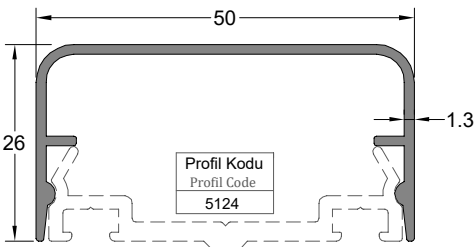
Kapak Profili	Profil Kodu	(kg/mt)
COVER PROFILE	Profile Code	Weight
	2006	0,385



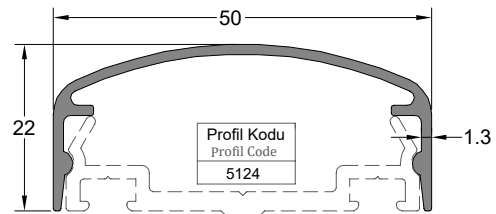
Kapak Profili	Profil Kodu	(kg/mt)
COVER PROFILE	Profile Code	Weight
	2009	0,439



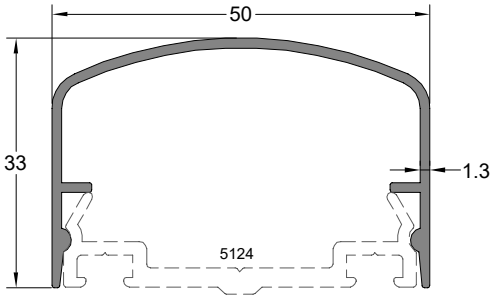
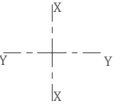
Kapak Profili	Profil Kodu	(kg/mt)
COVER PROFILE	Profile Code	Weight
	5046	0,334



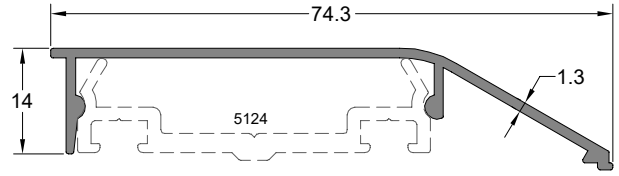
Kapak Profili	Profil Kodu	(kg/mt)
COVER PROFILE	Profile Code	Weight
	5045	0,380



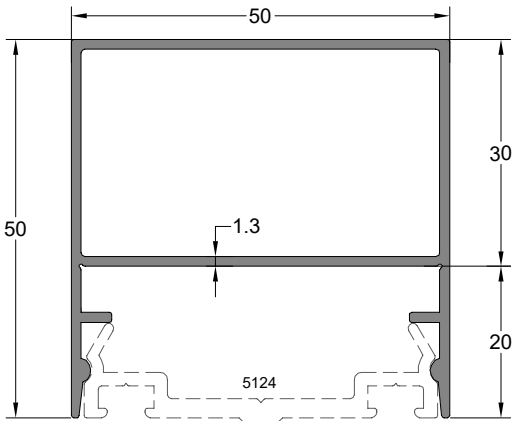
Kapak Profili	Profil Kodu	(kg/mt)
COVER PROFILE	Profile Code	Weight
	2049	0,331



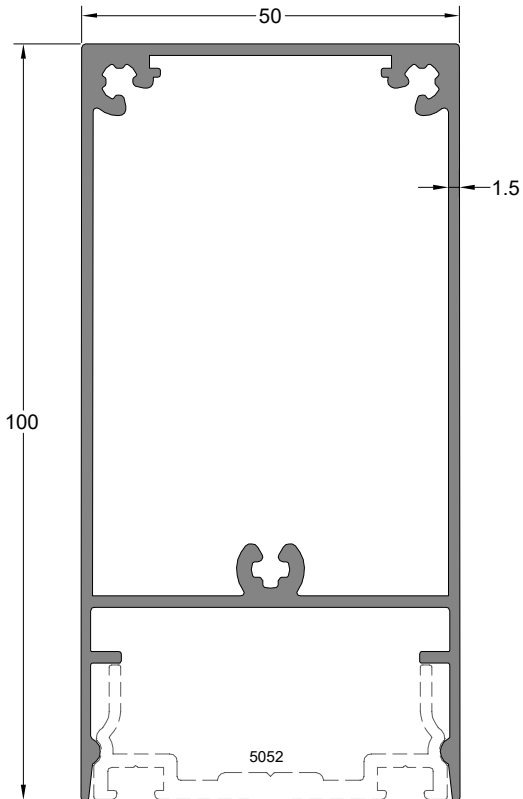
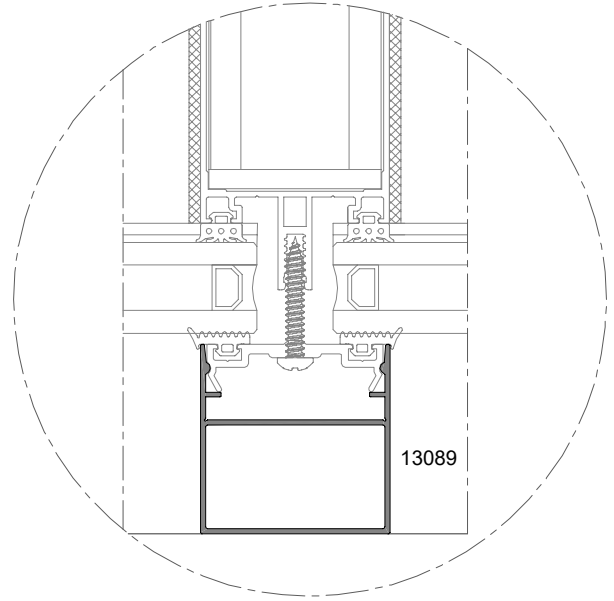
Kapak Profili	Profil Kodu	(kg/mt)
COVER PROFILE	Profile Code	Weight
	2050	0,403



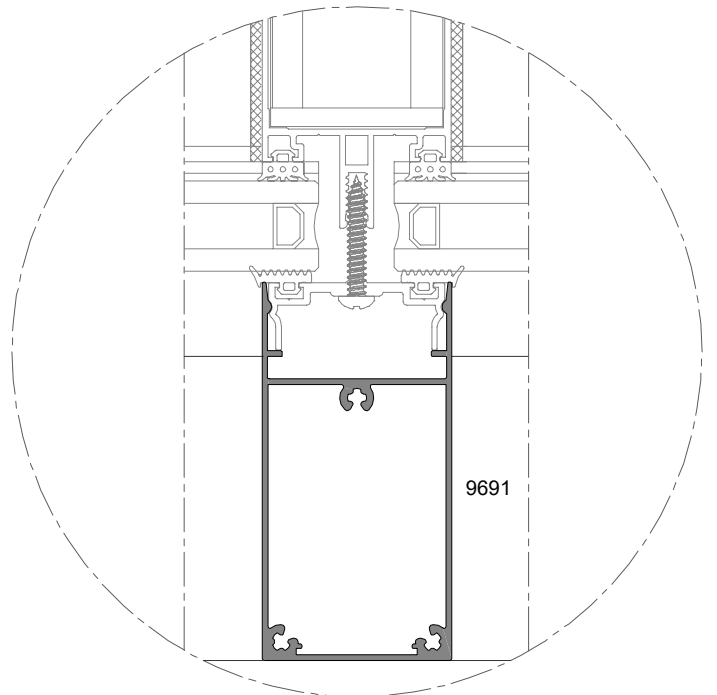
Kapak Profili	Profil Kodu	(kg/mt)
COVER PROFILE	Profile Code	Weight
	5047	0,369

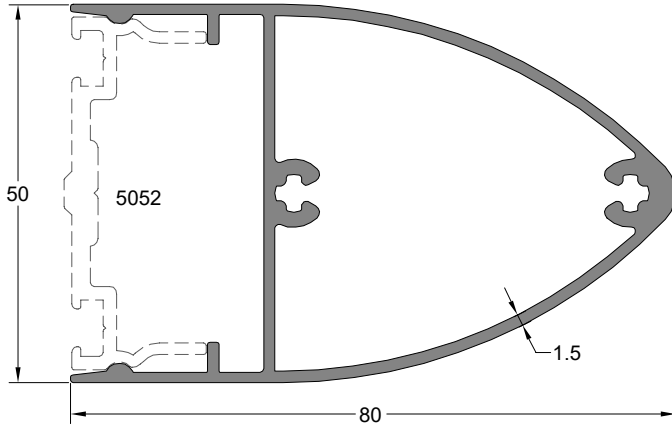


Kapak Profili	Profil Kodu	(kg/mt)
COVER PROFILE	Profile Code	Weight
	13089	0,728

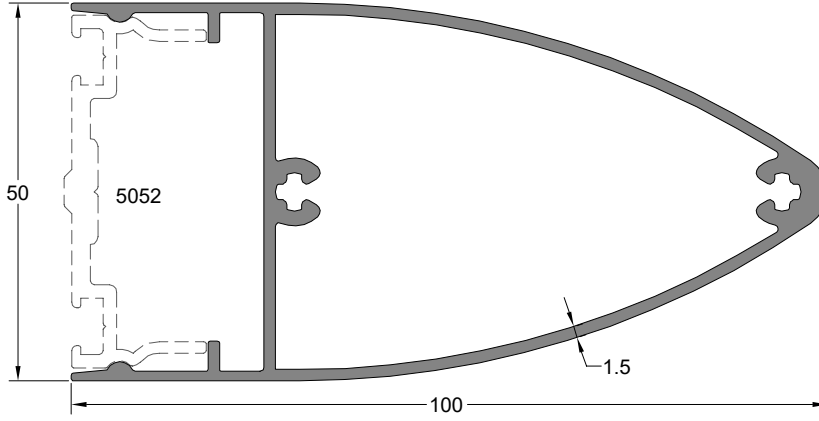


Badem Kapak Profili	Profil Kodu	(kg/mt)
ALMOND COVER PROFILE	Profile Code	Weight
	9691	1,498

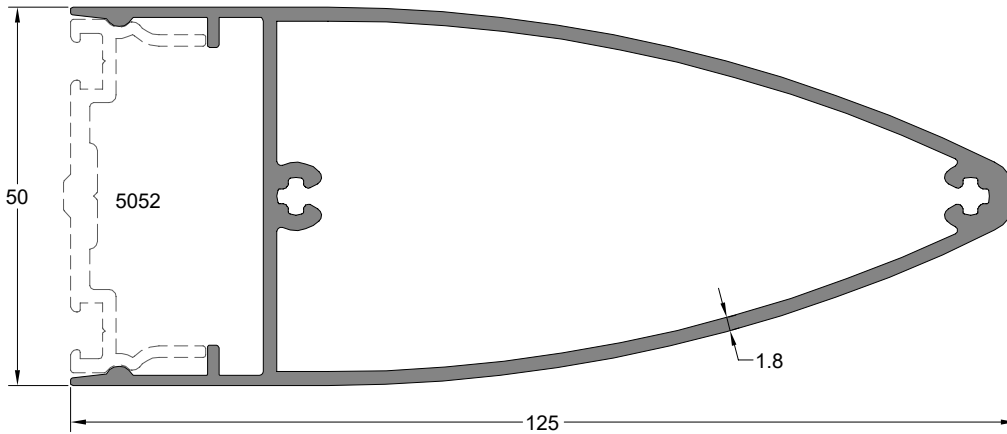




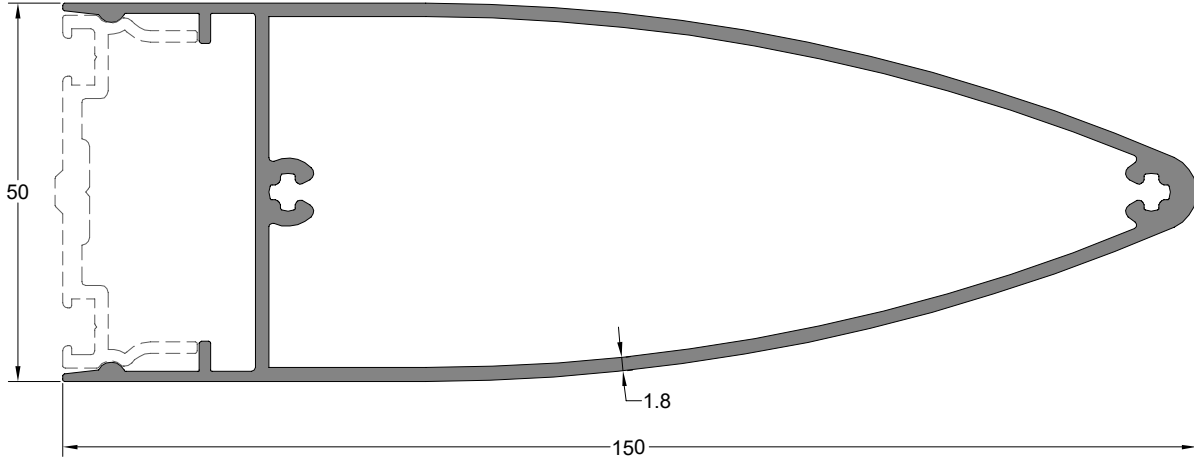
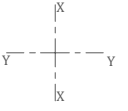
Badem Kapak Profili	Profil Kodu	(kg/mt)
CONVEX CORNER PROFILE	Profile Code	Weight
	5080	1,106



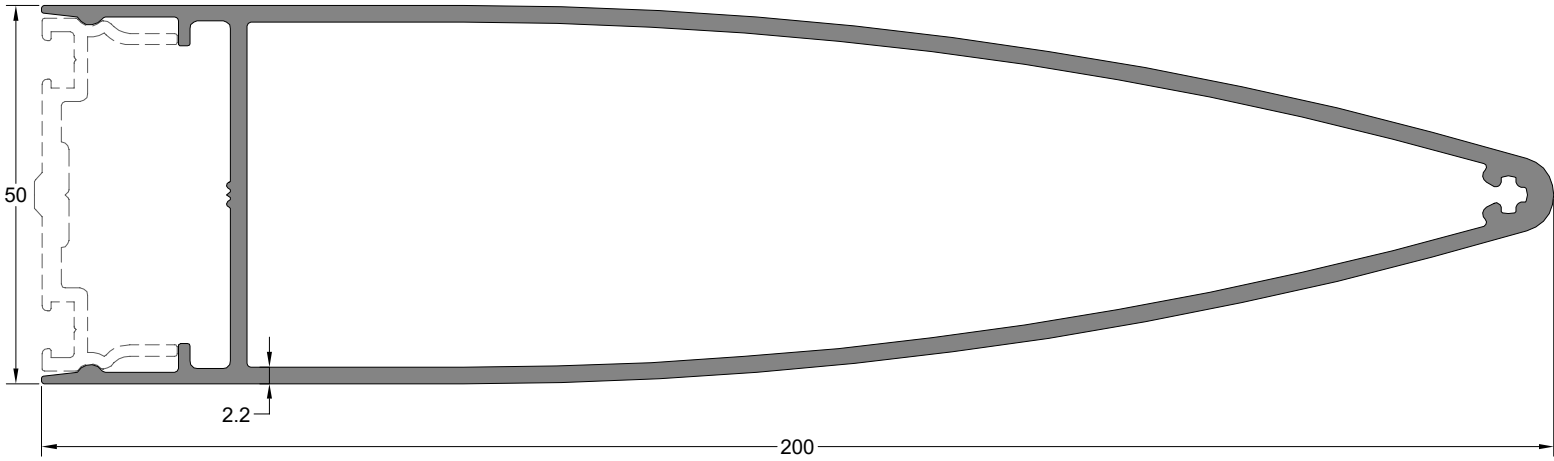
Badem Kapak Profili	Profil Kodu	(kg/mt)
CONVEX CORNER PROFILE	Profile Code	Weight
	5051	1,253



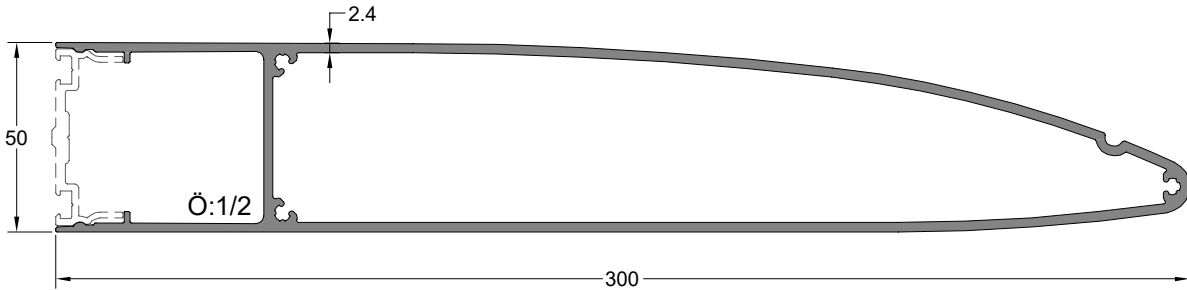
Badem Kapak Profili	Profil Kodu	(kg/mt)
CONVEX CORNER PROFILE	Profile Code	Weight
	5050	1,635



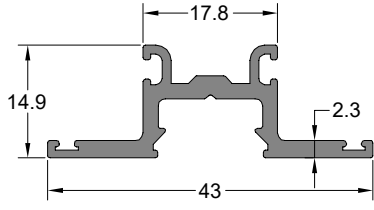
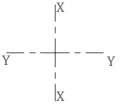
Badem Kapak Profili	Profil Kodu	(kg/mt)
CONVEX CORNER PROFILE	Profile Code	Weight
	5049	1,874



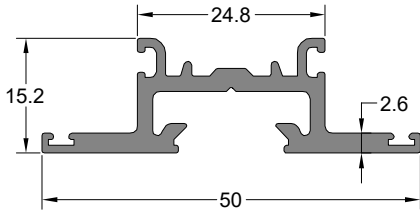
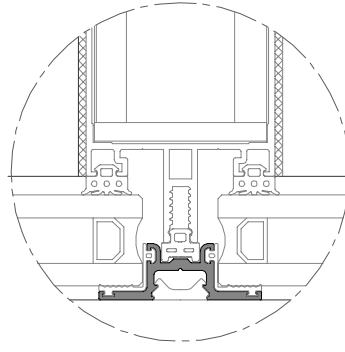
Badem Kapak Profili	Profil Kodu	(kg/mt)
CONVEX CORNER PROFILE	Profile Code	Weight
	10065	2,719



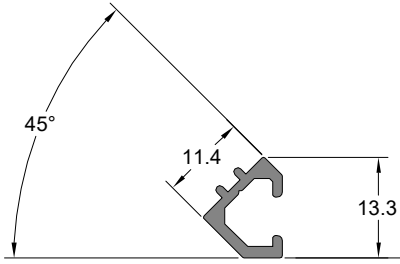
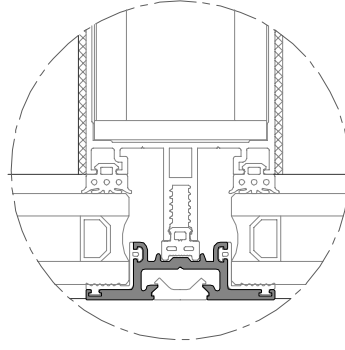
Badem Kapak Profili	Profil Kodu	(kg/mt)
CONVEX CORNER PROFILE	Profile Code	Weight
	8369	4,515



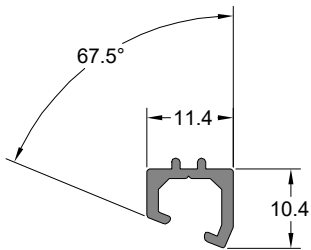
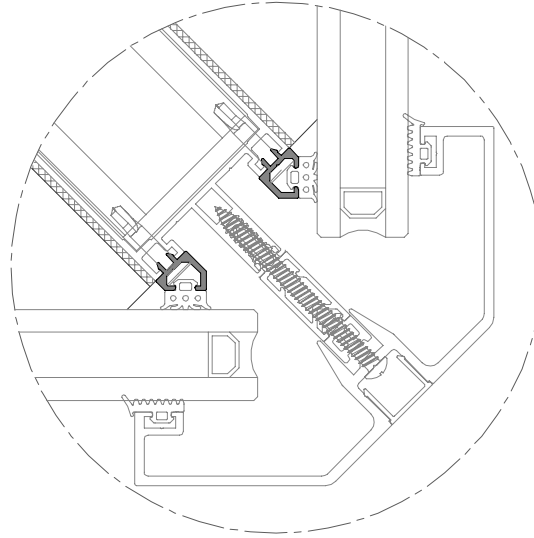
Omega Kapak Profili	Profil Kodu Profile Code	(kg/mt) Weight
OMEGA COVER PROFILE	5119	0,384



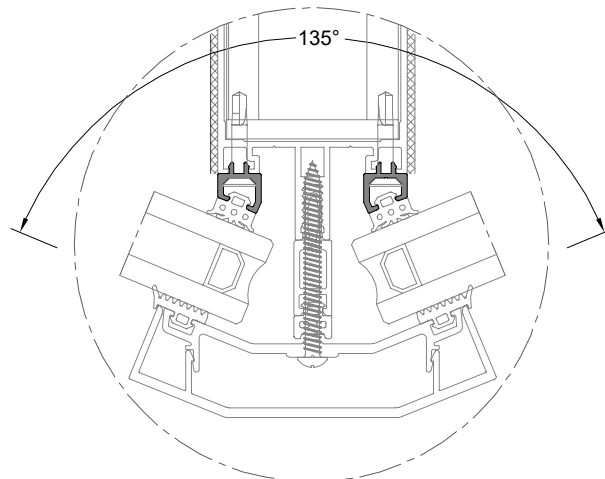
Omega Kapak Profili	Profil Kodu Profile Code	(kg/mt) Weight
OMEGA COVER PROFILE	12920	0,516

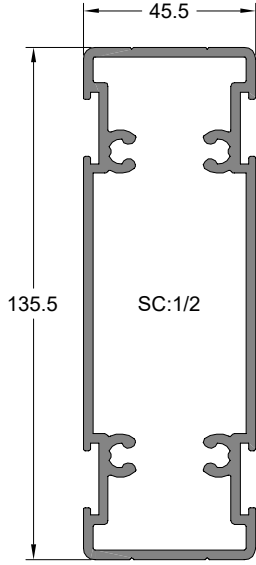


90° Dıştan Dönüş Çıta Profili	Profil Kodu Profile Code	(kg/mt) Weight
90° CORNER BEAD PROFILE	13092	0,117



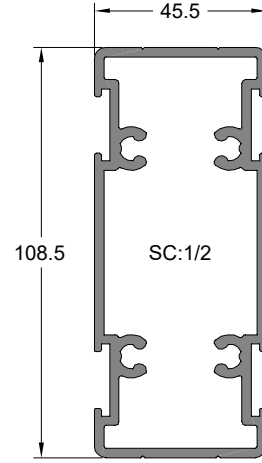
135° Köşe Dönüş Çıta Profili	Profil Kodu Profile Code	(kg/mt) Weight
135° CORNER BEAD PROFILE	13094	0,120





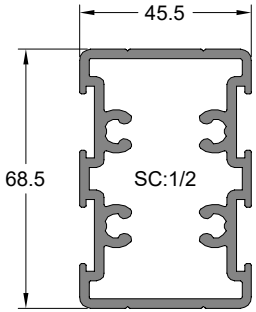
Dilatasyon Profili	Profil Kodu	(kg/mt)
DILATATION PROFILE	Profile Code	Weight
	6122	3,119

Dilatasyon Profil Kodu	Kullanıldığı Profil
Dilatation Profile Code	Used Profile
6122	6100
	6101



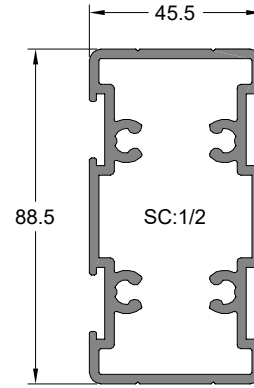
Dilatasyon Profili	Profil Kodu	(kg/mt)
DILATATION PROFILE	Profile Code	Weight
	6123	2,753

Dilatasyon Profil Kodu	Kullanıldığı Profil
Dilatation Profile Code	Used Profile
6123	6102
	6103



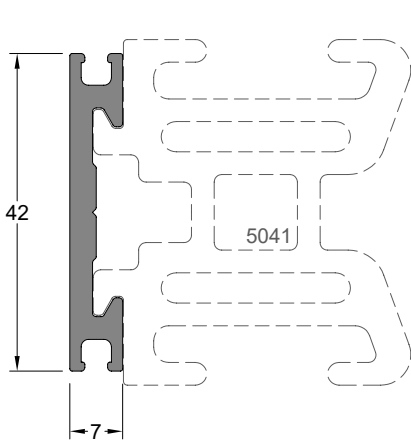
Dilatasyon Profili	Profil Kodu	(kg/mt)
DILATATION PROFILE	Profile Code	Weight
	6124	2,199

Dilatasyon Profil Kodu	Kullanıldığı Profil
Dilatation Profile Code	Used Profile
6122	6106
	6107
	6133

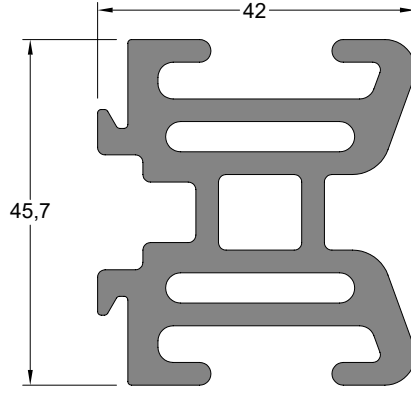


Dilatasyon Profili	Profil Kodu	(kg/mt)
DILATATION PROFILE	Profile Code	Weight
	6125	2,484

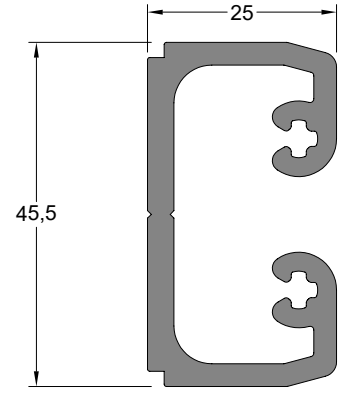
Dilatasyon Profil Kodu	Kullanıldığı Profil
Dilatation Profile Code	Used Profile
6123	6104
	6105



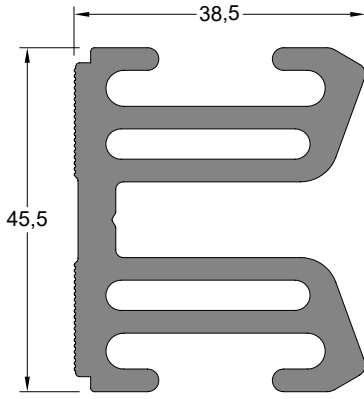
Kırlangıç Bağlantı Profili	Profil Kodu	(kg/mt)
CONNECTION PROFILE	Profile Code	Weight
	5040	0,456



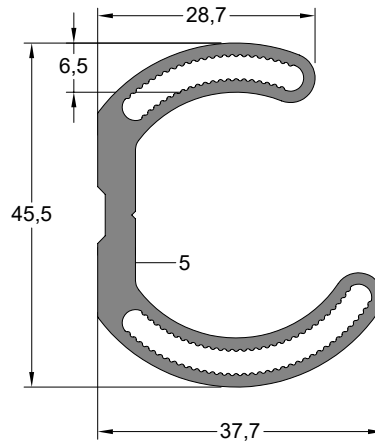
Kırlangıç Bağlantı Profili	Profil Kodu	(kg/mt)
CONNECTION PROFILE	Profile Code	Weight
	5041	2,211



Bağlantı Profili	Profil Kodu	(kg/mt)
CONNECTION PROFILE	Profile Code	Weight
	5042	1,144

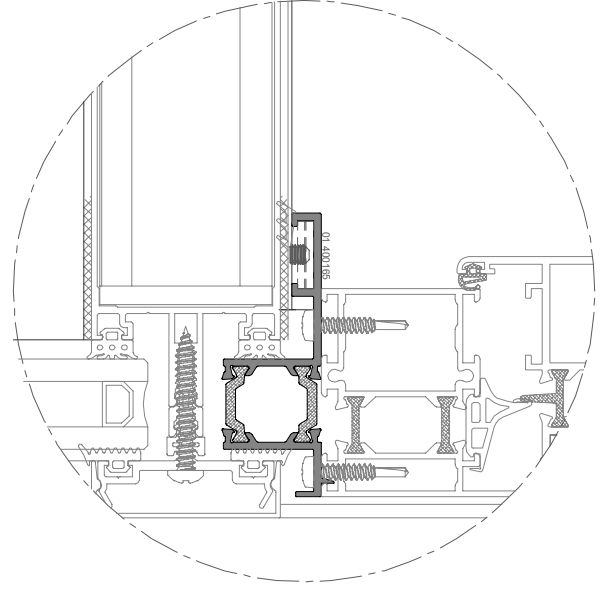
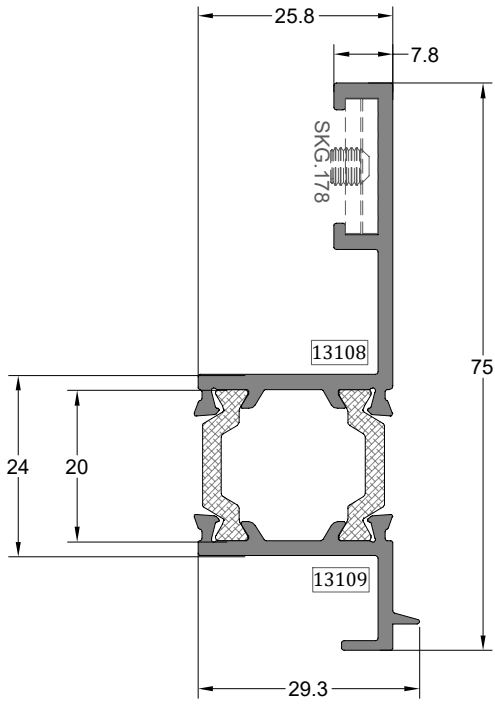


Bağlantı Profili	Profil Kodu	(kg/mt)
CONNECTION PROFILE	Profile Code	Weight
	6121	2,026

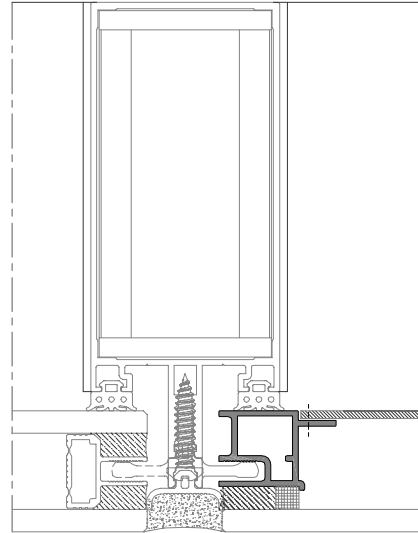
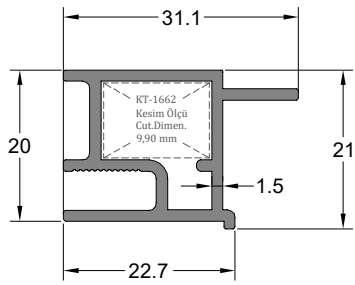


Bağlantı Profili	Profil Kodu	(kg/mt)
CONNECTION PROFILE	Profile Code	Weight
	13090	0,962

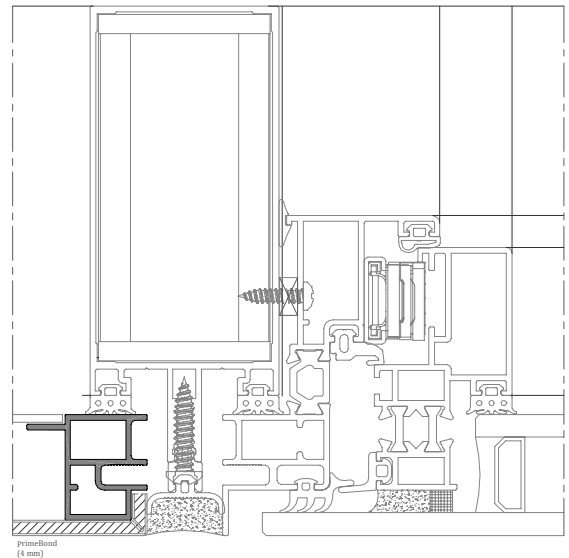
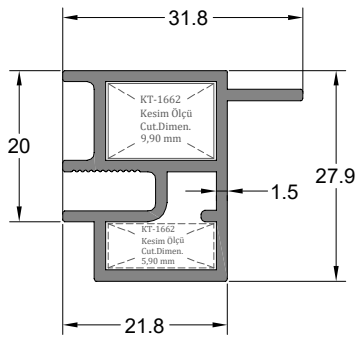
Bağlantı Profil Kodu	Kullanıldığı Profil (Düsey)	Kesim Boyu (mm)
Connection Profile Code	Used Profile (Vertical)	Cutting Length (mm)
5040-5041	6108	48,50 mm
	6109	48,50 mm
	6133	68,50 mm
5042	6106	68,50 mm
	6107	68,50 mm
	6104	88,50 mm
6121	6105	88,50 mm
	6102	108,50 mm
	6103	108,50 mm
13090	9888	123,00 mm
	6101	135,50 mm
	6100	135,50 mm



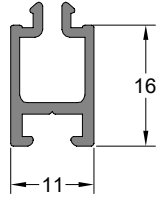
Geçiş Adaptör Profili	Profil Kodu	(kg/mt)	Jx cm ⁴	Jy cm ⁴
TRANSITION ADAPTER PROFILE	Profile Code	Weight		
	13108-13109	0,918	14,47	3,32



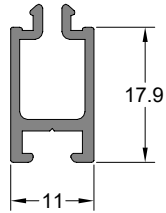
Tek Cam Spacer Profili	Profil Kodu	(kg/mt)
SINGLE GLAZING SPACER PROFILE	Profile Code	Weight
	6115	0,411



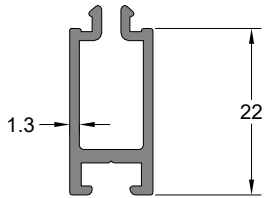
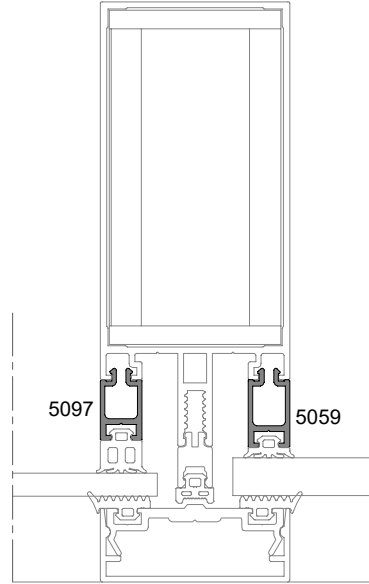
Tek Cam Spacer Profili	Profil Kodu	(kg/mt)
SINGLE GLAZING SPACER PROFILE	Profile Code	Weight
	6116	0,530



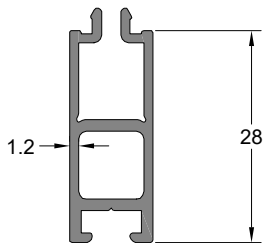
Yükseltme Çıta Profili	Profil Kodu	(kg/mt)
EXTENSION BEAD PROFILE	Profile Code	Weight
	5097	0,198



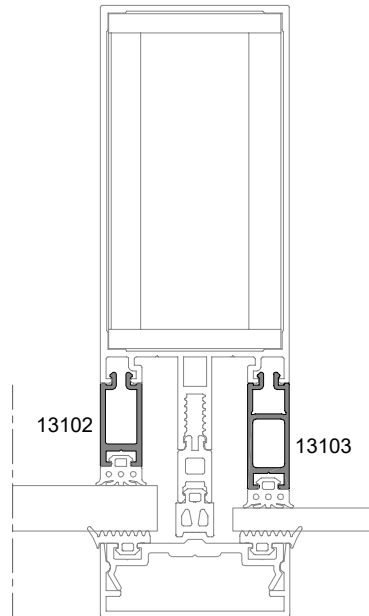
Yükseltme Çıta Profili	Profil Kodu	(kg/mt)
EXTENSION BEAD PROFILE	Profile Code	Weight
	5059	0,210

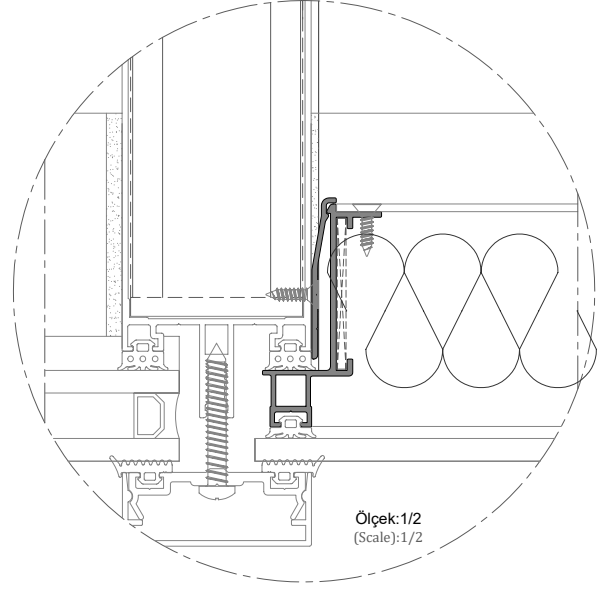
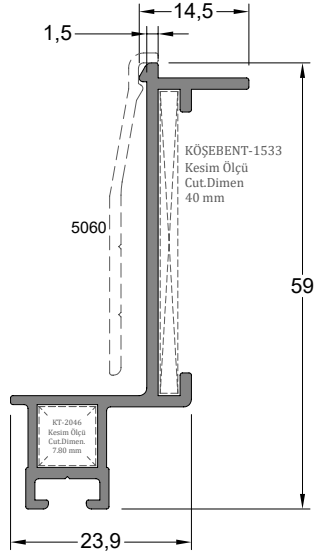


Yükseltme Çıta Profili	Profil Kodu	(kg/mt)
EXTENSION BEAD PROFILE	Profile Code	Weight
	13102	0,250

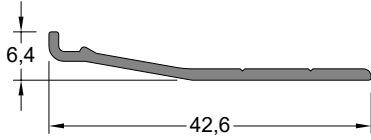


Yükseltme Çıta Profili	Profil Kodu	(kg/mt)
EXTENSION BEAD PROFILE	Profile Code	Weight
	13103	0,309

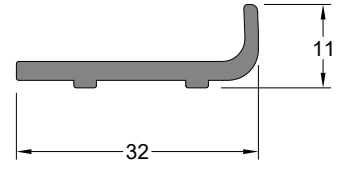




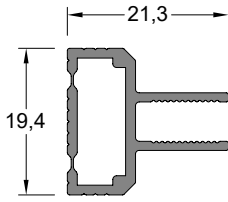
Tek Cam ve Spandrel Panel Kaset Profili	Profil Kodu	(kg/mt)	Jx cm ⁴	Jy cm ⁴
CASEDEDE PROFILE	5056	0,478	6,57	1,00



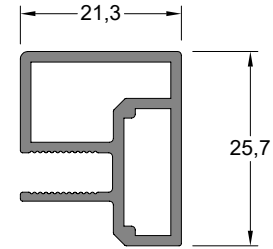
Çıta Profili	Profil Kodu	(kg/mt)
BEAD PROFILE	5060	0,172



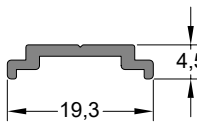
Cam Altı Takoz Profili	Profil Kodu	(kg/mt)
SUB-GLAZING WEDGE PROFILE	6120	0,265



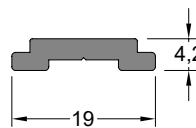
Cam Çıta Klips Profili	Profil Kodu	(kg/mt)
GLASS BEAD CLIP PROFILE	6117	0,254



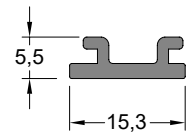
Cam Çıta Klips Profili	Profil Kodu	(kg/mt)
GLASS BEAD CLIP PROFILE	9748	0,419



Tij Profili	Profil Kodu	(kg/mt)
STEM BAR PROFILE	8241	0,099

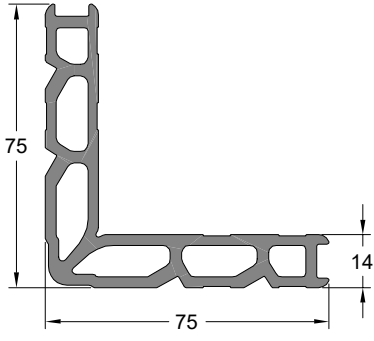


Tij Profili	Profil Kodu	(kg/mt)
STEM BAR PROFILE	1122	0,158



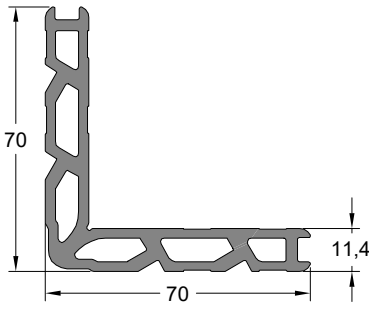
Cam Yapıştırma Profili	Profil Kodu	(kg/mt)
GLAZING BONDING PROFILE	5027	0,128

5027 siyah eloksalı olmalıdır.
The surface of the profile no 5027 must be black anodized.



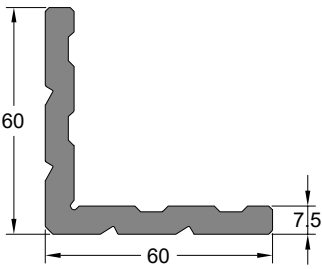
Köşe Takoz Profili CORNER WEDGE PROFILE	Profil Kodu Profile Code	(kg/mt) Weight
	1662	2,576

Köşe Takoz Profil Kodu Corner Wedge Profile Code	Kullanıldığı Profil Used Profile	Kesim Boyu (mm) Cutting Length (mm)
1662	5062	32,00 mm
	5081	32,00 mm
	5093	32,50 mm
	6110	31,60 mm
	6112	31,60 mm
	6113	25,50 mm
6114	9,90 mm	



Köşe Takoz Profili CORNER WEDGE PROFILE	Profil Kodu Profile Code	(kg/mt) Weight
	5022	2,245

Köşe Takoz Profil Kodu Corner Wedge Profile Code	Kullanıldığı Profil Used Profile	Kesim Boyu (mm) Cutting Length (mm)
5022	5066	6,00 mm
	5062	16,50 mm
	5081	22,20 mm
	5093	22,80 mm
	6110	7,50 mm
	6111	6,60 mm
	6112	29,60 mm



Köşe Takoz Profili CORNER WEDGE PROFILE	Profil Kodu Profile Code	(kg/mt) Weight
	2046	2,091

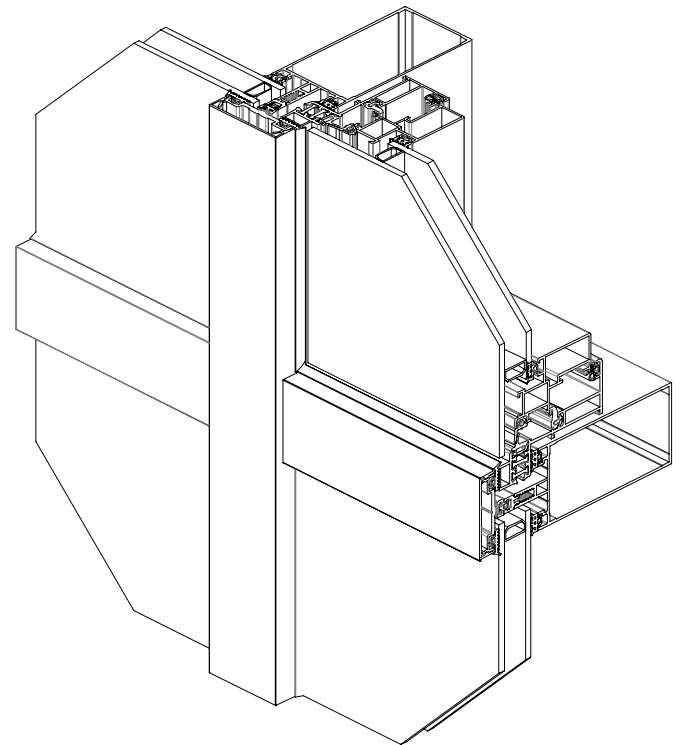
Köşe Takoz Profil Kodu Corner Wedge Profile Code	Kullanıldığı Profil Used Profile	Kesim Boyu (mm) Cutting Length (mm)
2046	5063	25,50 mm
	5064	25,50 mm
	5065	25,50 mm

FS50ECO

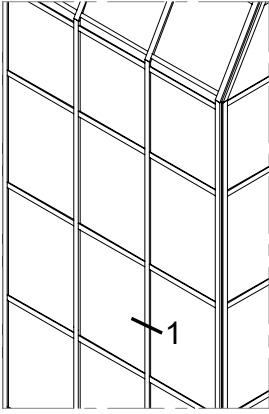
KAPAKLI CEPHE

FS50ECO COVERED

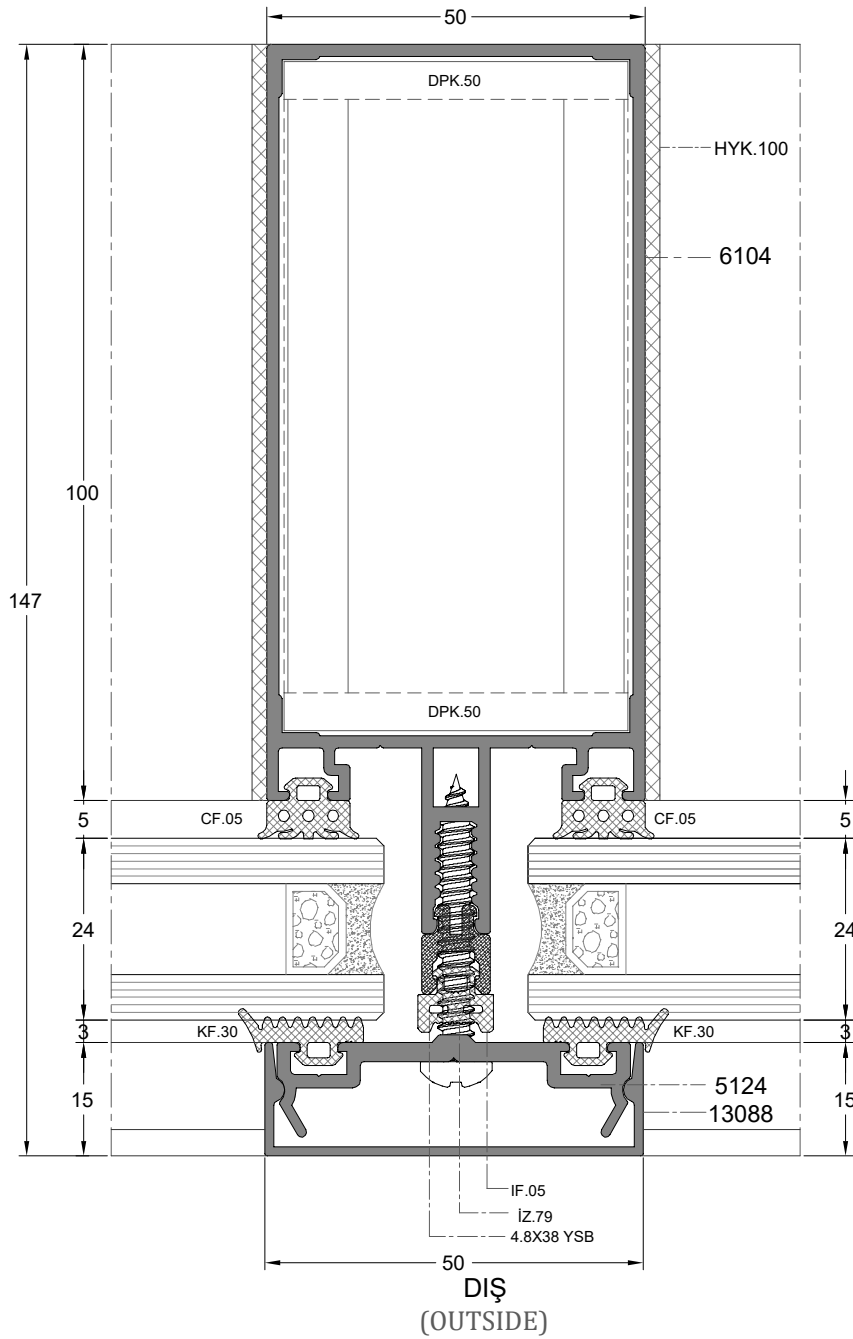
FACADE



KAPAKLI CEPHE DÜŞEY DETAYI
COVERED FACADE VERTICAL DETAIL

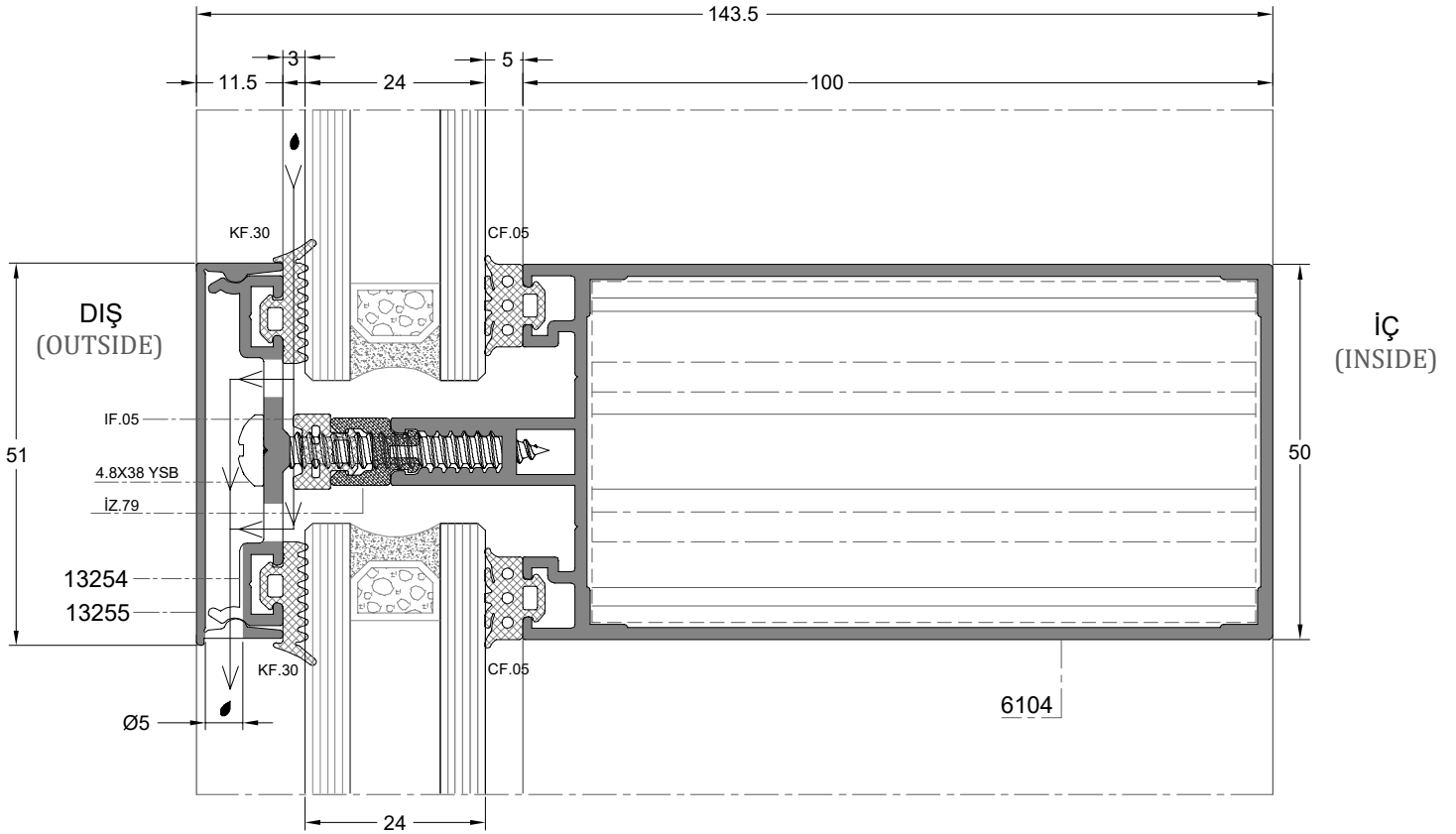
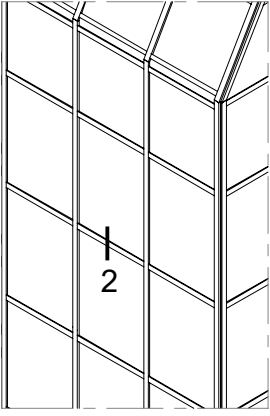


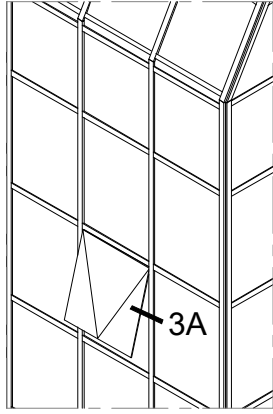
İÇ
(INSIDE)



D-1

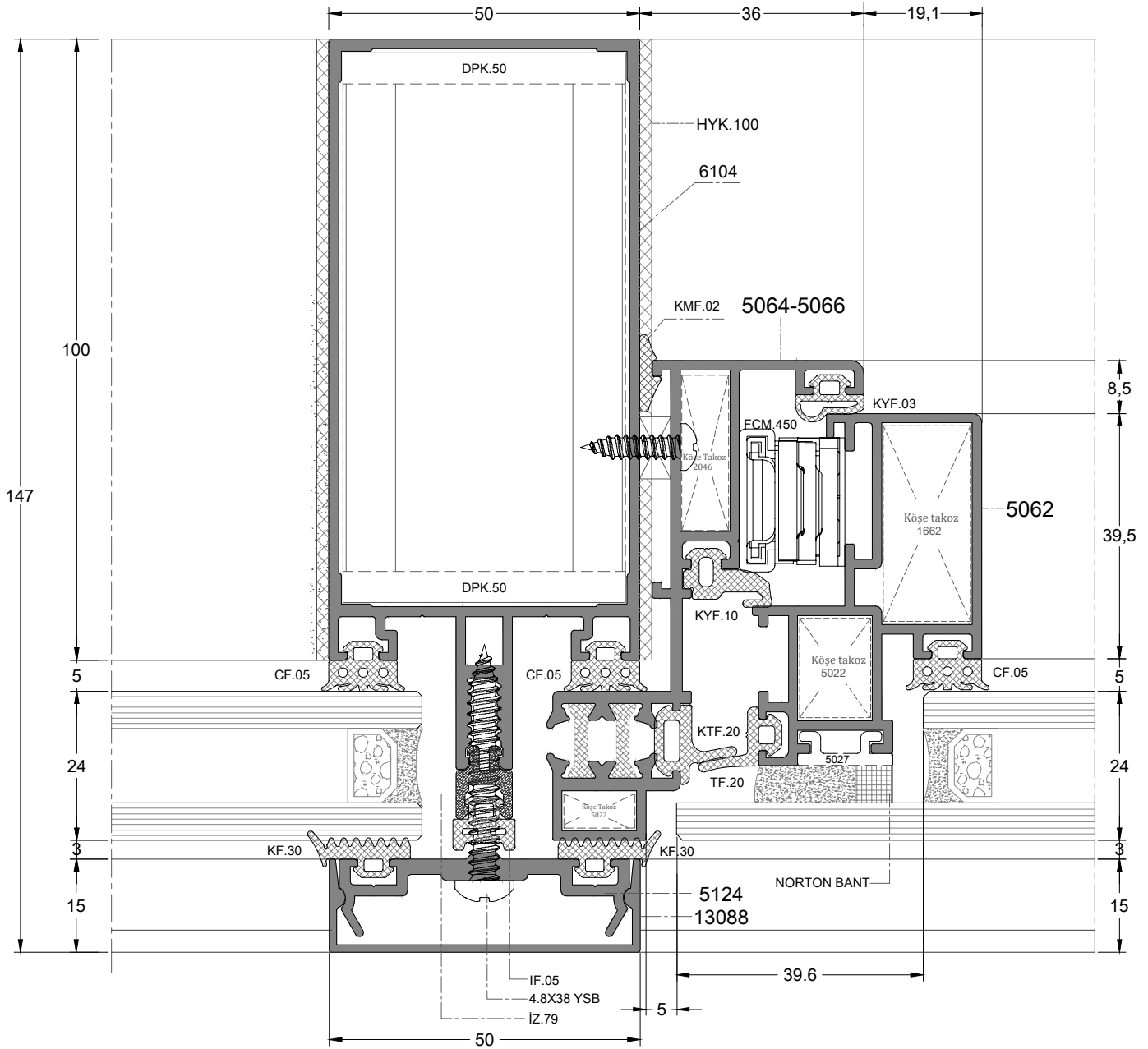
KAPAKLI CEPHE YATAY DETAYI
COVERED FACADE HORIZONTAL DETAIL





KAPAKLI CEPHE AÇILIR KANAT DÜŞEY DETAYI
COVERED FACADE OUTWARD OPENING SASH VERTICAL DETAIL

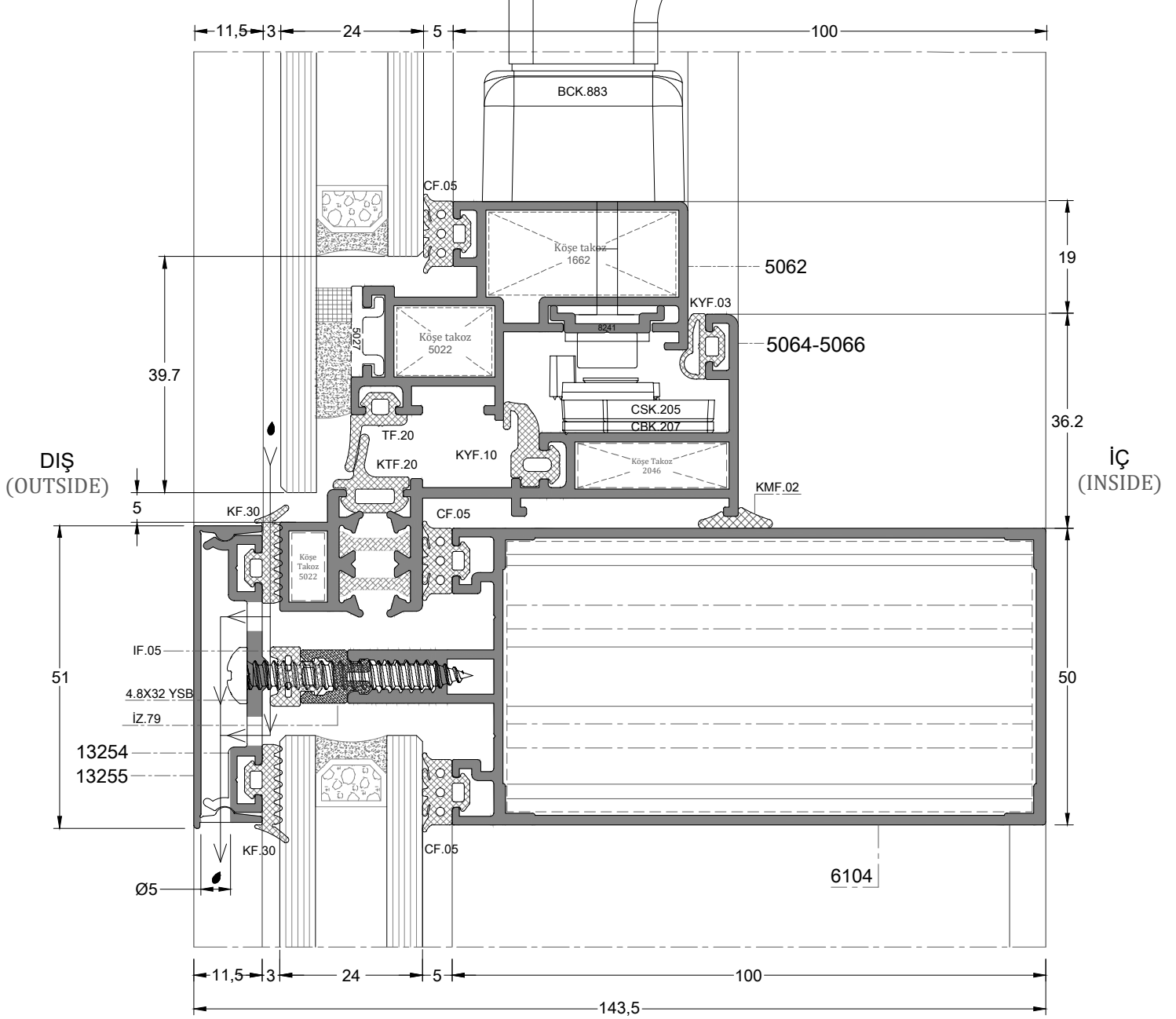
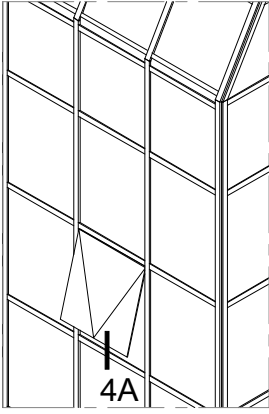
İÇ
(INSIDE)



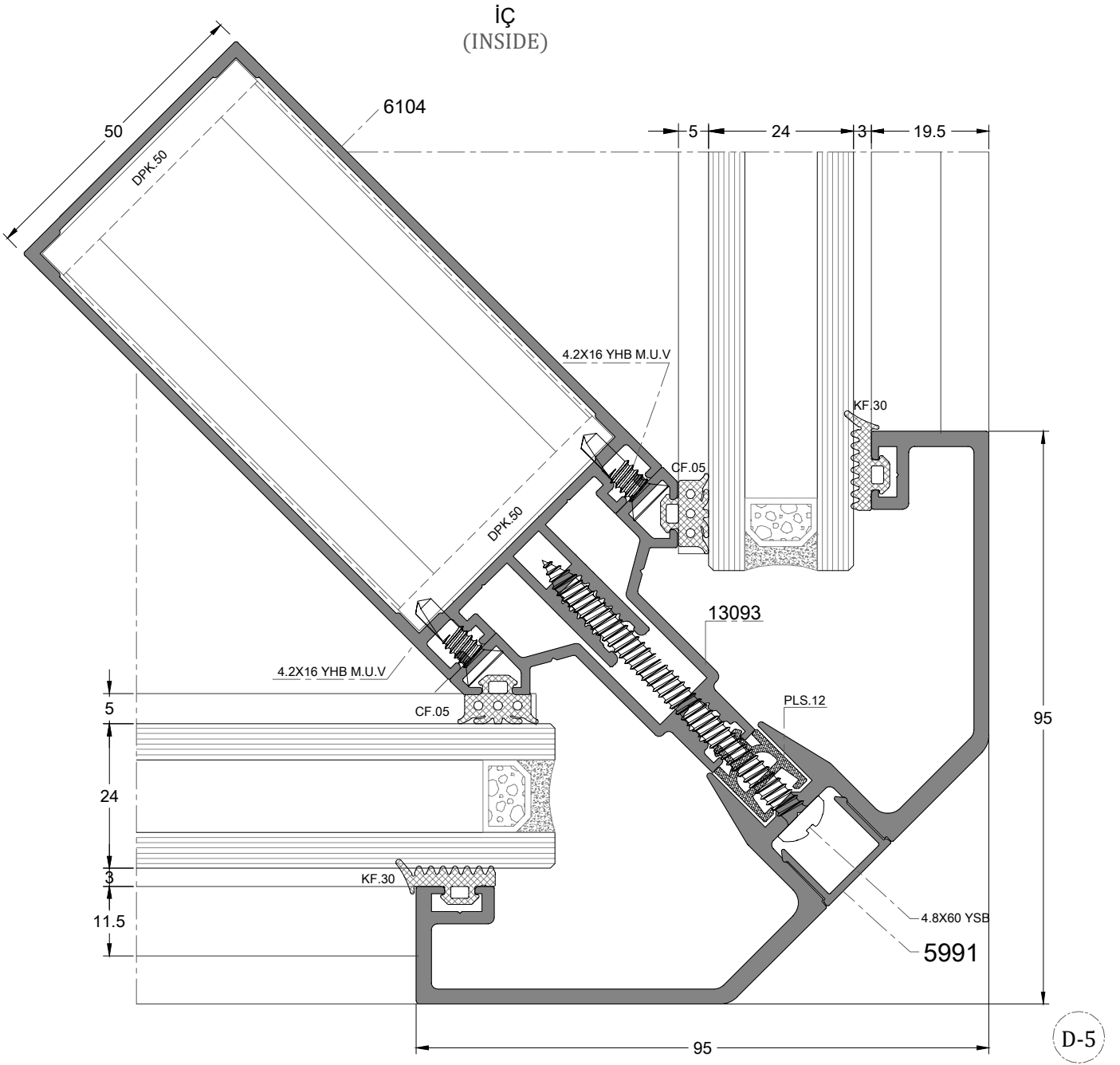
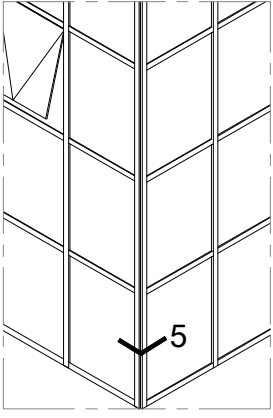
DIŞ
(OUTSIDE)

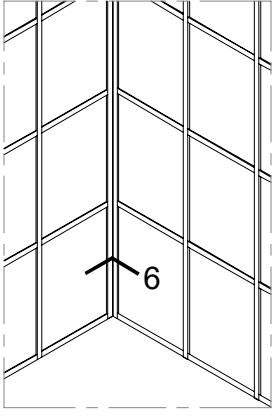
D-3A

KAPAKLI CEPHE AÇILIR KANAT YATAY DETAYI
COVERED FACADE OUTWARD OPENING SASH HORIZONTAL DETAIL

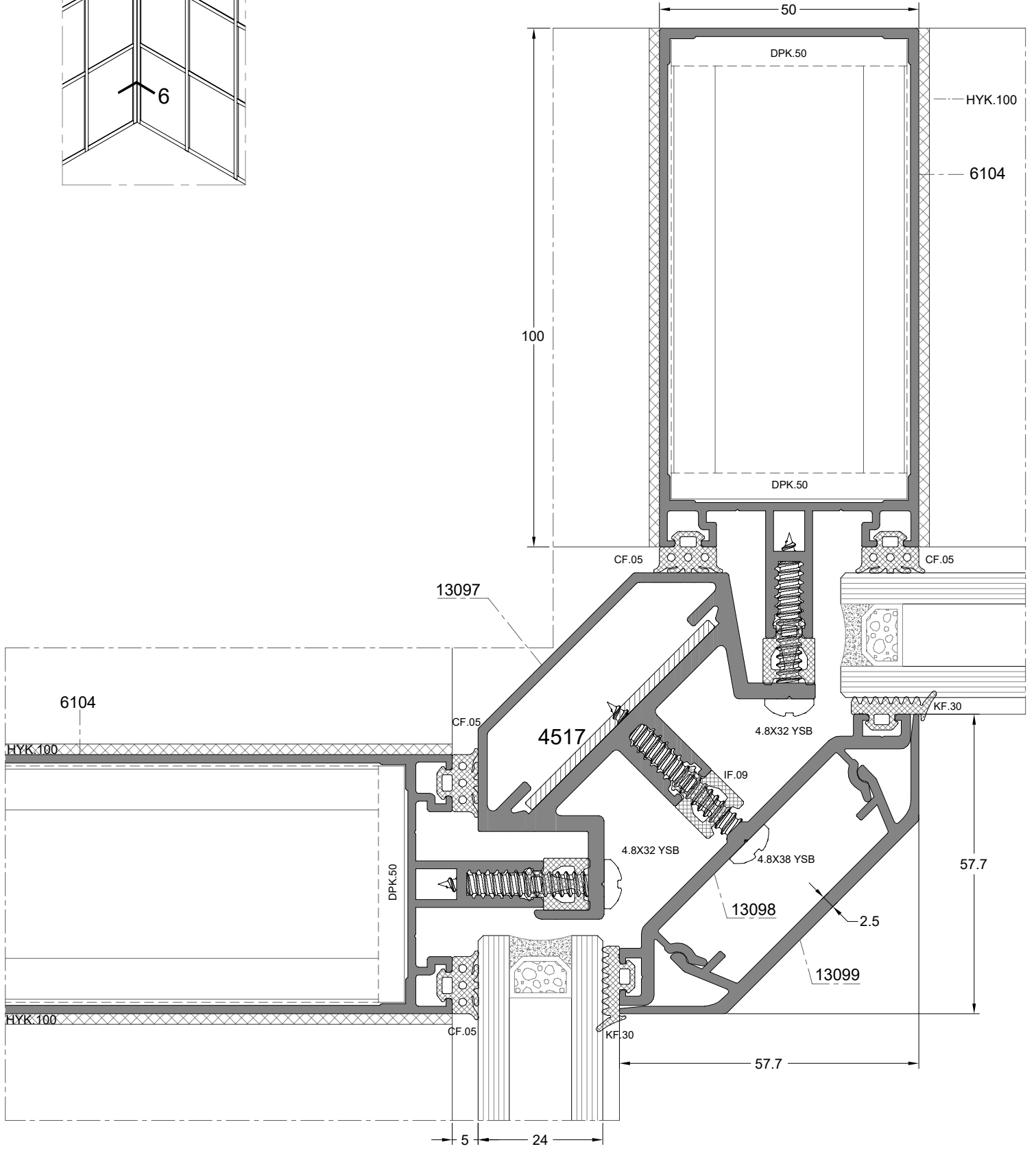


90 ° DIŞ AÇILI KÖŞE DÖNÜŞ KAPAKLI CEPHE DETAYI
90° OUTWARD ANGLE CORNER COVERED FACADE DETAIL





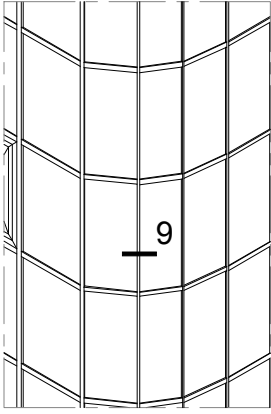
90° İÇ AÇILI KÖŞE DÖNÜŞ KAPAKLI CEPHE DETAYI
90° INWARD ANGLE CORNER COVERED FACADE DETAIL



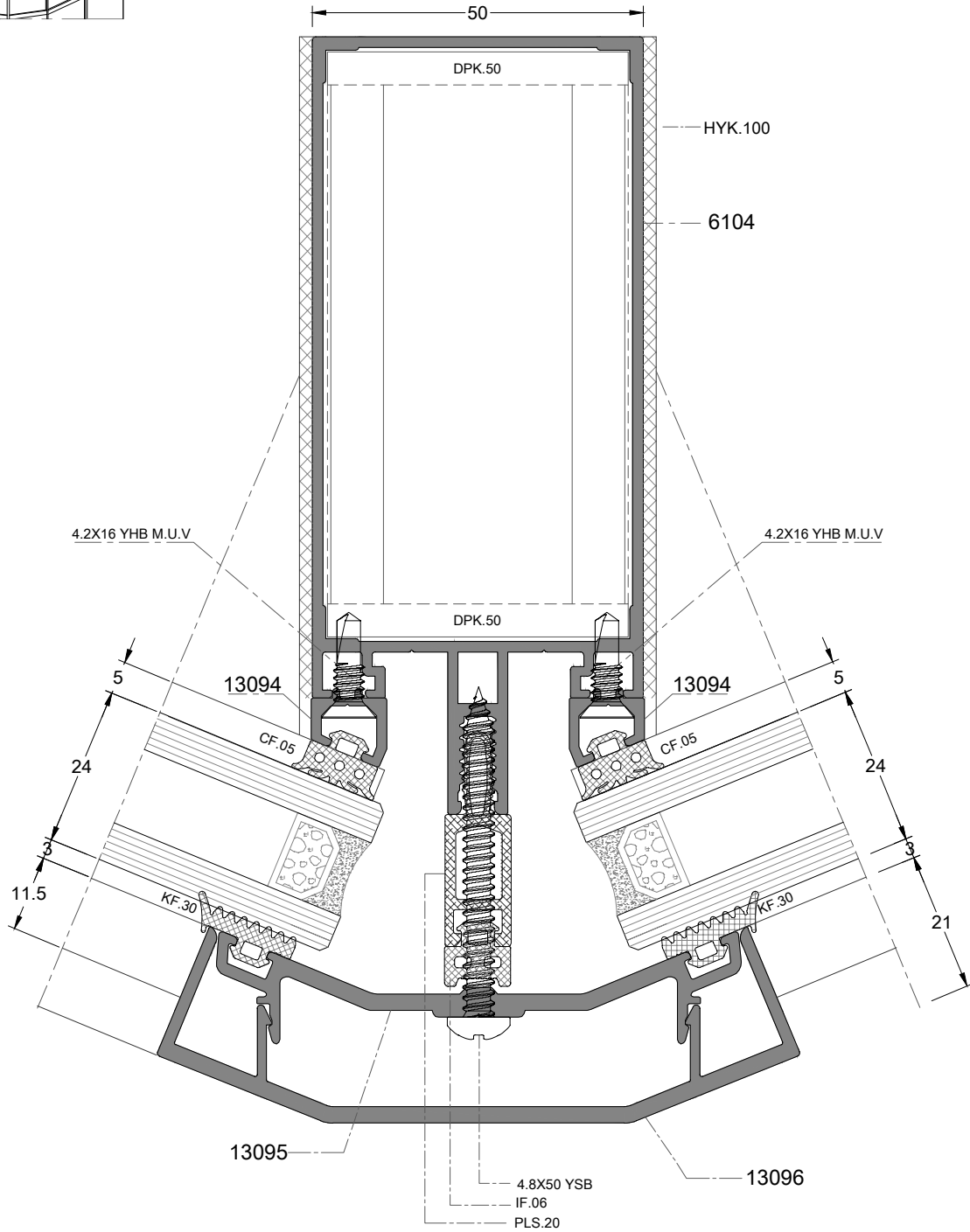
DIŞ
(OUTSIDE)

D-6

135 ° DIŞ AÇILI KÖŞE DÖNÜŞ KAPAKLI CEPHE DETAYI
135° OUTWARD ANGLE CORNER COVERED FACADE DETAIL

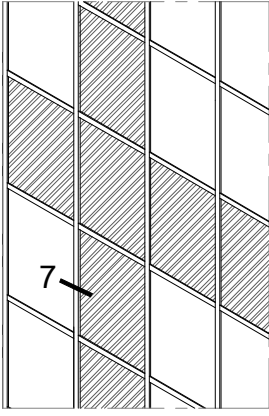


İÇ
(INSIDE)

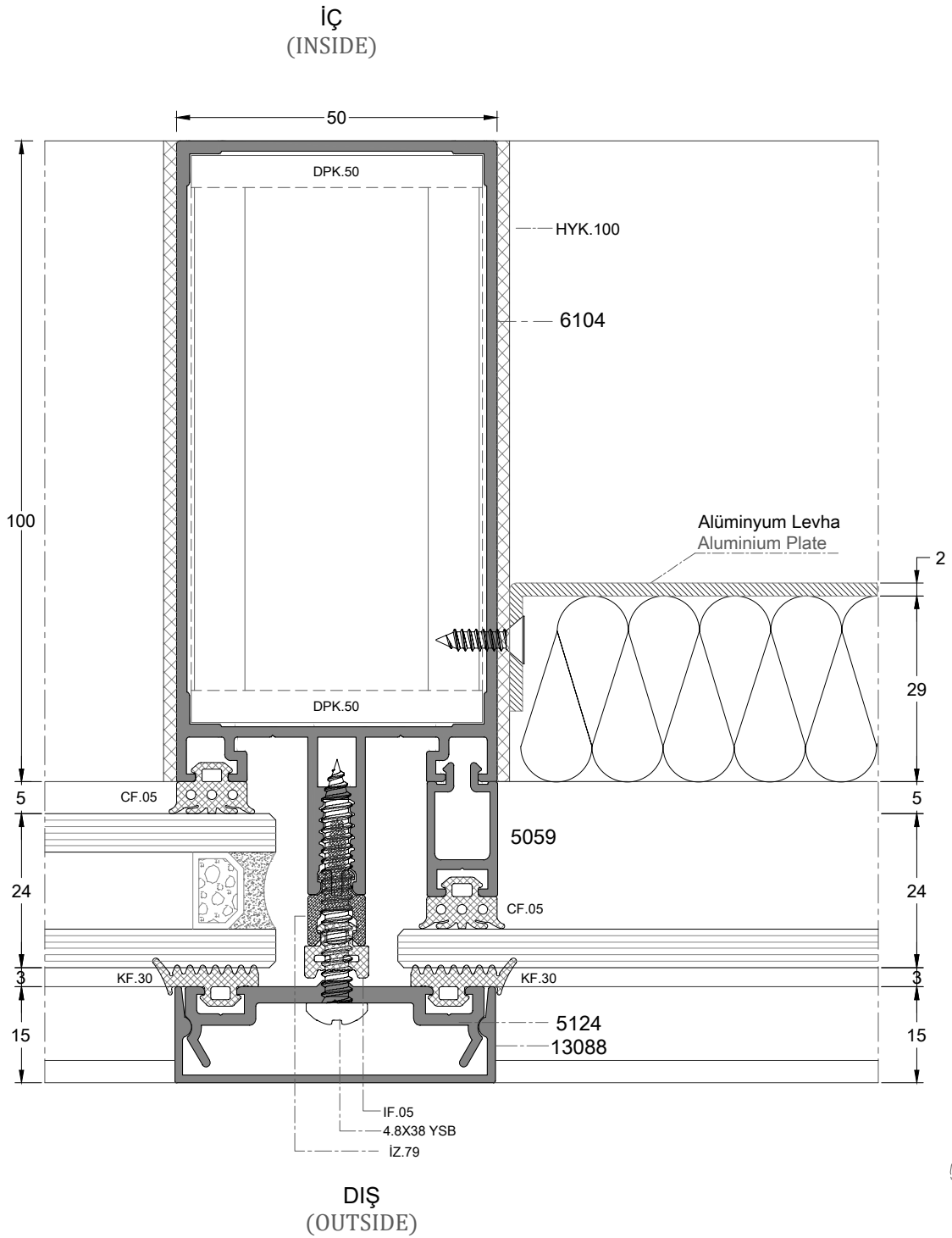


DIŞ
(OUTSIDE)

D-9

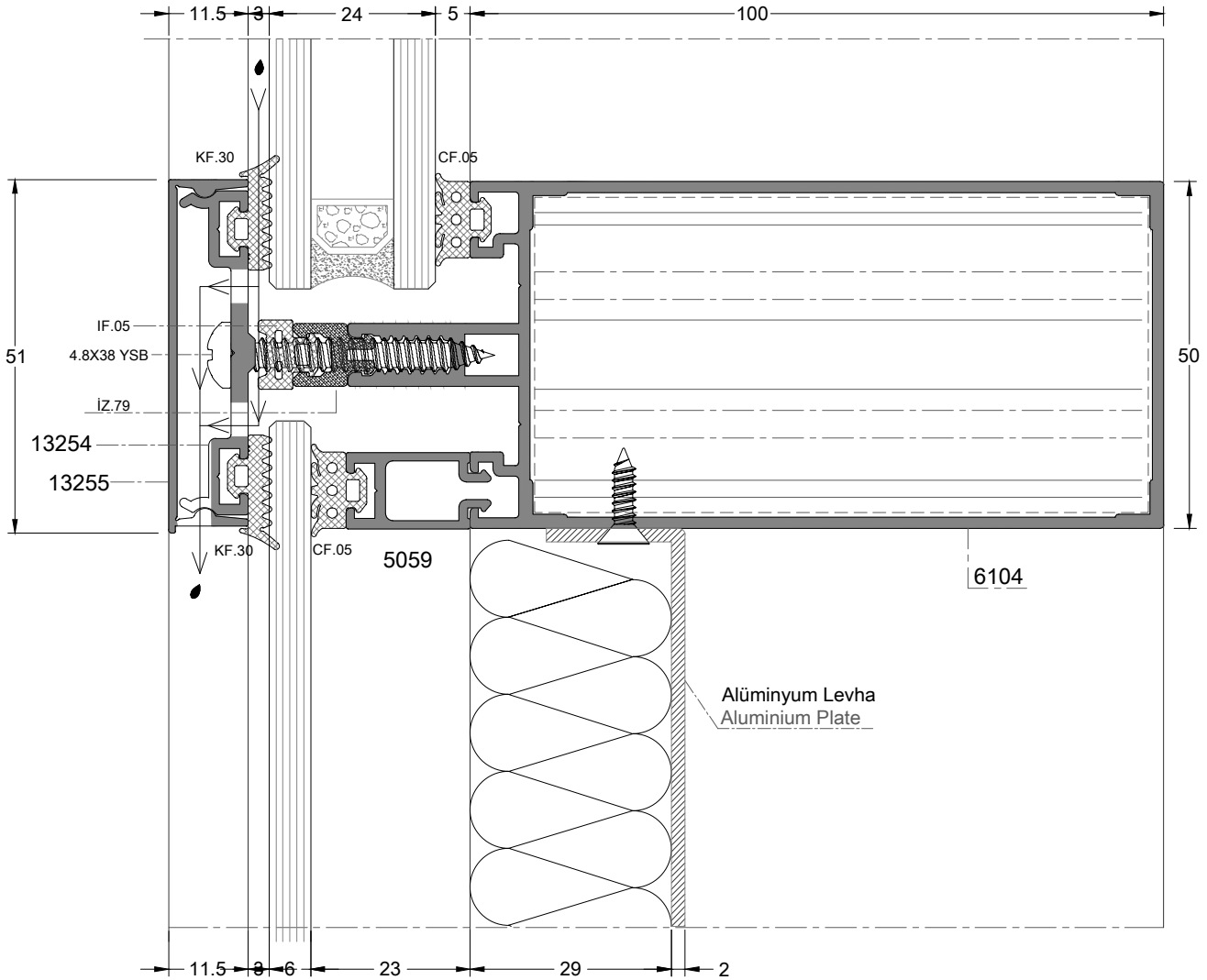
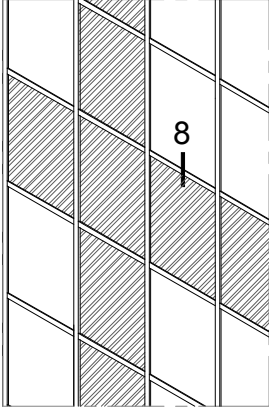


KAPAKLI CEPHE SPANDREL BÖLGE DÜŞEY DETAYI
COVERED FACADE SPANDREL SECTION VERTICAL DETAIL



D-7

KAPAKLI CEPHE SPANDREL BÖLGE YATAY DETAYI
COVERED FACADE SPANDREL SECTION HORIZONTAL DETAIL

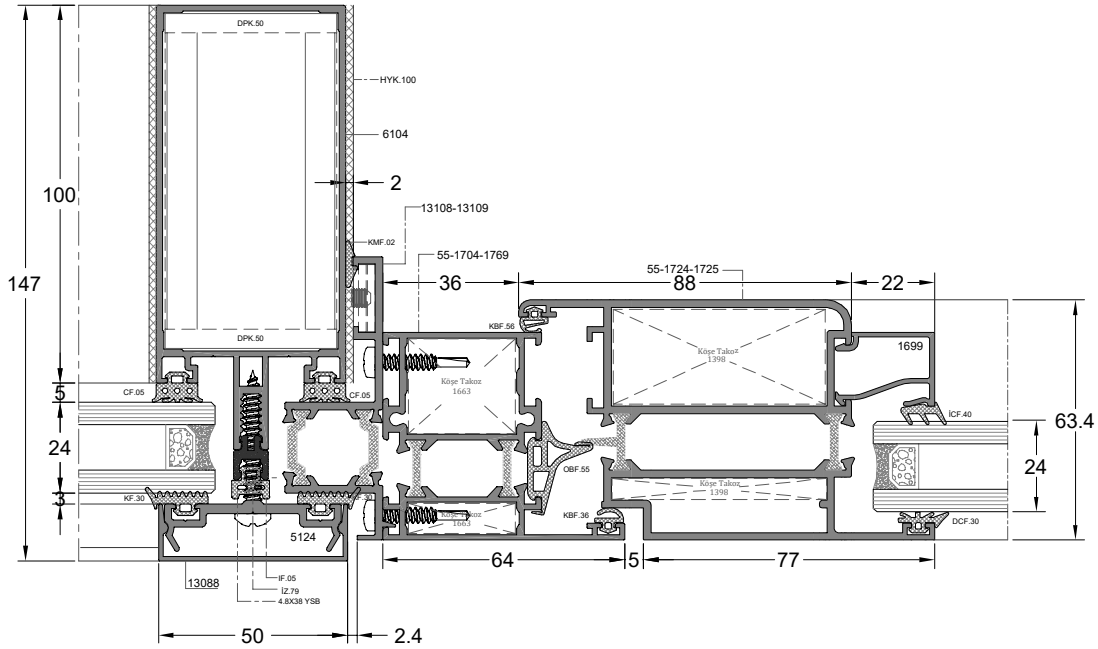


DIŞ
(OUTSIDE)

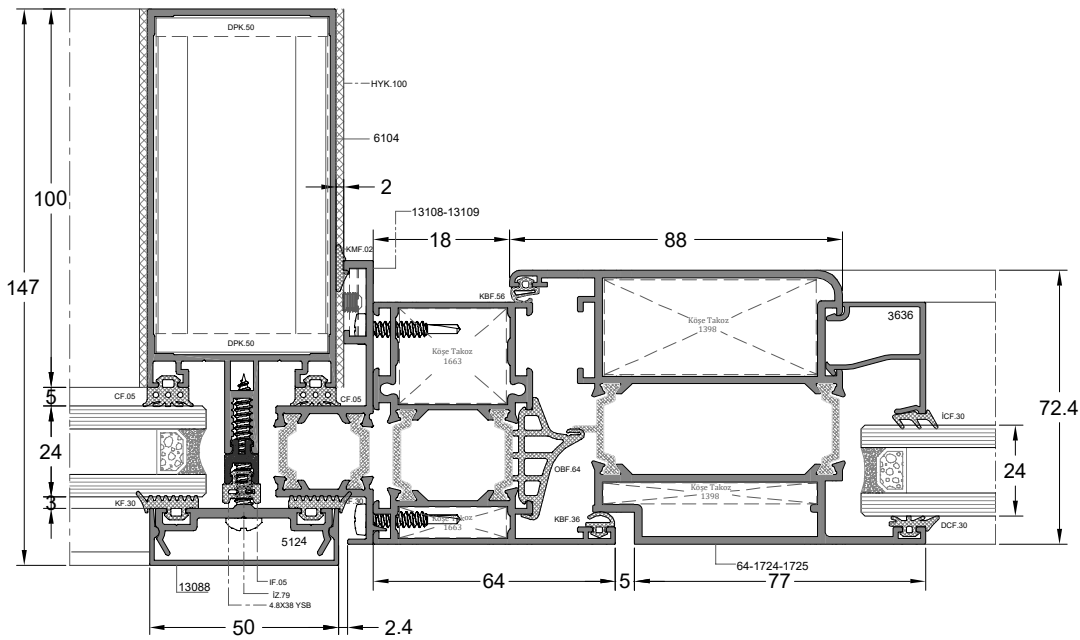
D-8

SİSTEM GEÇİŞ ADAPTÖR DETAYI
SYSTEM TRANSITION ADAPTER DETAIL

WD55T

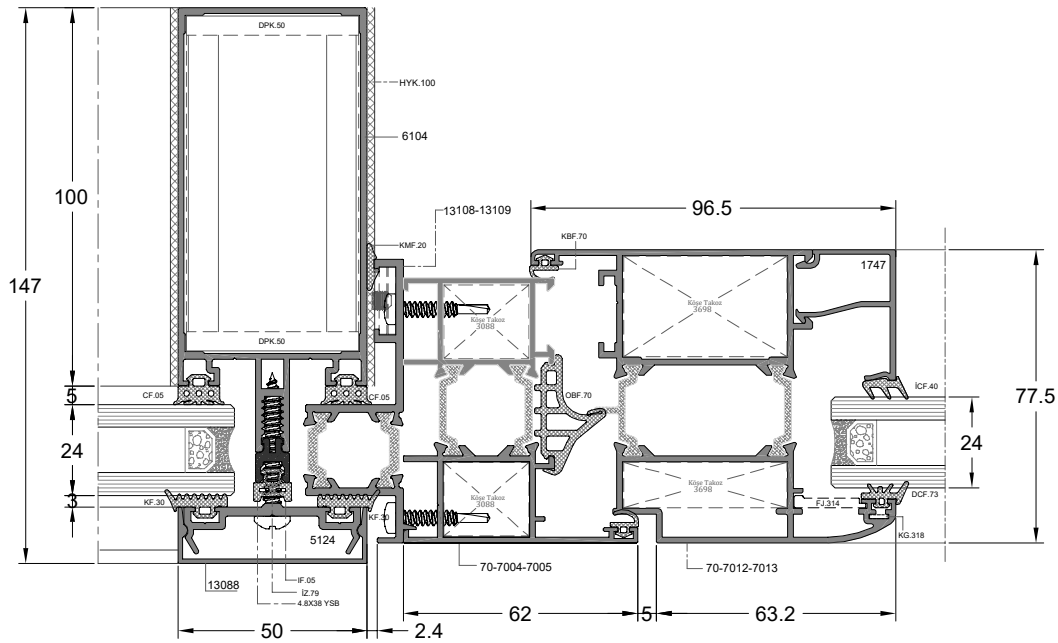


WD64T

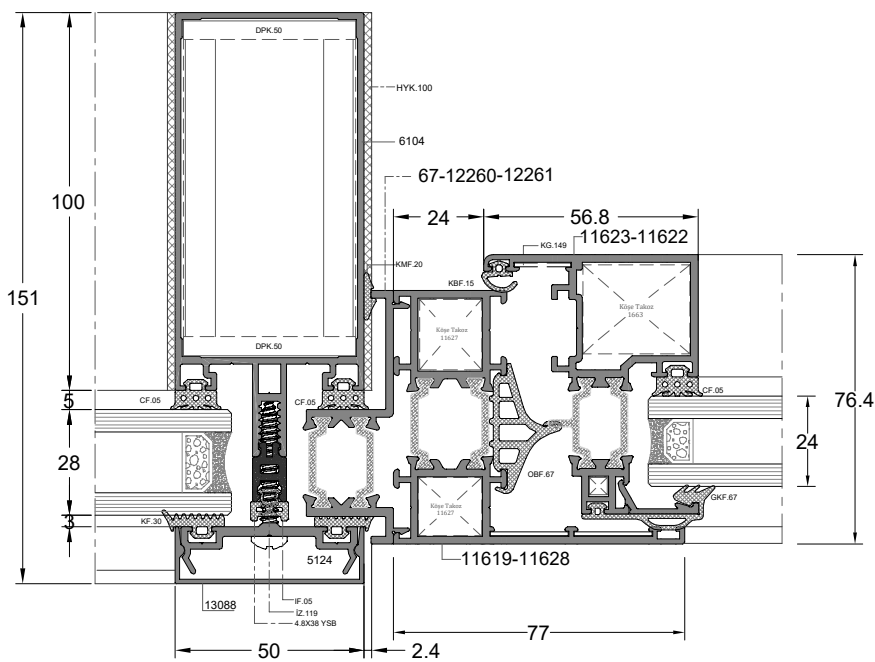


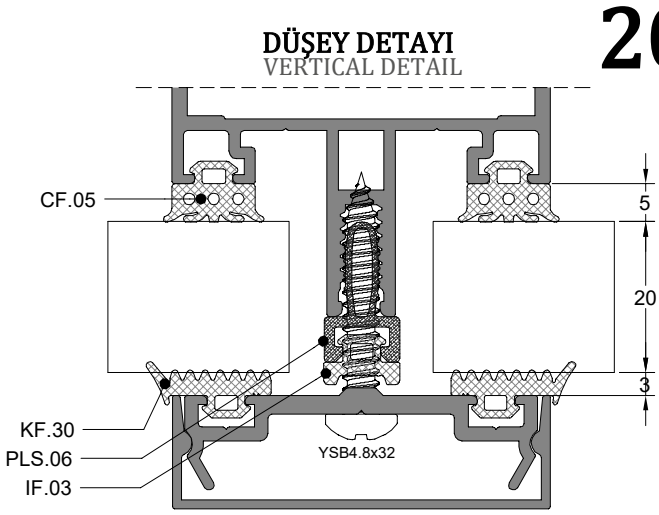
SİSTEM GEÇİŞ ADAPTÖR DETAYI
SYSTEM TRANSITION ADAPTER DETAIL

WD70T

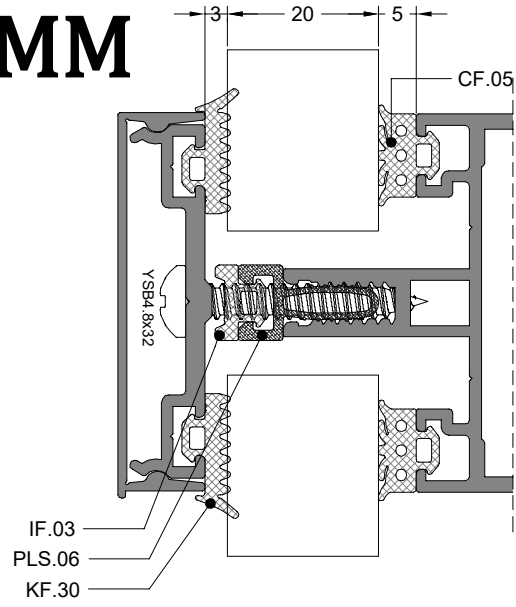


HVT67

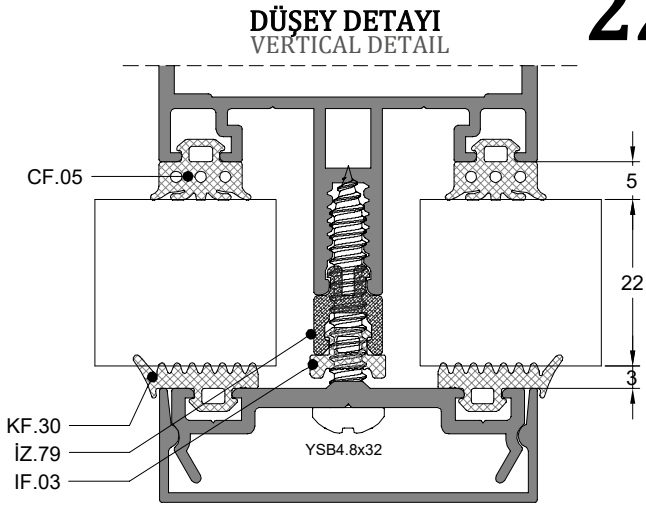




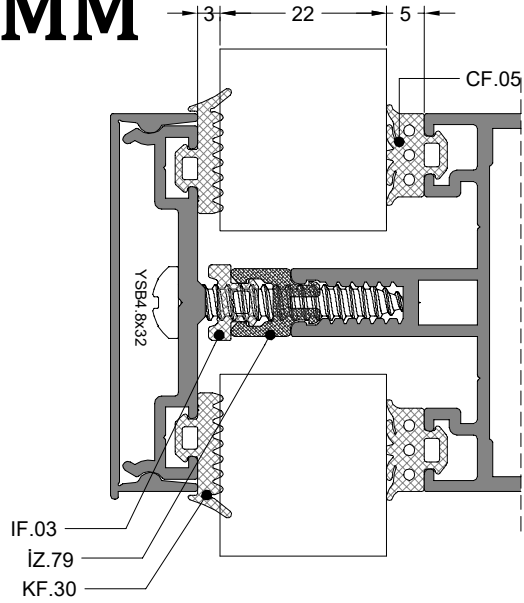
20 MM



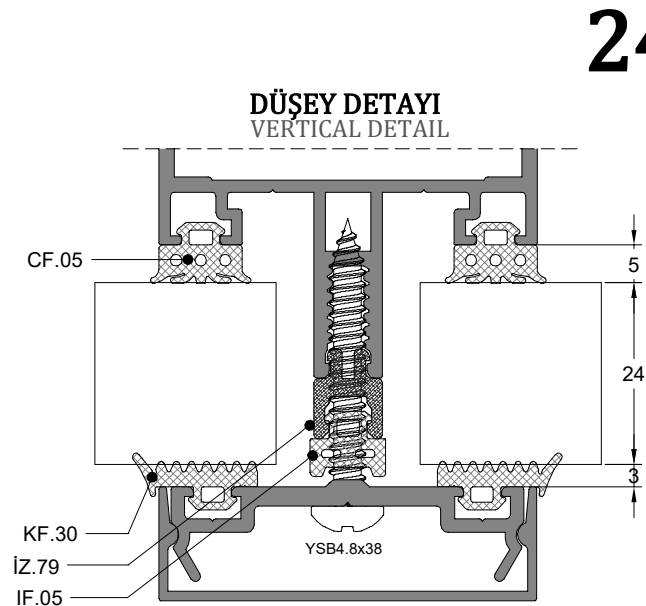
YATAY DETAYI
HORIZONTAL DETAIL



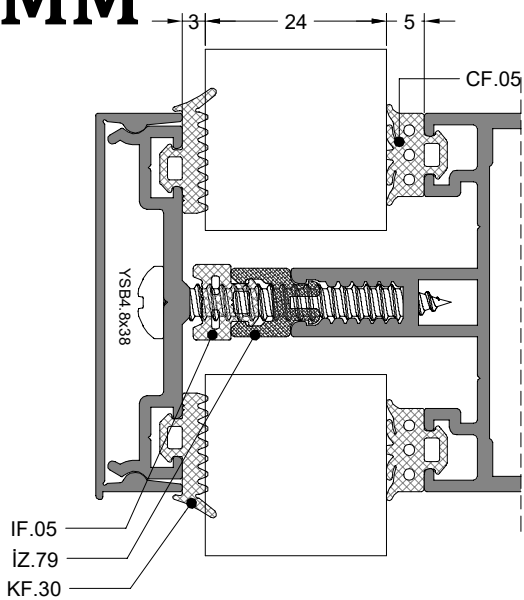
22 MM



YATAY DETAYI
HORIZONTAL DETAIL



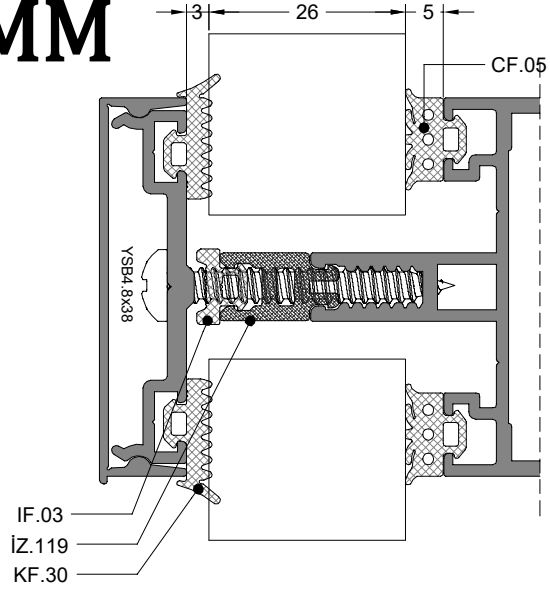
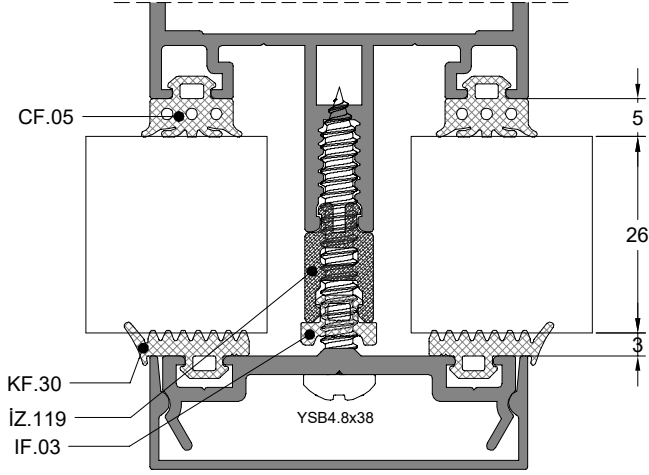
24 MM



YATAY DETAYI
HORIZONTAL DETAIL

DÜŞEY DETAYI
VERTICAL DETAIL

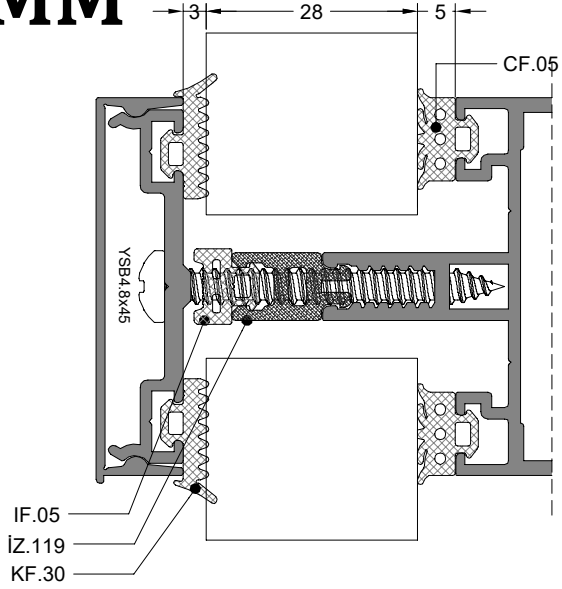
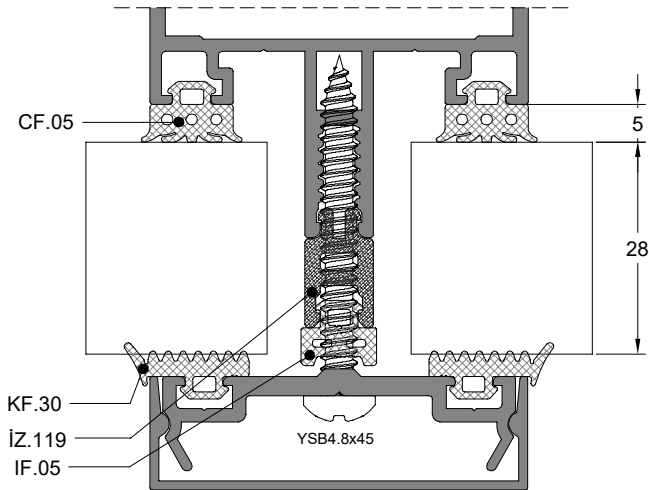
26 MM



YATAY DETAYI
HORIZONTAL DETAIL

DÜŞEY DETAYI
VERTICAL DETAIL

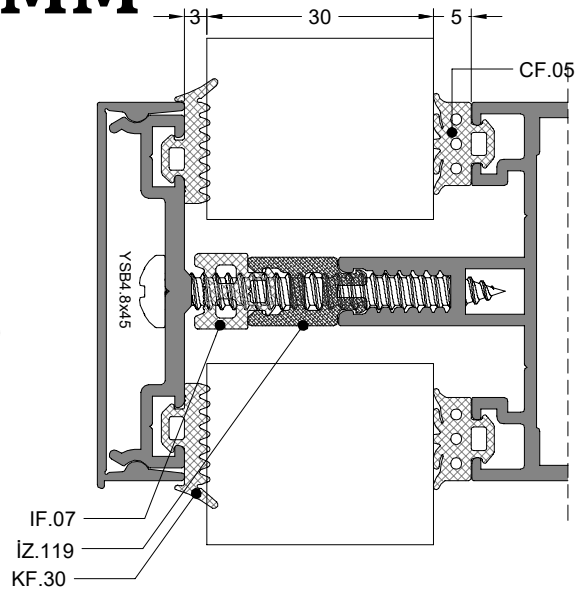
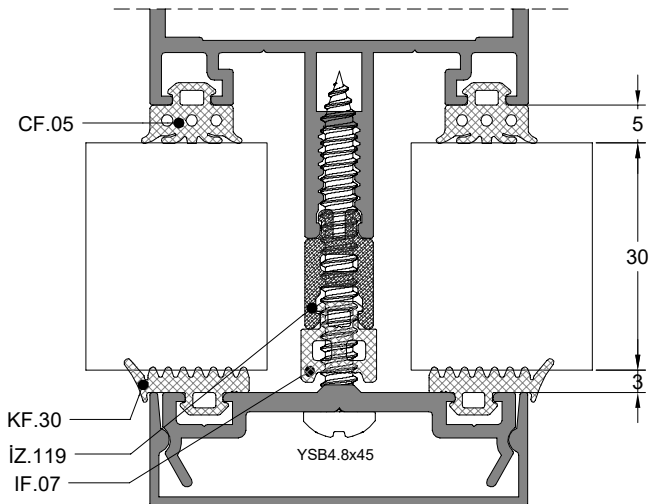
28 MM



YATAY DETAYI
HORIZONTAL DETAIL

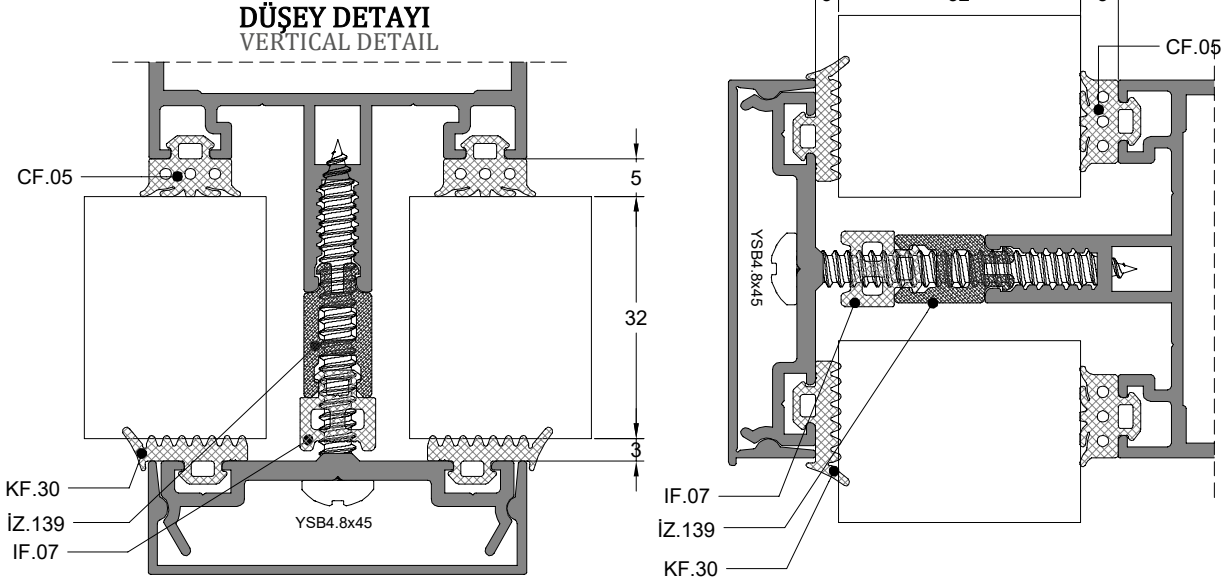
DÜŞEY DETAYI
VERTICAL DETAIL

30 MM

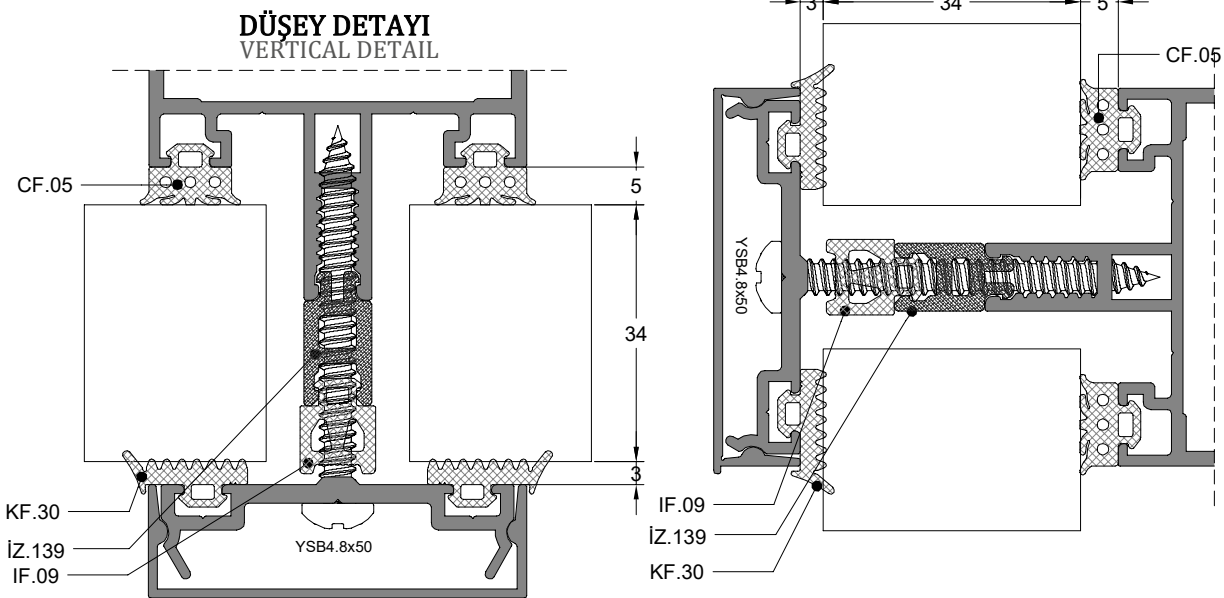


YATAY DETAYI
HORIZONTAL DETAIL

32 MM

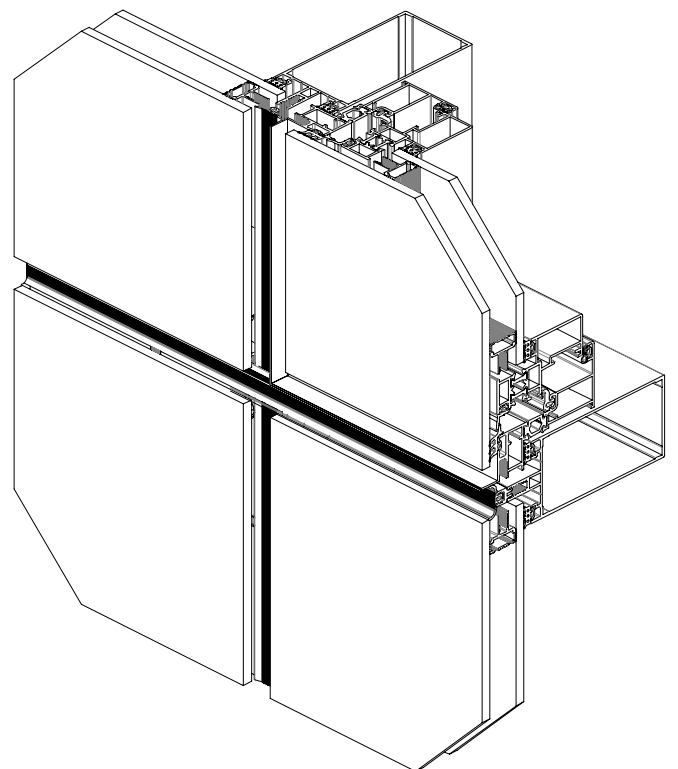


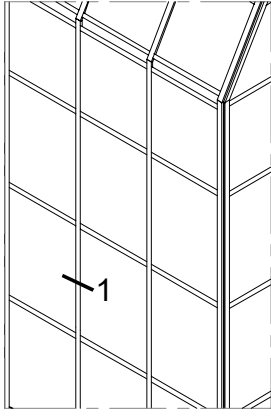
34 MM



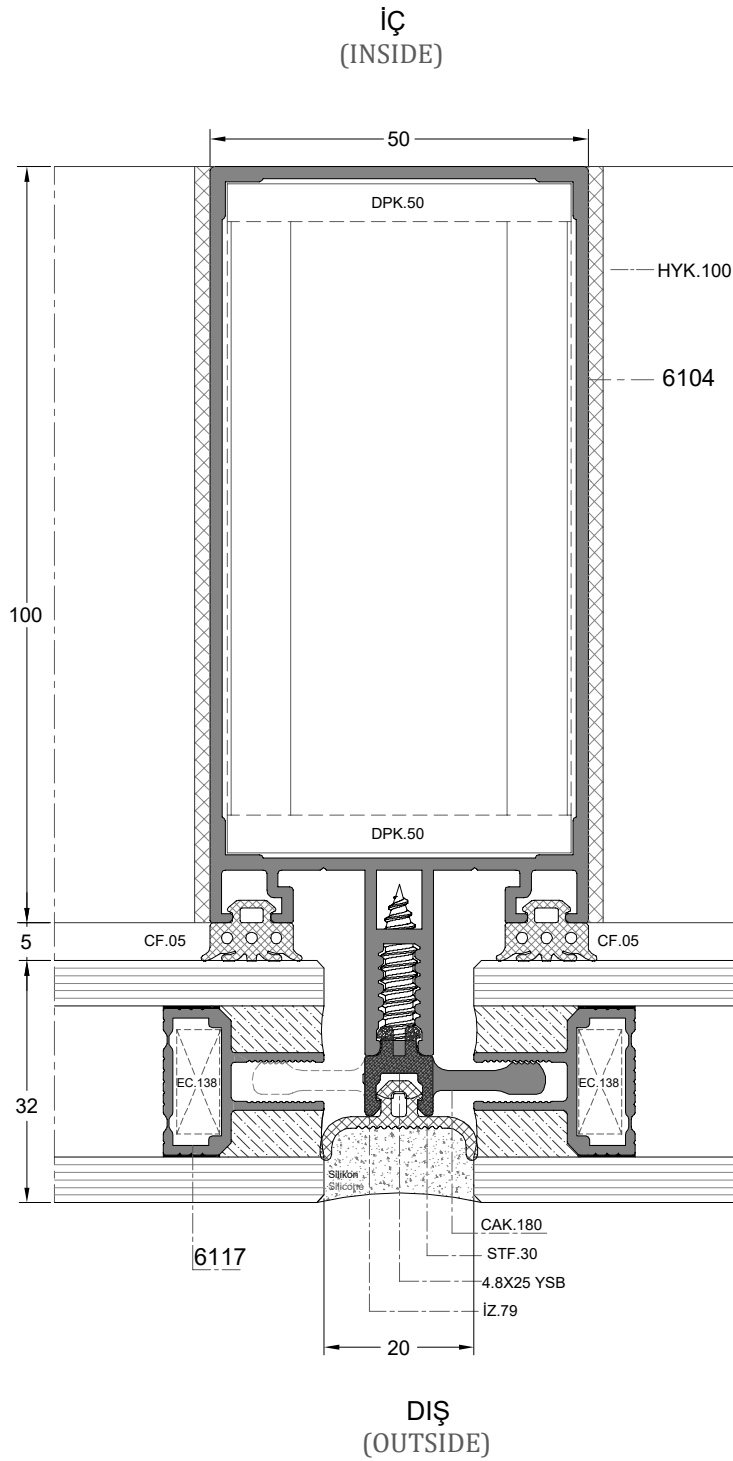
FS50ECO ENTEGRÉ CEPHE

FS50ECO INTEGRATED FACADE

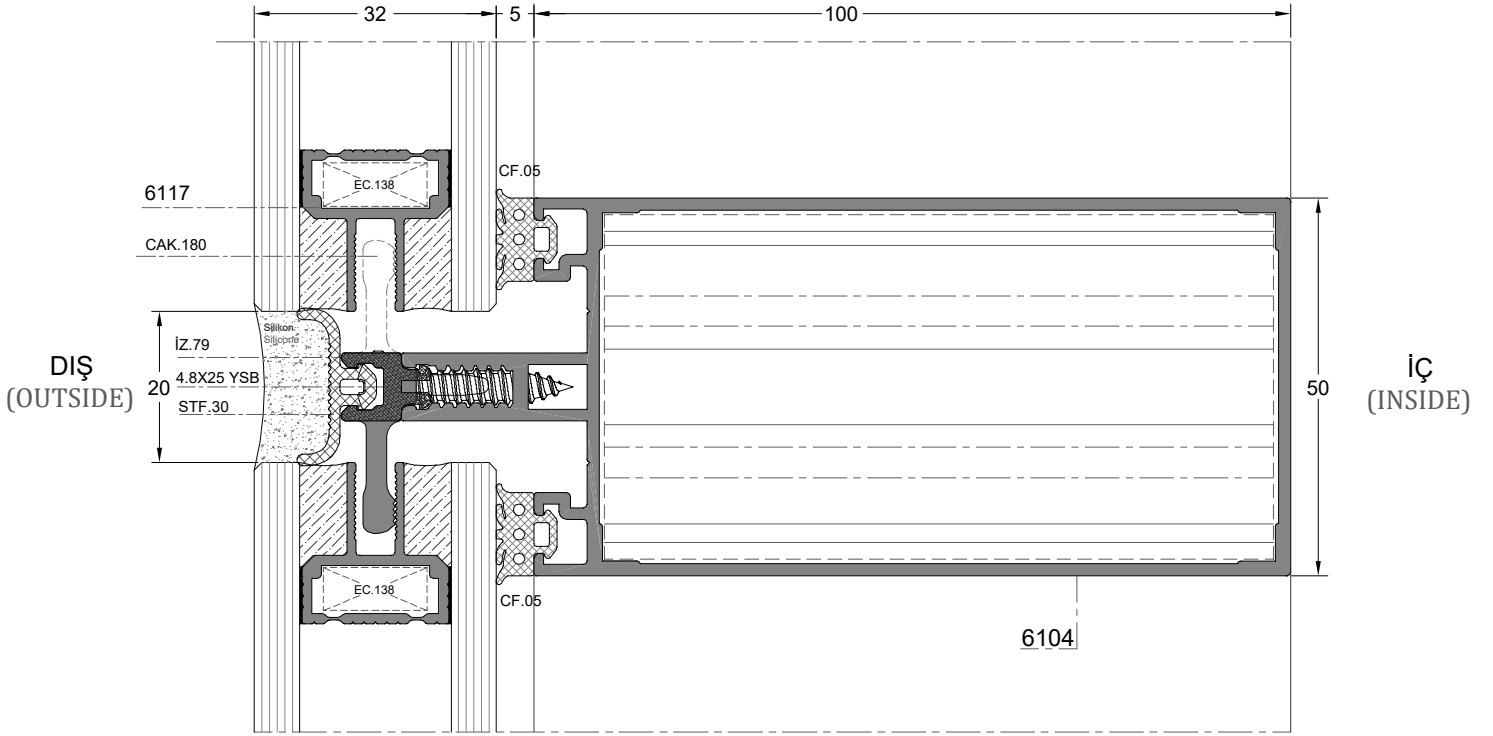
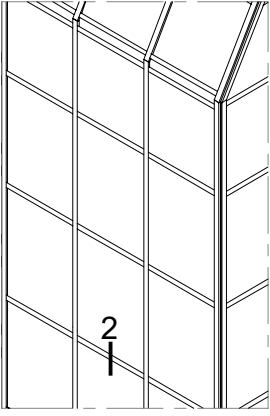


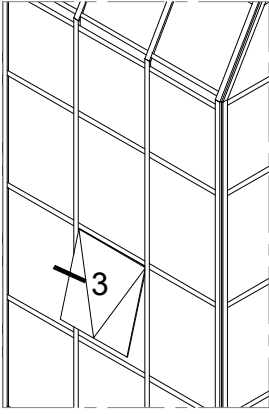


ENTEĞRE CEPHE DÜŞEY DETAYI
INTEGRATED FACADE VERTICAL DETAIL



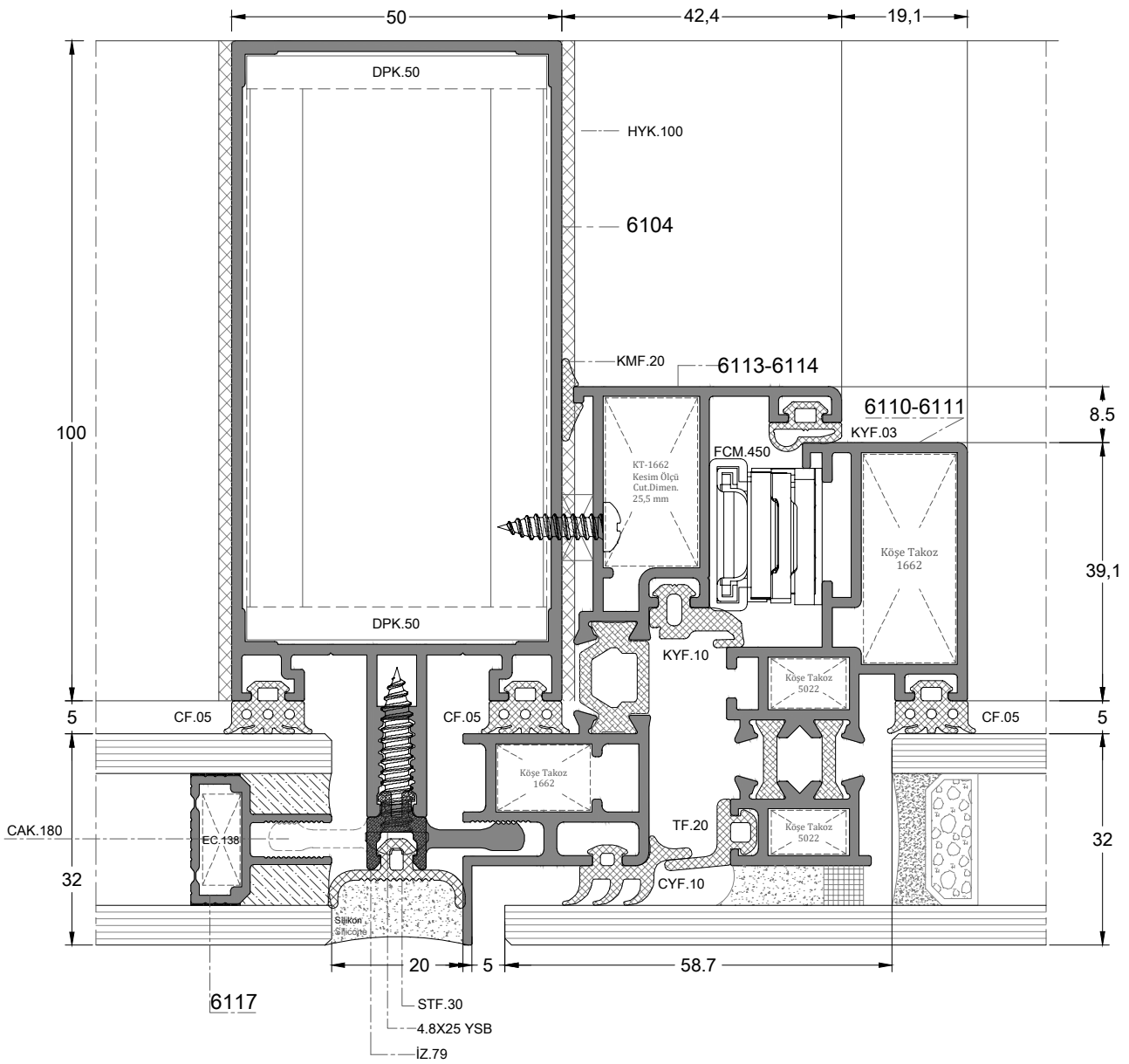
ENTEĞRE CEPHE YATAY DETAYI
INTEGRATED FACADE HORIZONTAL DETAIL





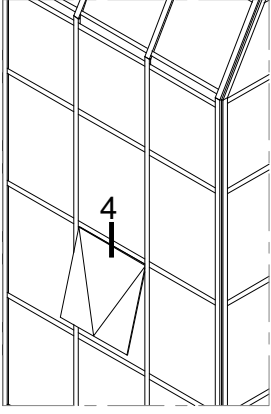
ENTEĞRE CEPHE AÇILIR KANAT DÜŞEY DETAYI
INTEGRATED FACADE OUTWARD OPENING SASH VERTICAL DETAIL

İÇ
(INSIDE)

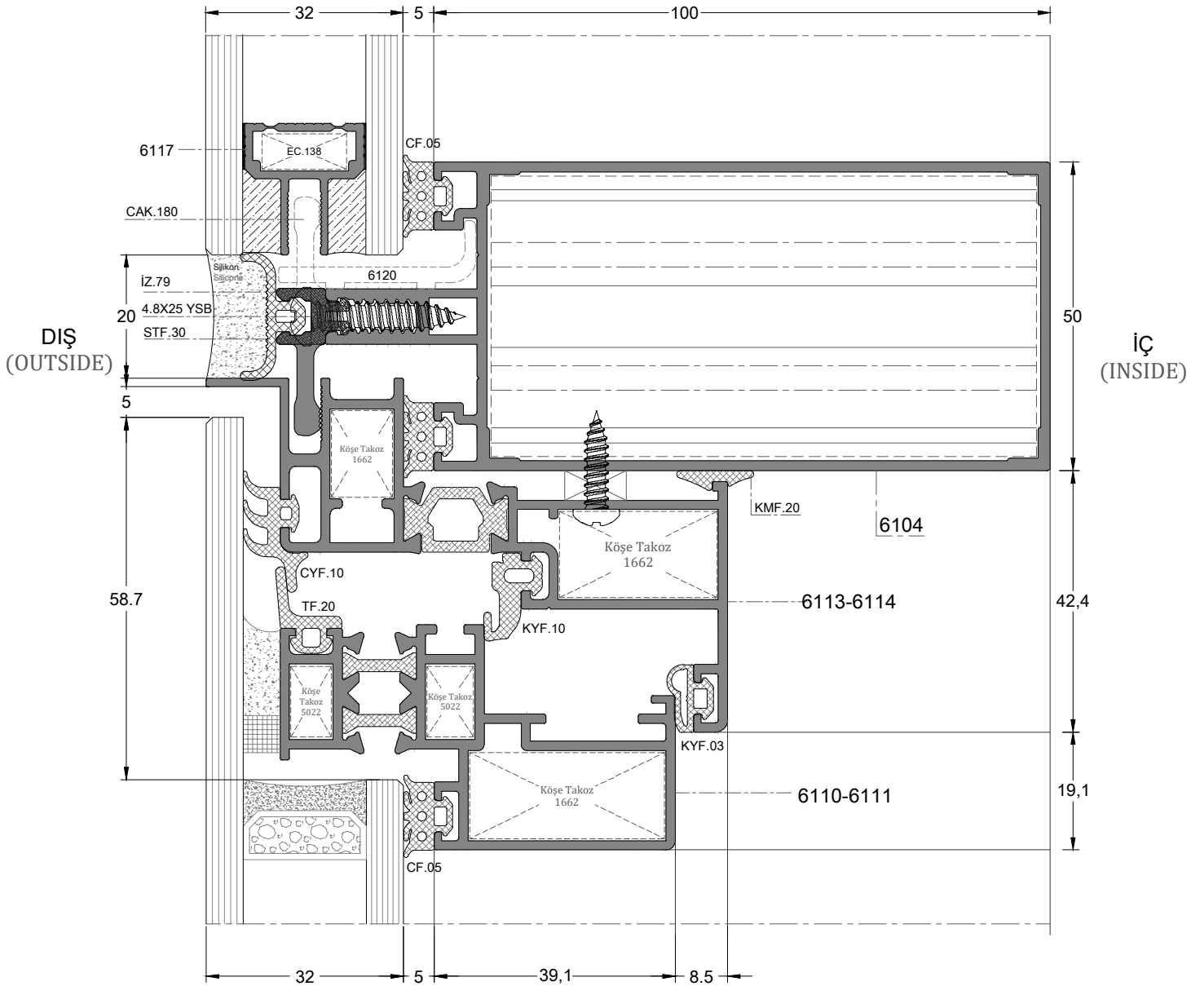


DIŞ
(OUTSIDE)

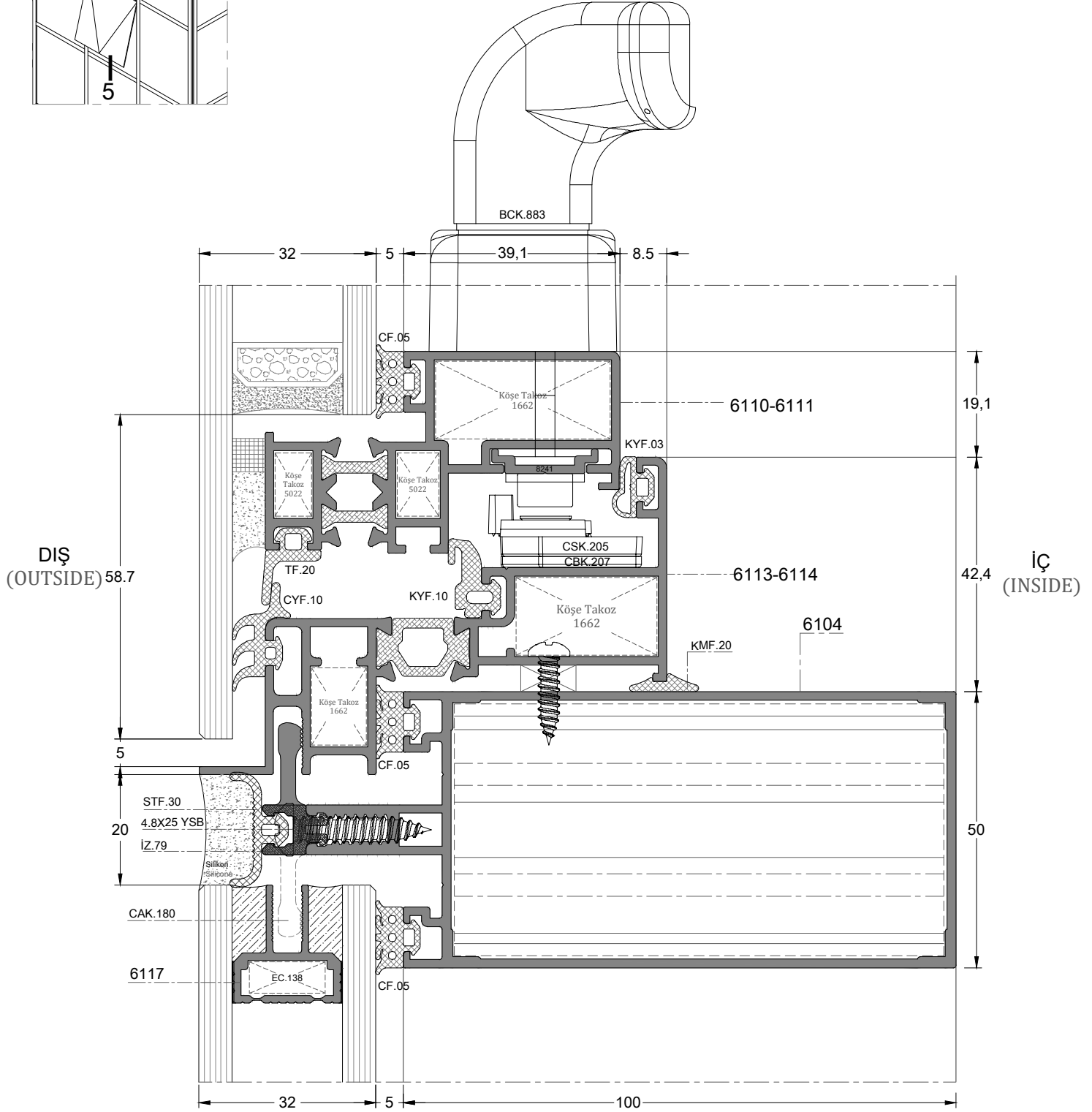
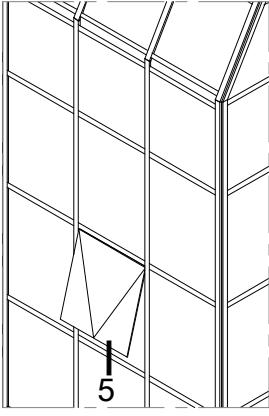
D-3

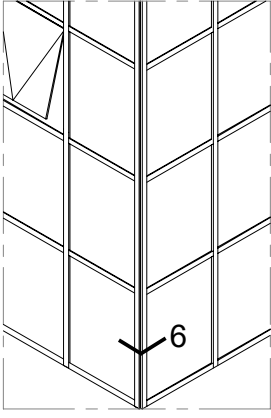


ENTEĞRE CEPHE AÇILIR KANAT YATAY DETAYI
INTEGRATED FACADE OUTWARD OPENING SASH HORIZONTAL DETAIL

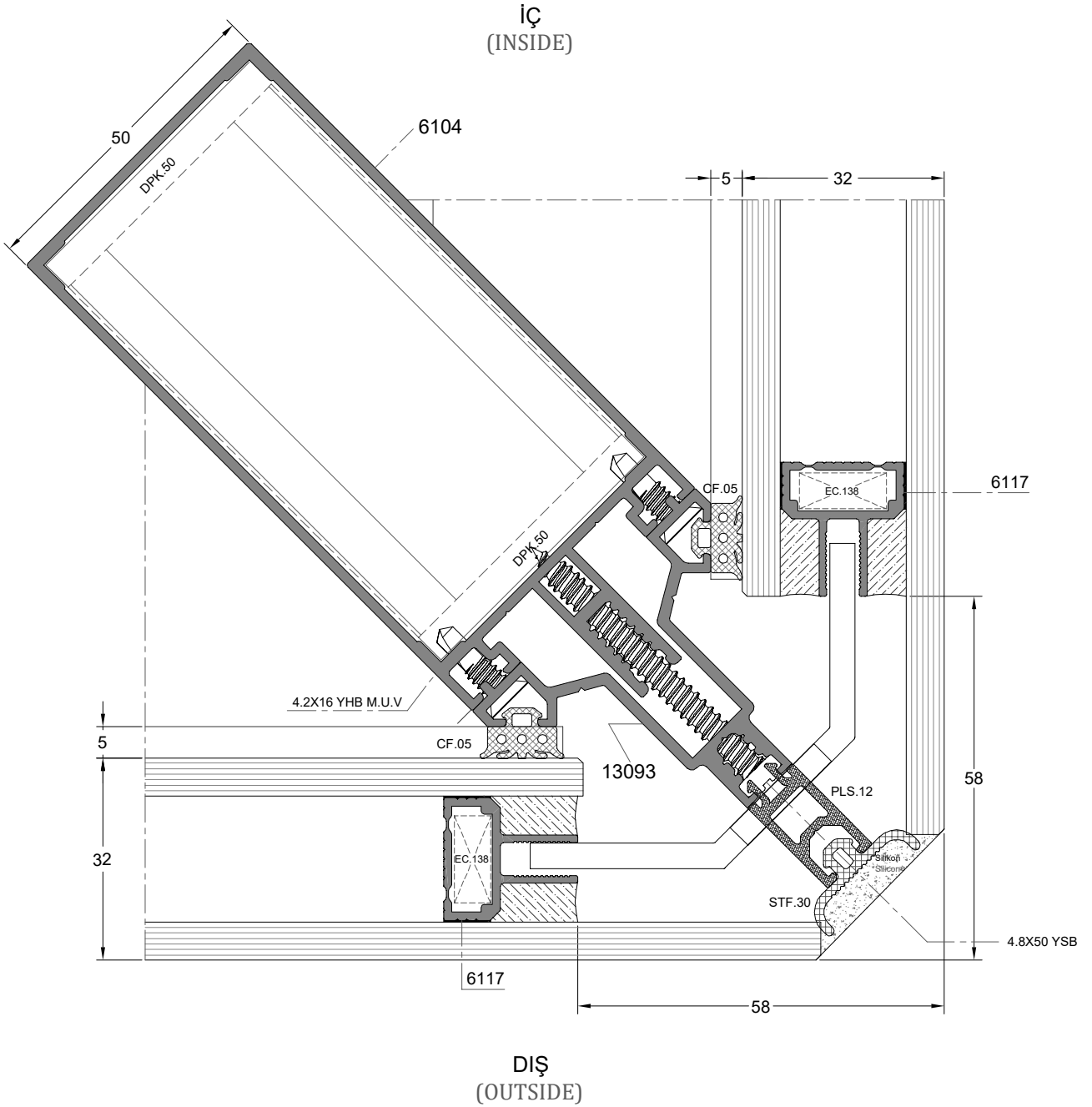


ENTEĞRE CEPHE AÇILIR KANAT YATAY DETAYI
INTEGRATED FACADE OUTWARD OPENING SASH HORIZONTAL DETAIL

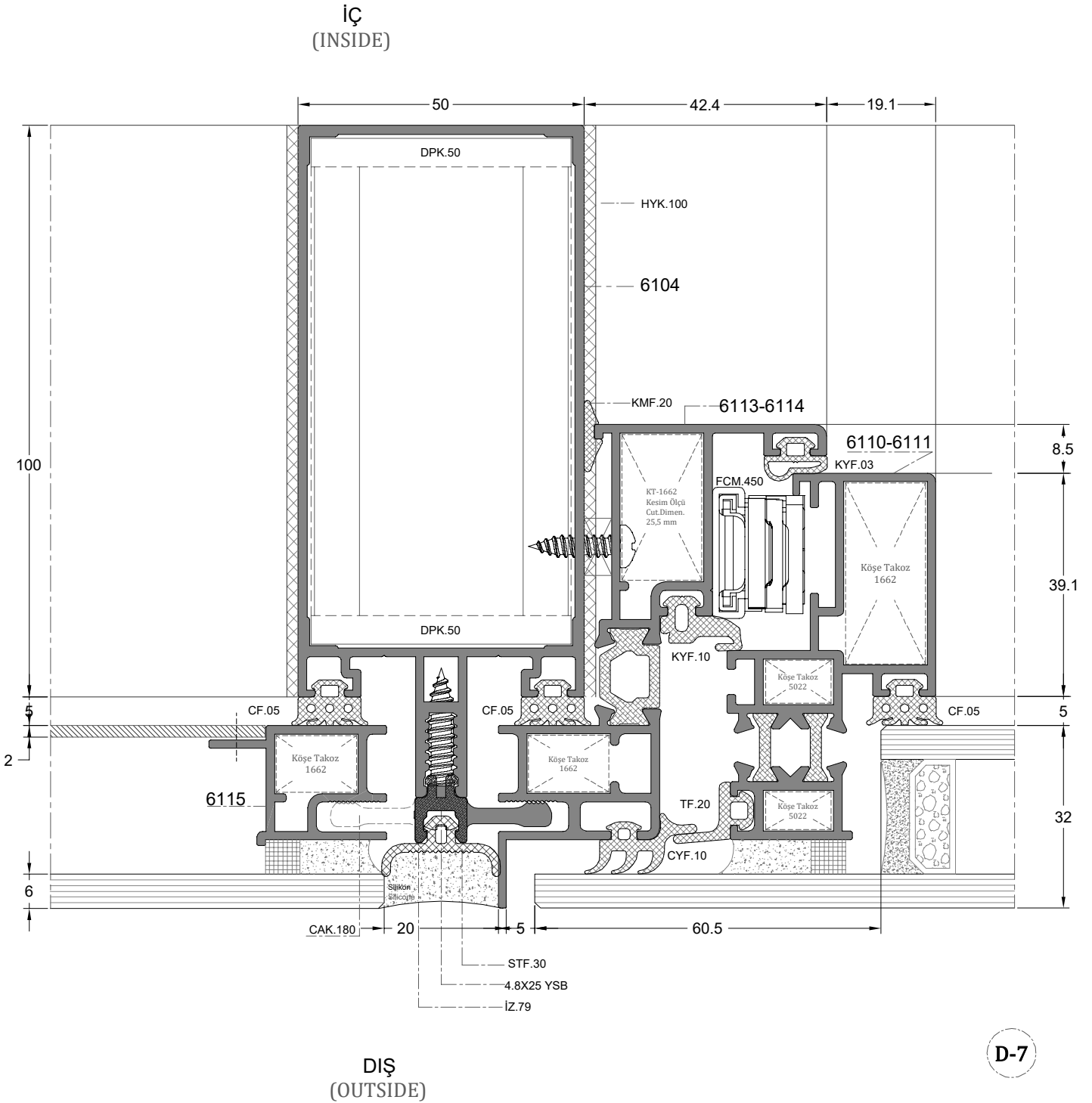
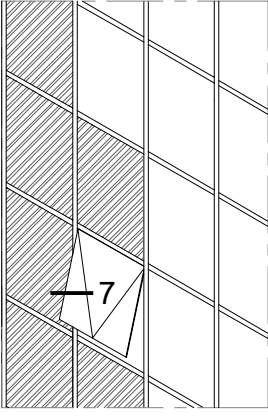




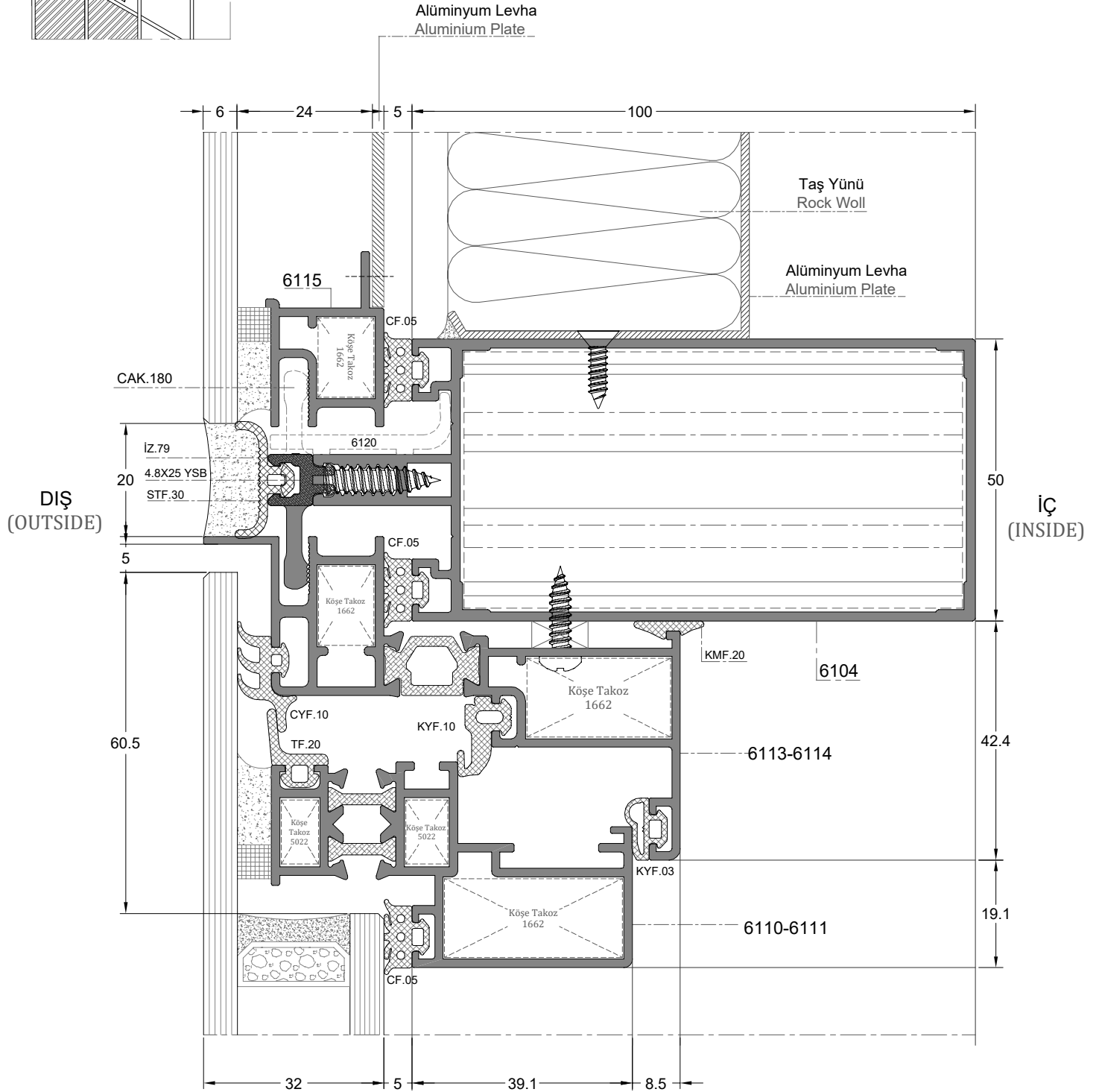
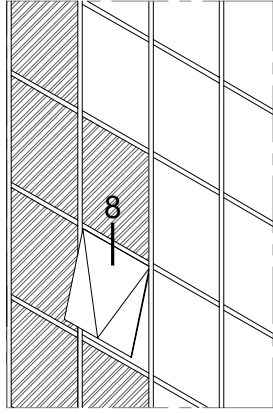
90° DIŞ AÇILI KÖŞE DÖNÜŞ ENTEGRE CEPHE DETAYI
90° OUTWARD ANGLED CORNER INTEGRATED FACADE



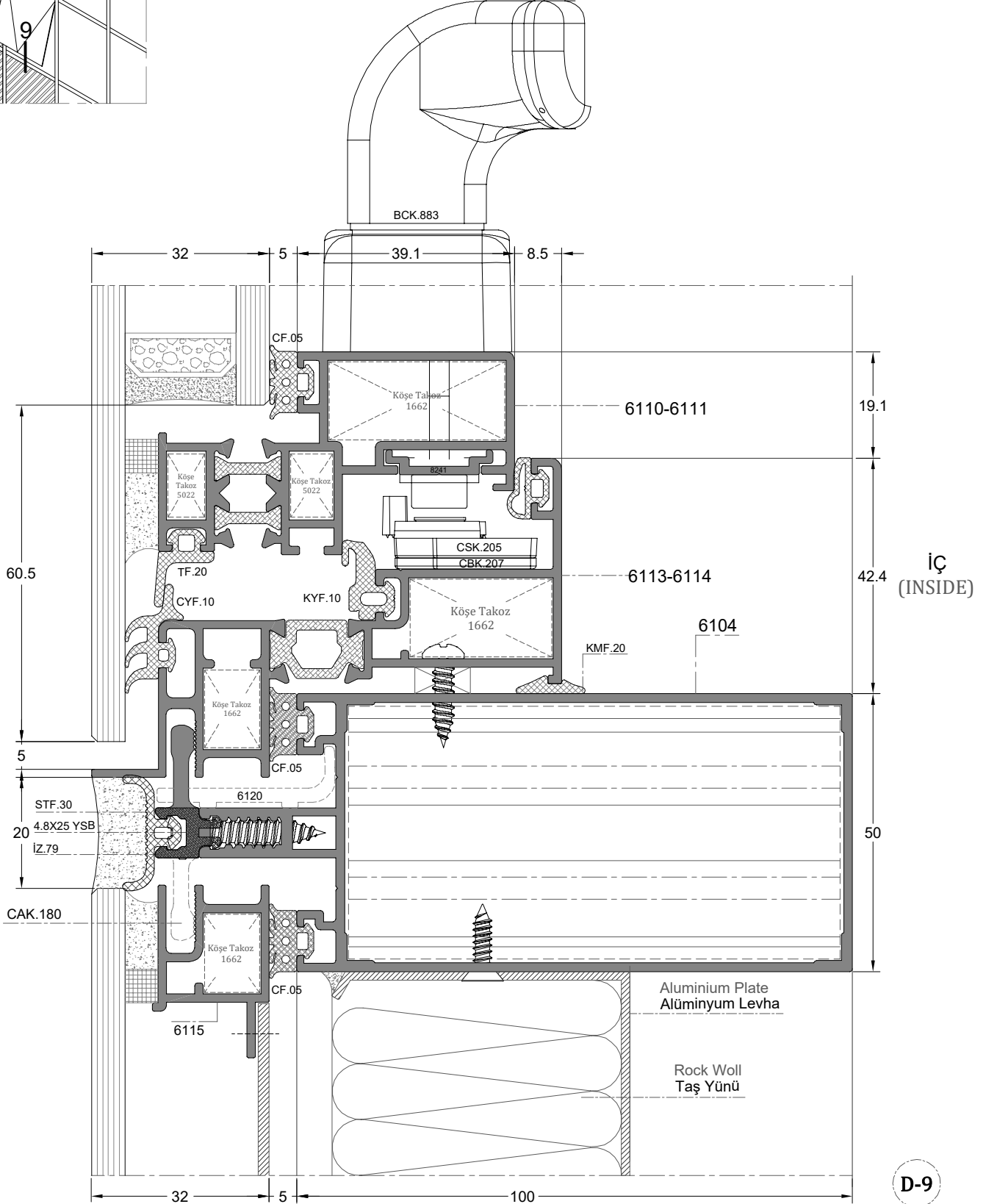
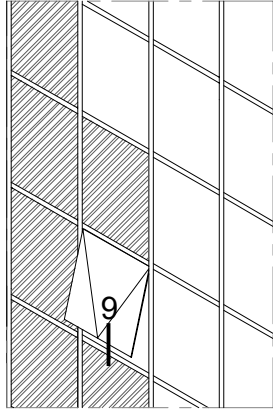
ENTEĞRE CEPHE SPANDEL BÖLGE DÜŞEY DETAYI
INTEGRATED FACADE SPANDEL SECTION VERTICAL DETAIL



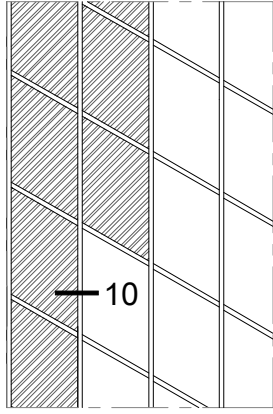
ENTEĞRE CEPHE SPANDREL BÖLGE YATAY DETAYI
INTEGRATED FACADE SPANDREL SECTION HORIZONTAL DETAIL



ENTEĞRE CEPHE SPANDREL BÖLGE YATAY DETAYI
INTEGRATED FACADE SPANDREL SECTION HORIZONTAL DETAIL

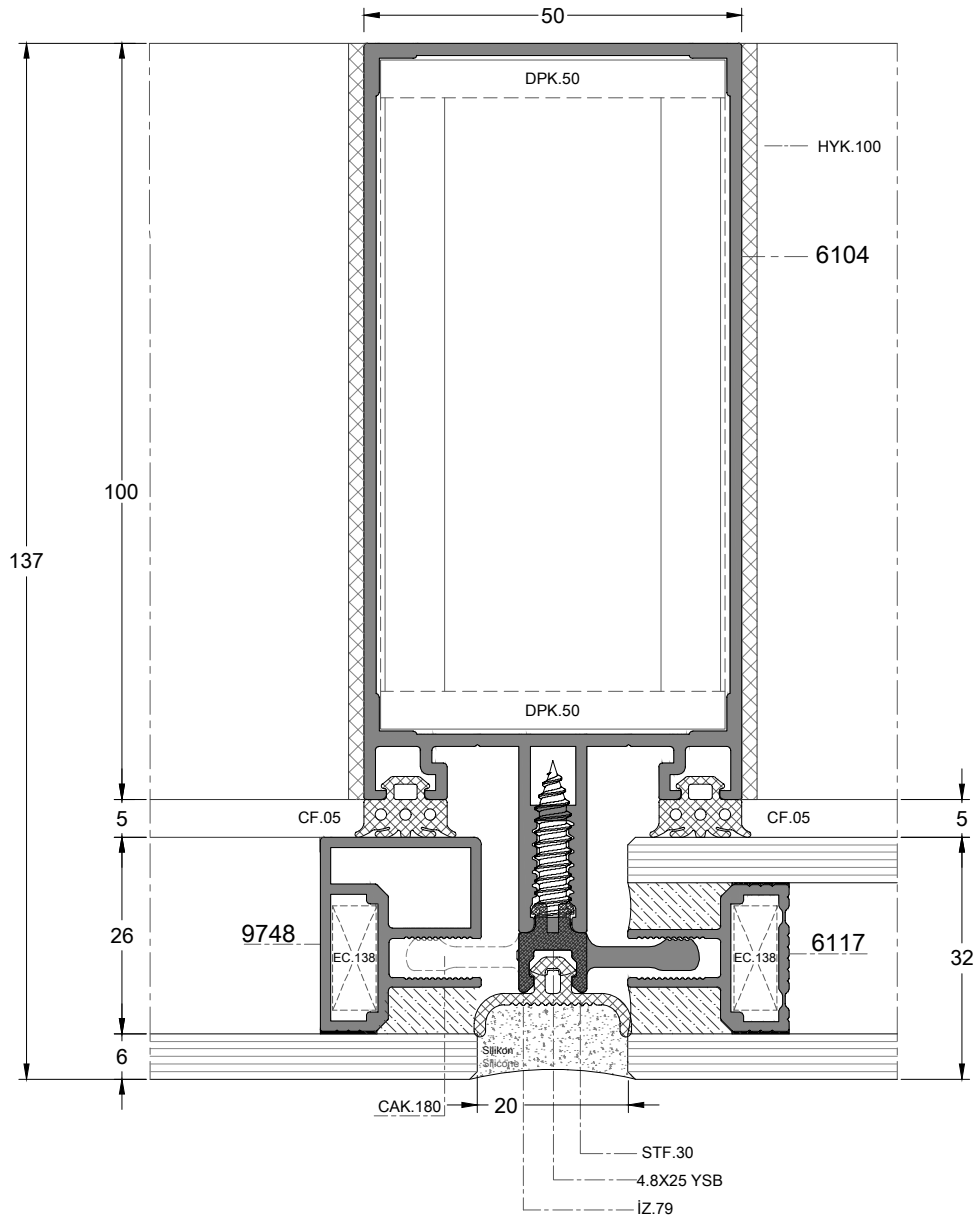


D-9



ENTEĞRE CEPHE SPANDREL BÖLGE DÜŞEY DETAYI
INTEGRATED FACADE SPANDREL SECTION VERTICAL DETAIL

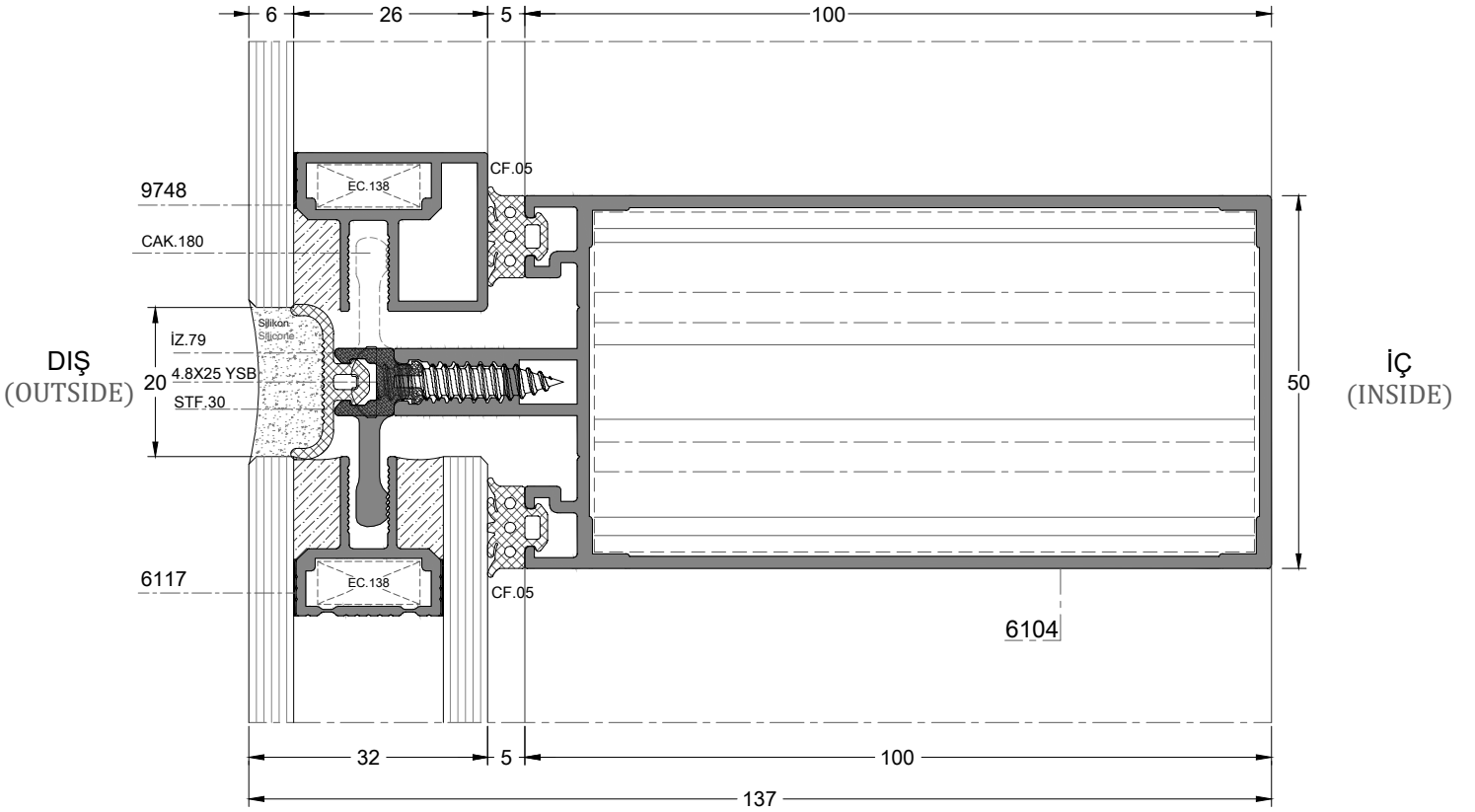
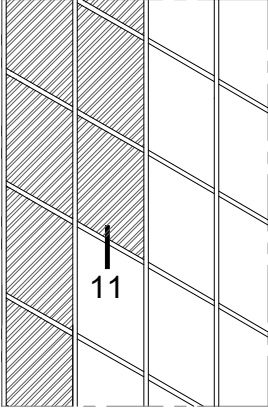
İÇ
(INSIDE)

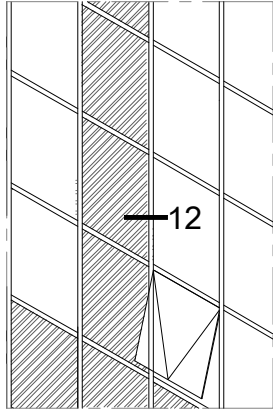


DIŞ
(OUTSIDE)

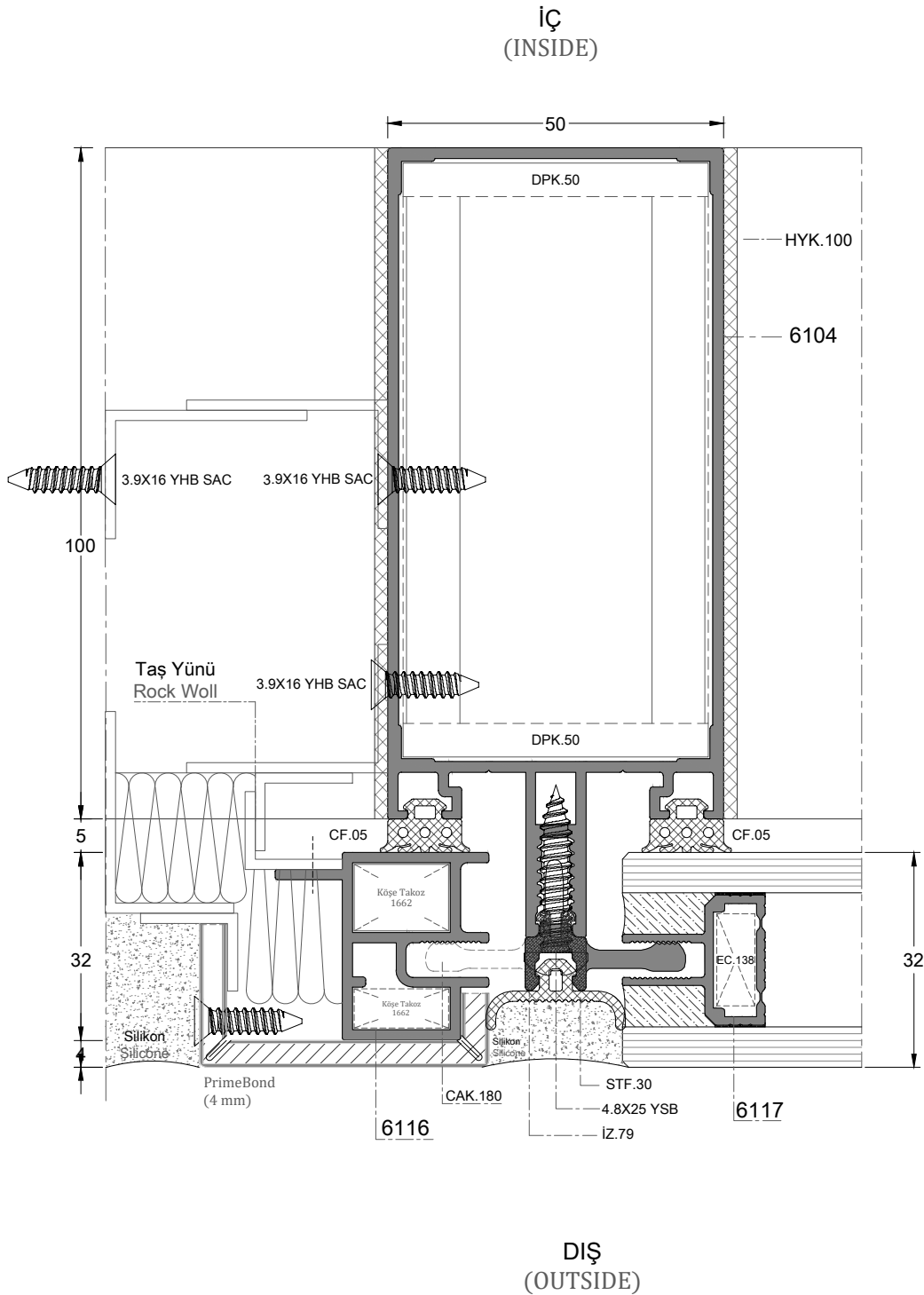
D-10

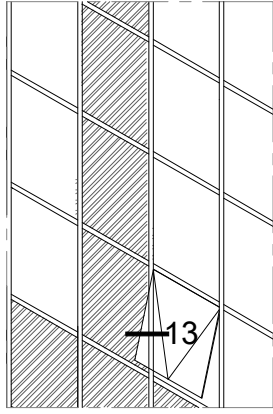
ENTEĞRE CEPHE SPANDREL BÖLGE YATAY DETAYI
INTEGRATED FACADE SPANDREL SECTION HORIZONTAL DETAIL



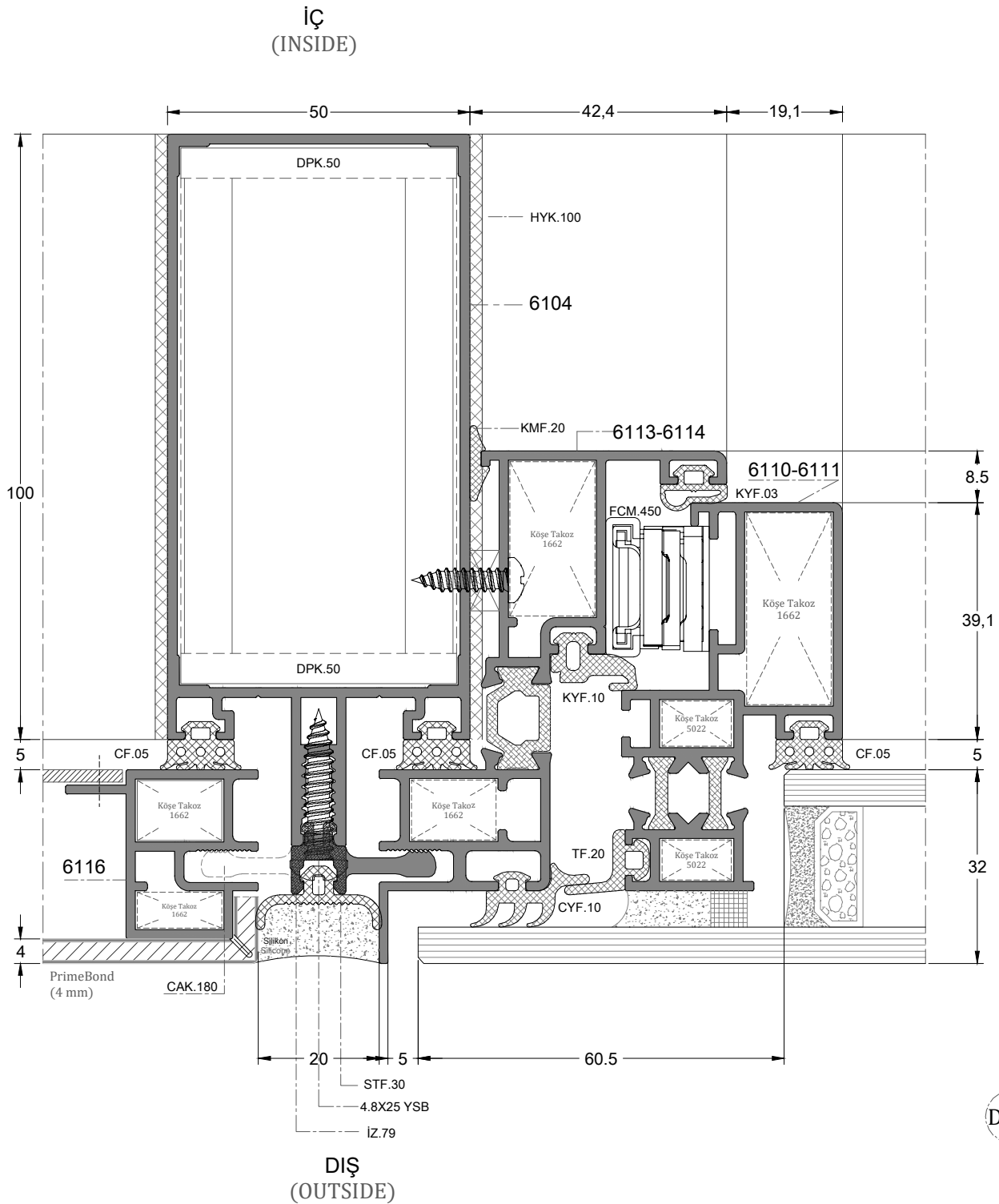


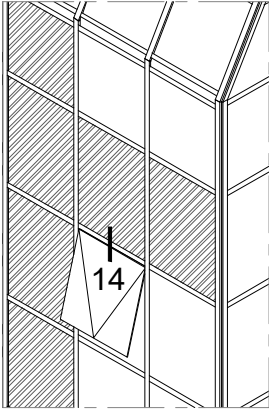
ENTEĞRE CEPHE SPANDREL BÖLGE DÜŞEY DETAYI
INTEGRATED FACADE SPANDREL SECTION VERTICAL DETAIL



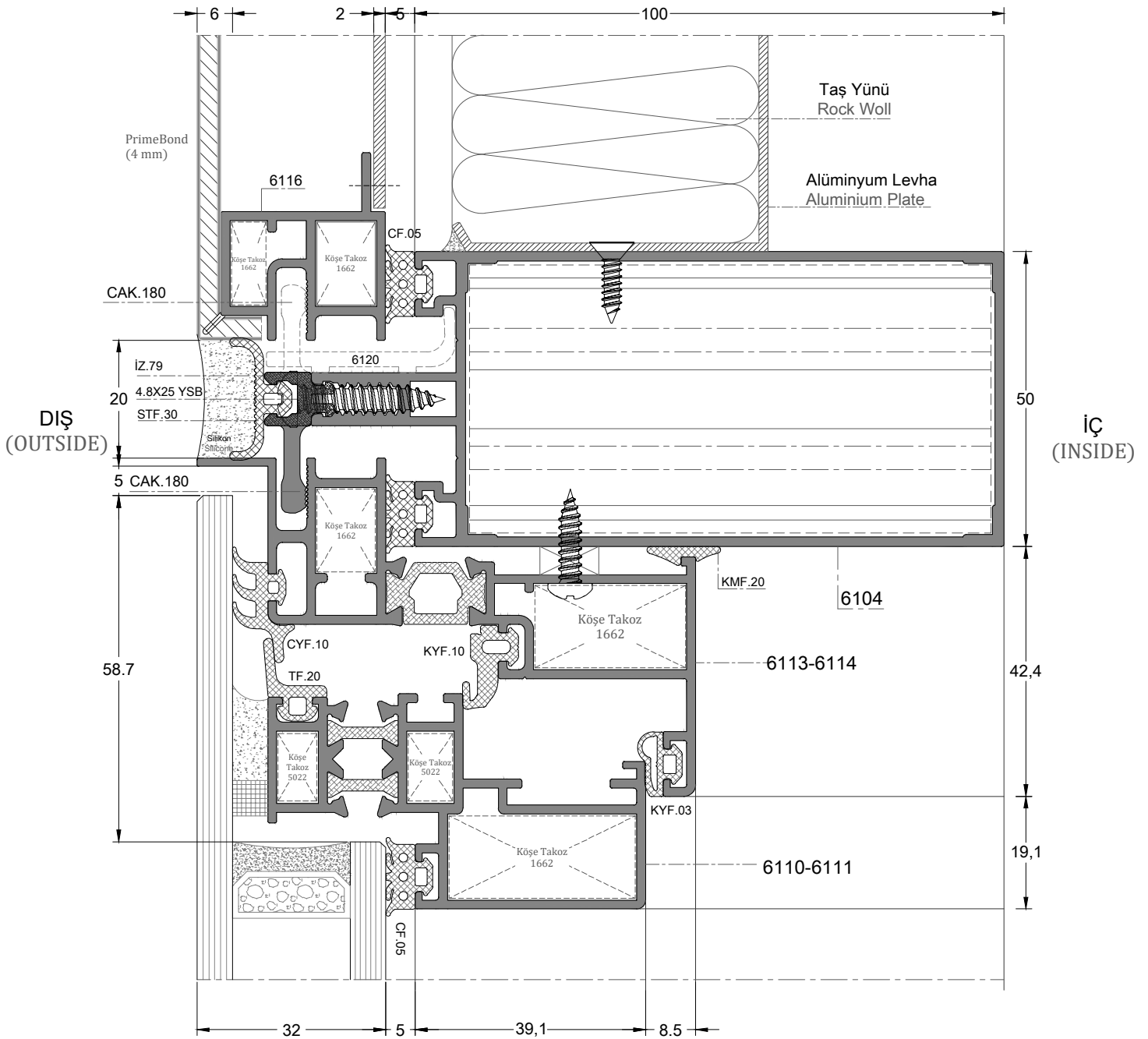


ENTEĞRE CEPHE SPANDREL BÖLGE -
AÇILIR KANAT DÜŞEY DETAYI
INTEGRATED FACADE SPANDREL SECTION -
OUTWARD OPENING SASH VERTICAL DETAIL

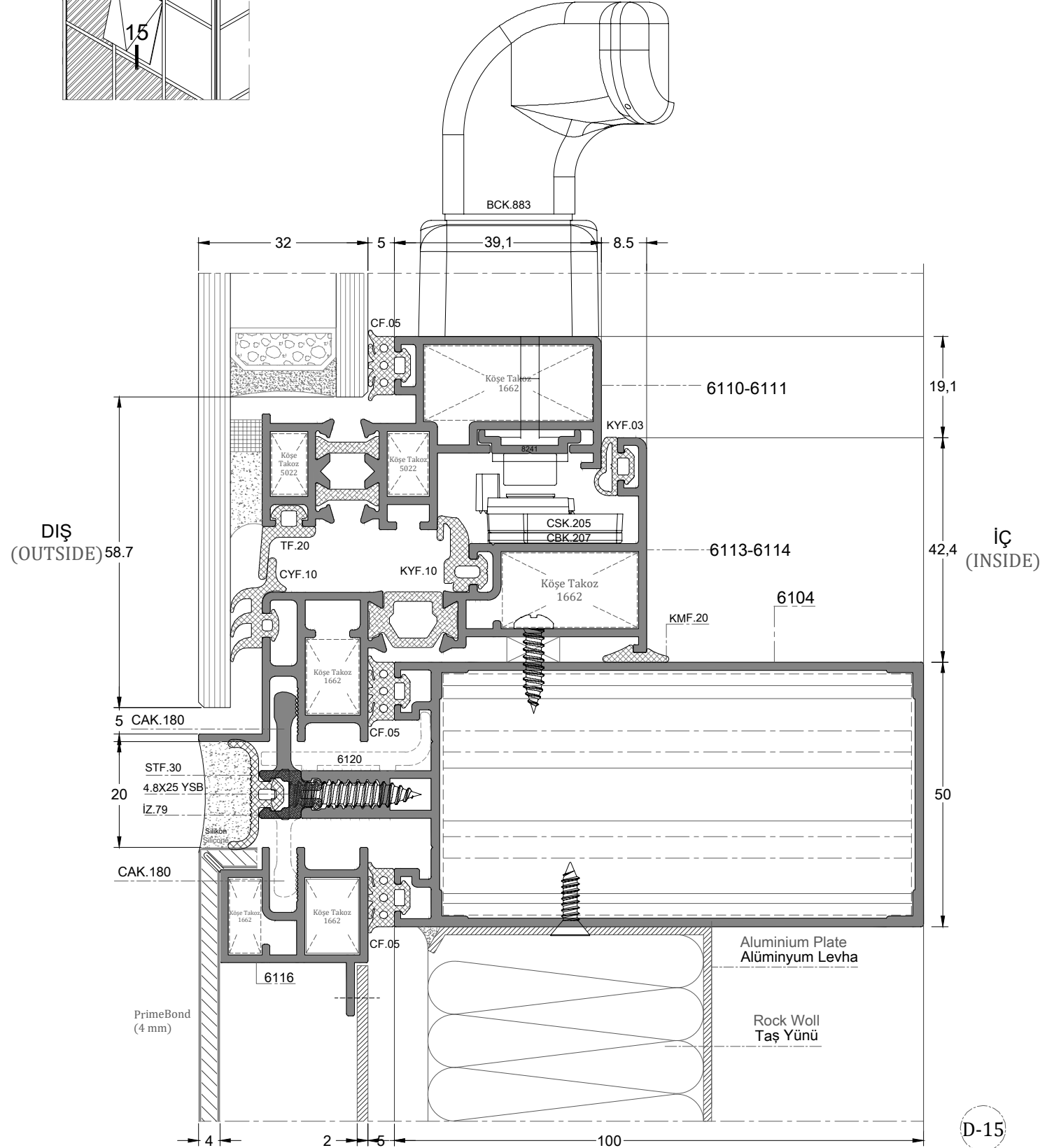
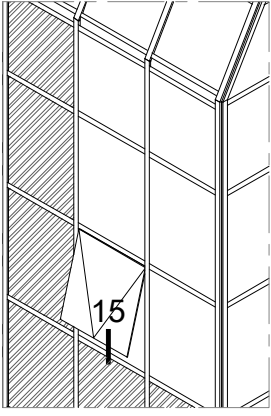


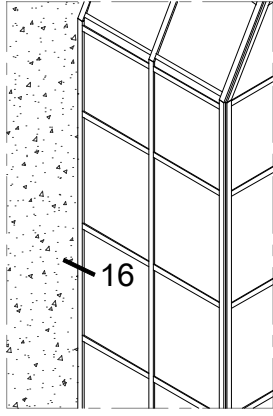


ENTEĞRE CEPHE SPANDREL BÖLGE -
AÇILIR KANAT YATAY DETAYI
INTEGRATED FACADE SPANDREL SECTION -
OUTWARD OPENING SASH HORIZONTAL DETAIL

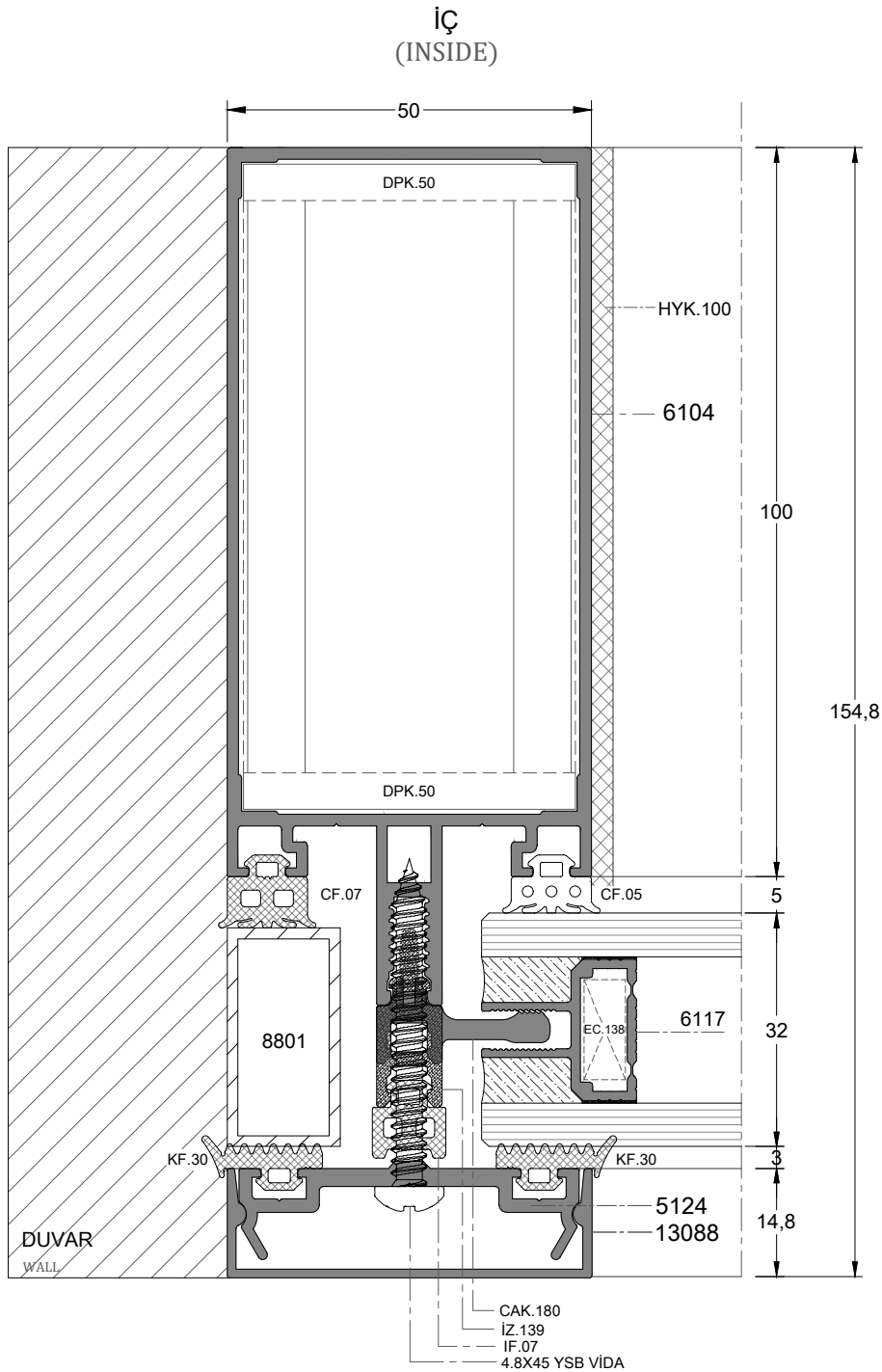


ENTEĞRE CEPHE SPANDREL BÖLGE -
AÇILIR KANAT YATAY DETAYI
INTEGRATED FACADE SPANDREL SECTION -
OUTWARD OPENING SASH HORIZONTAL DETAIL





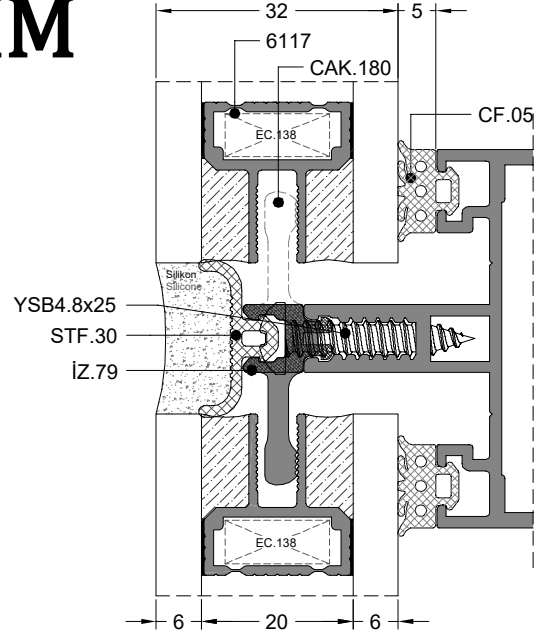
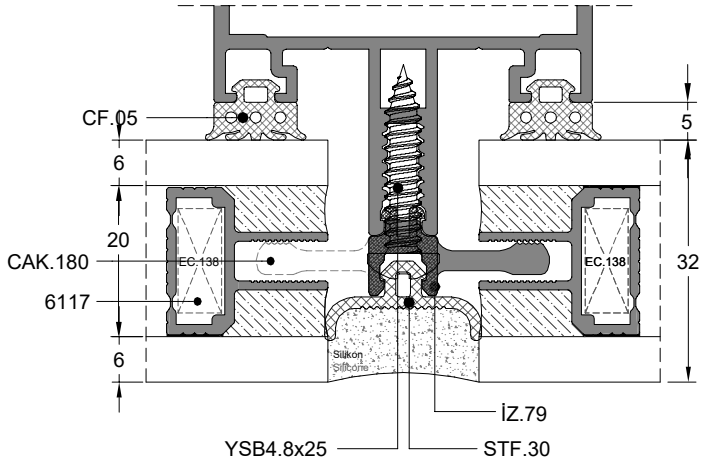
ENTEĞRE CEPHE DUVAR BİTİŞ DETAYI
INTEGRATED FACADE WALL FINISH DETAIL



DIŞ
(OUTSIDE)

32 MM

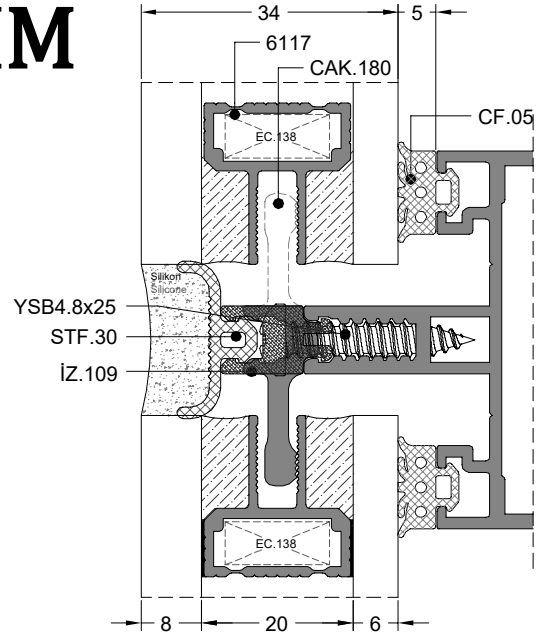
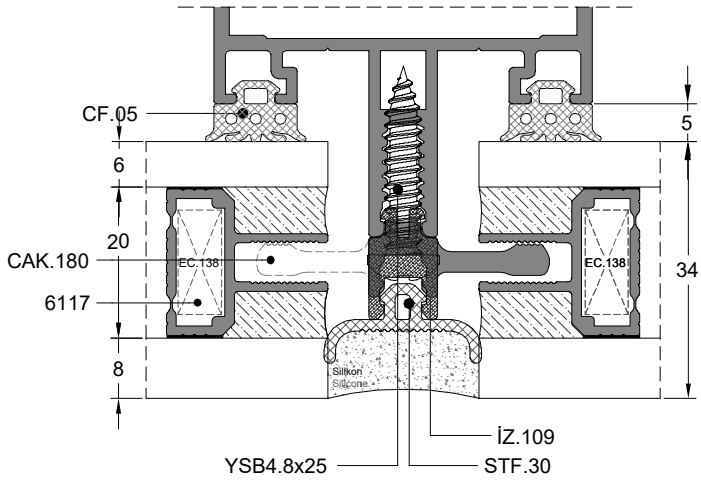
DÜŞEY DETAYI
VERTICAL DETAIL



YATAY DETAYI
HORIZONTAL DETAIL

34 MM

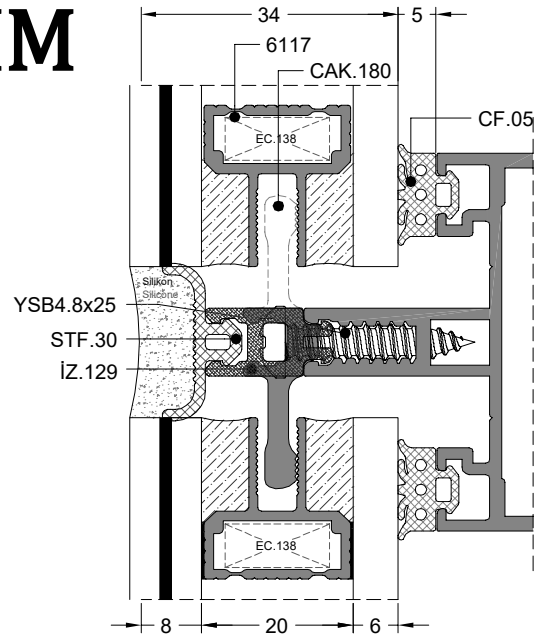
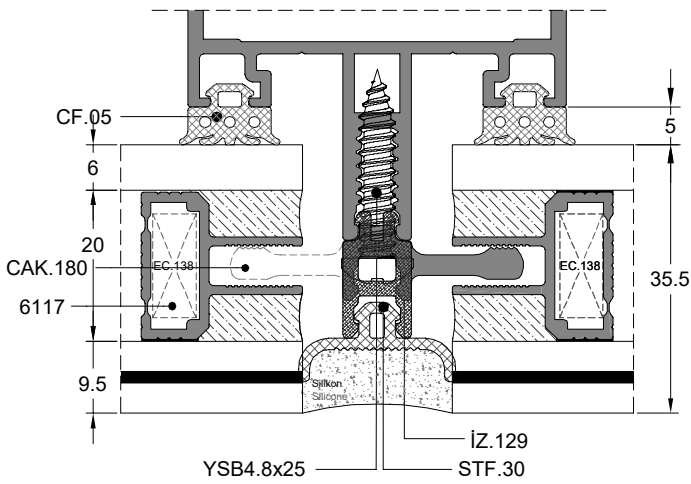
DÜŞEY DETAYI
VERTICAL DETAIL



YATAY DETAYI
HORIZONTAL DETAIL

36 MM

DÜŞEY DETAYI
VERTICAL DETAIL



YATAY DETAYI
HORIZONTAL DETAIL

FS50ECO 3D

MONTAJ

TALİMATLARI

FS50ECO 3D

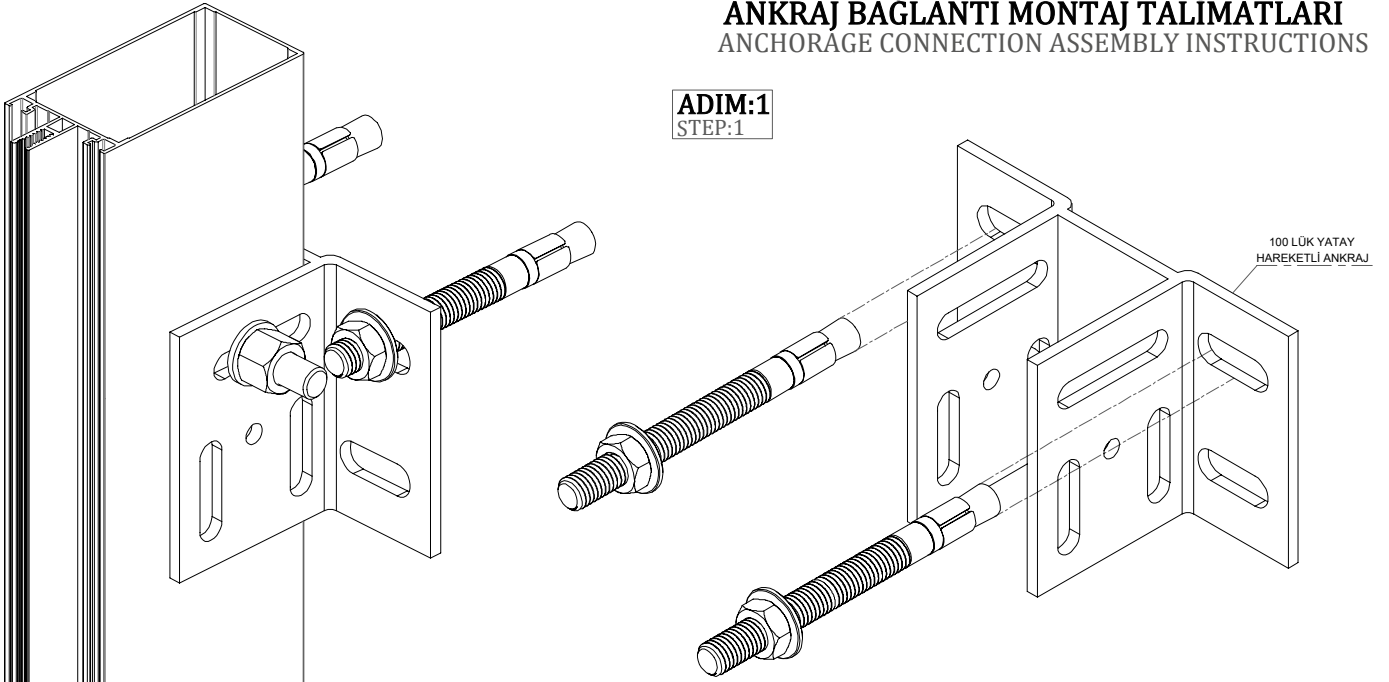
ASSEMBLY

INSTRUCTIONS

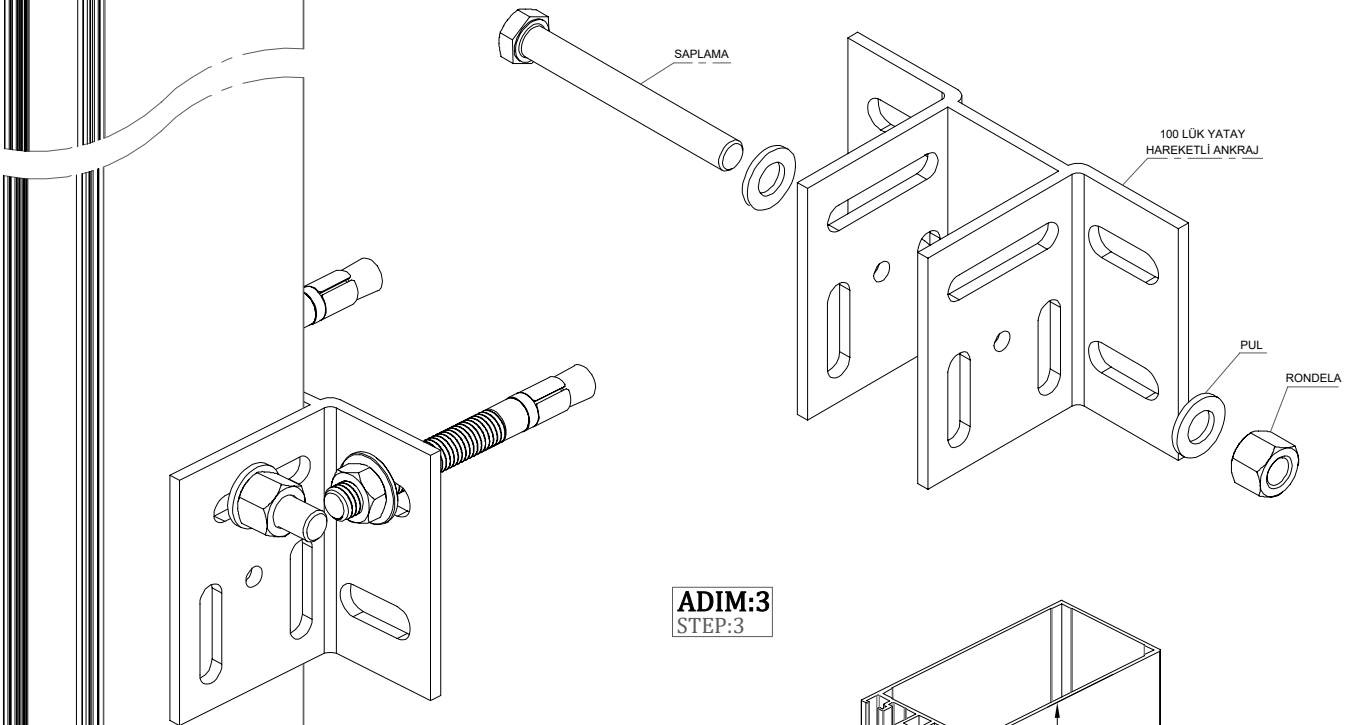


ANKRAJ BAĞLANTI MONTAJ TALİMATLARI
ANCHORAGE CONNECTION ASSEMBLY INSTRUCTIONS

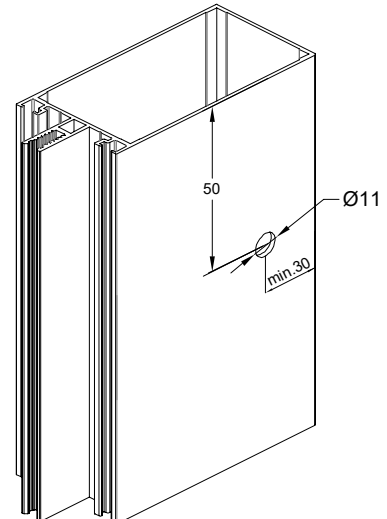
ADIM:1
STEP:1



ADIM:2
STEP:2

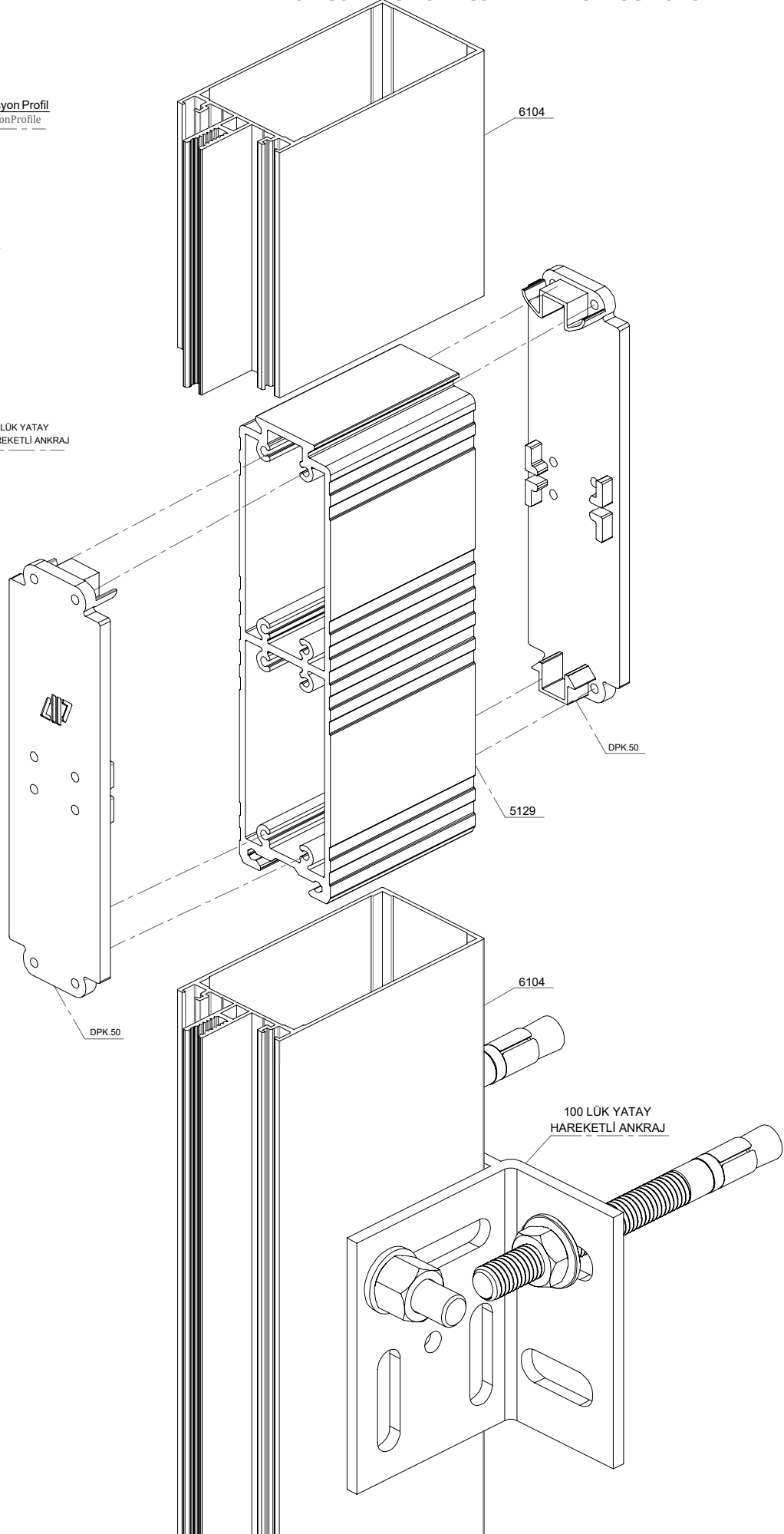
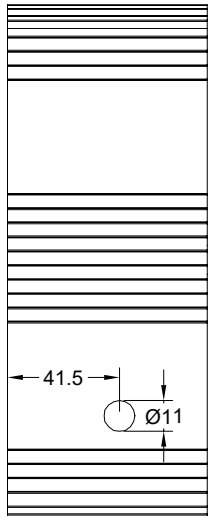
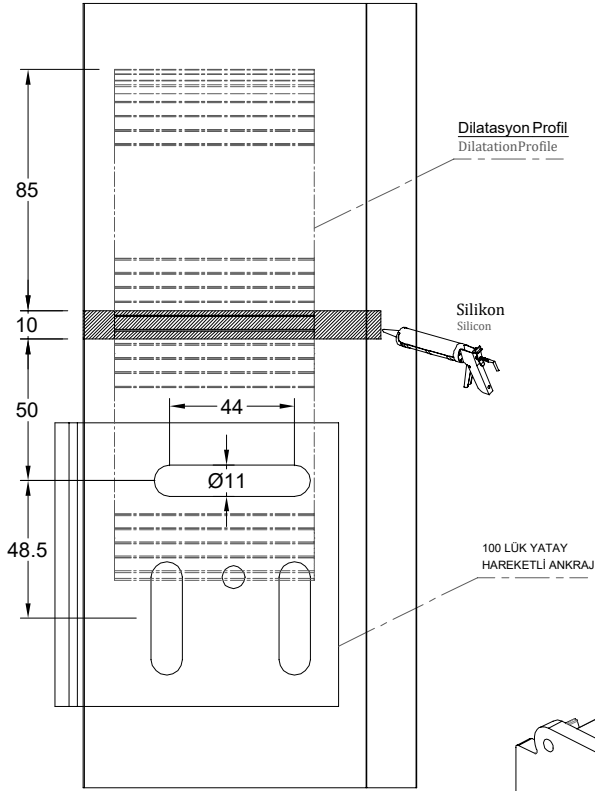


ADIM:3
STEP:3



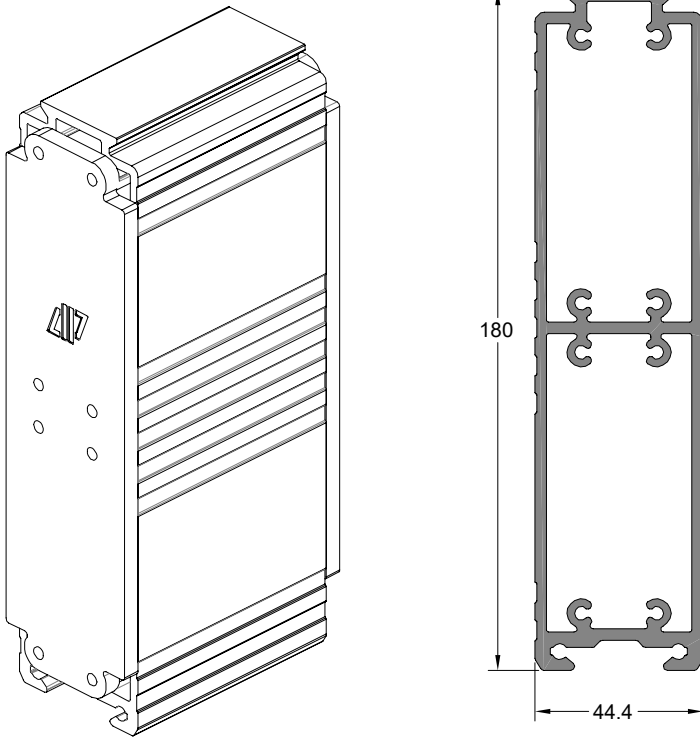


DİLATASYON BAĞLANTI MONTAJ TALİMATLARI
DILATATION CONNECTION ASSEMBLY INSTRUCTIONS





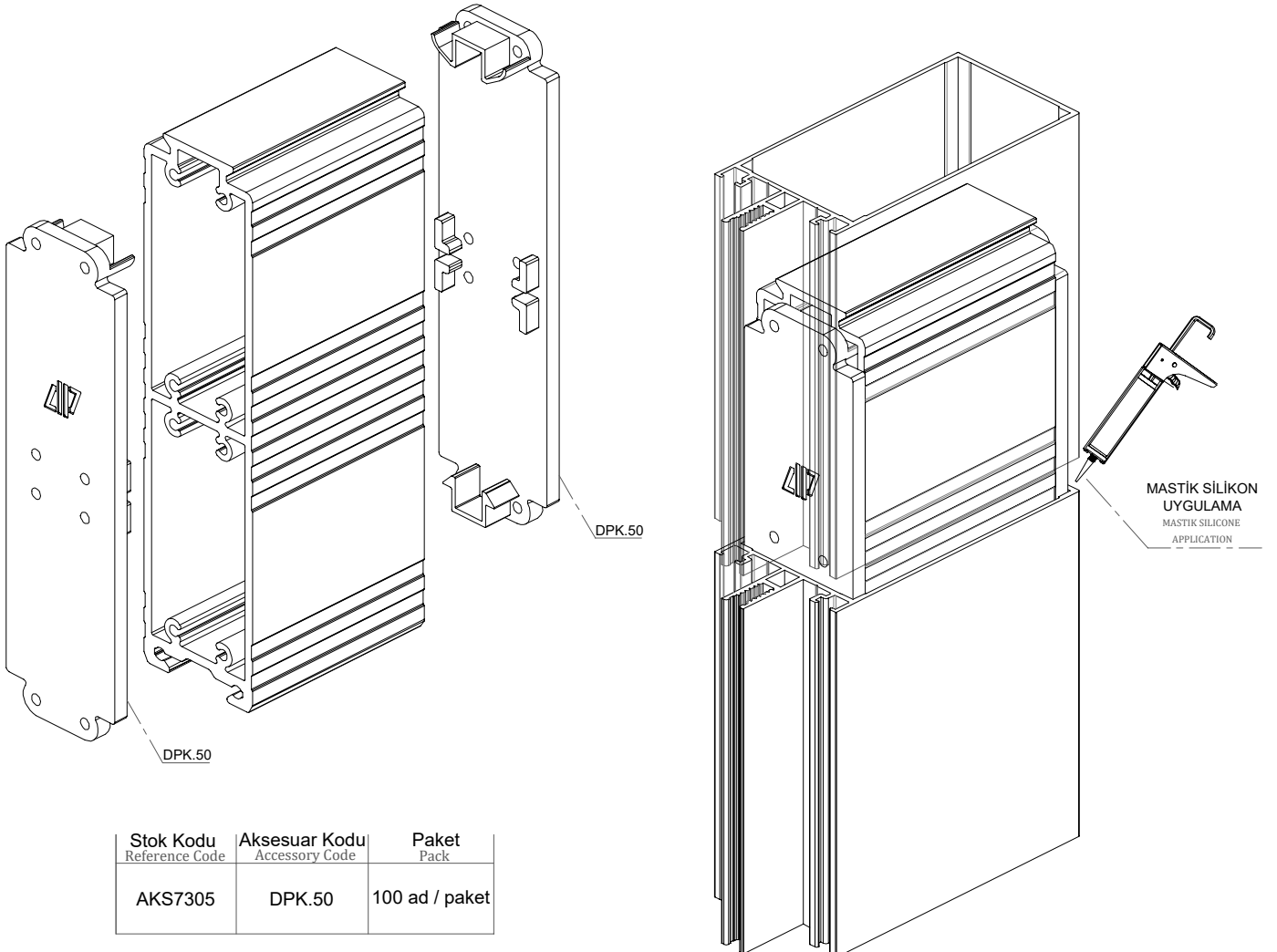
DİLATASYON BAĞLANTI MONTAJ TALİMATLARI
DILATATION CONNECTION ASSEMBLY INSTRUCTIONS



Kullanıldığı Profil (Düsey) Used Profile (Vertical)	Kesim Boyu (mm) Cutting Length (mm)
6108	38,50 mm
6109	38,50 mm
6133	58,50 mm
6106	58,50 mm
6107	58,50 mm
6105	78,50 mm
6104	78,50 mm
6103	88,50 mm
6102	88,50 mm
6101	115,70 mm
6100	115,70 mm

Dilatasyon Profili DILATATION PROFILE	Profil Kodu Profile Code	(kg/mt) Weight
	5129	4,656

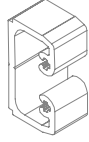
!!! BÜTÜN DÜŞEY PROFİLLERLE UYUMLU ÇALIŞIR

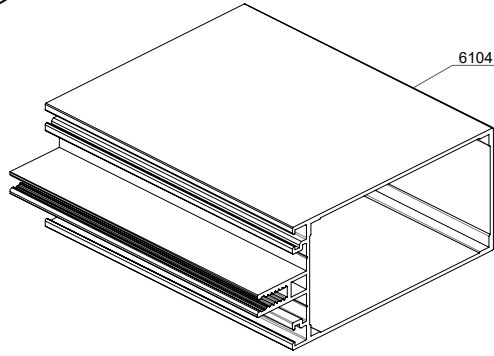
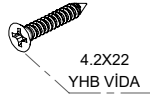
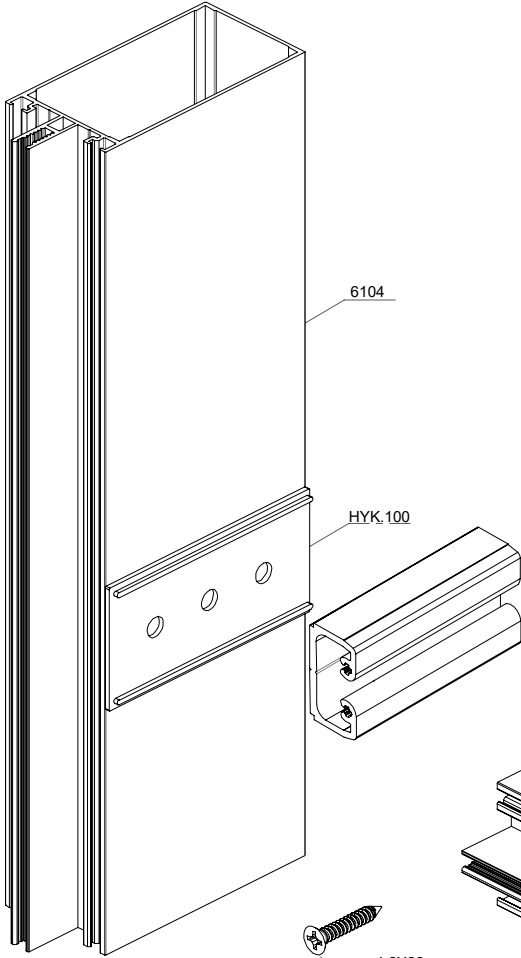


Stok Kodu Reference Code	Aksesuar Kodu Accessory Code	Paket Pack
AKS7305	DPK.50	100 ad / paket

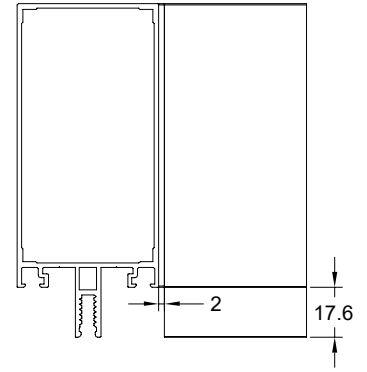


YATAY BAĞLANTI MONTAJI
TRANSOM CONNECTOR ASSEMBLY

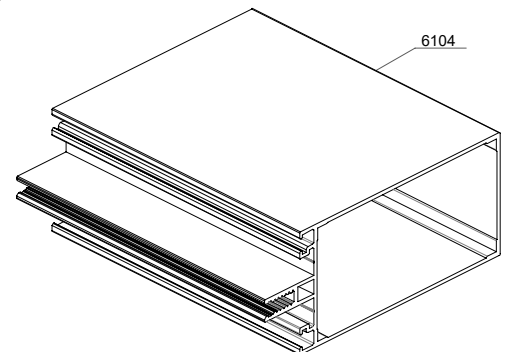
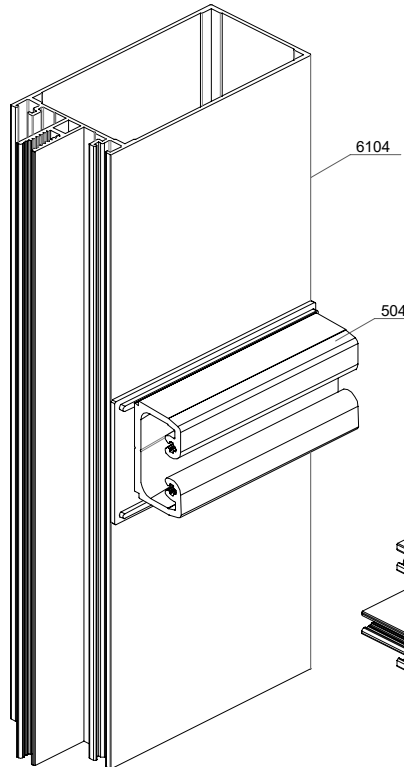
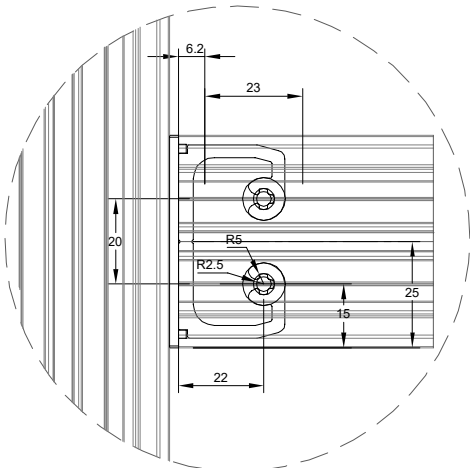
Bağlantı Profil Kodu Connection Profile Code	Aksesuar Kodu Accessory Code	Kesim Boyu (mm) Cutting Length (mm)	Yatay Profil Kod Horizontal Profile Code
 5042	5042-016	48,50 mm	60 mm-6108 60 mm-6109
	5042-026	68,50 mm	80 mm-6133 80 mm-6106 80 mm-6107
	5042-023	88,50 mm	100 mm-6105 100 mm-6104
	5042-008	108,50 mm	120 mm-6102 120 mm-6103
		123,00 mm	135 mm-9888
	5042-008	135,50 mm	150 mm-6101 150 mm-6100



★ Yatay Profil Kertme Ölçüsü
Horizontal Profile Cutting Dimension

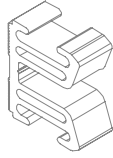


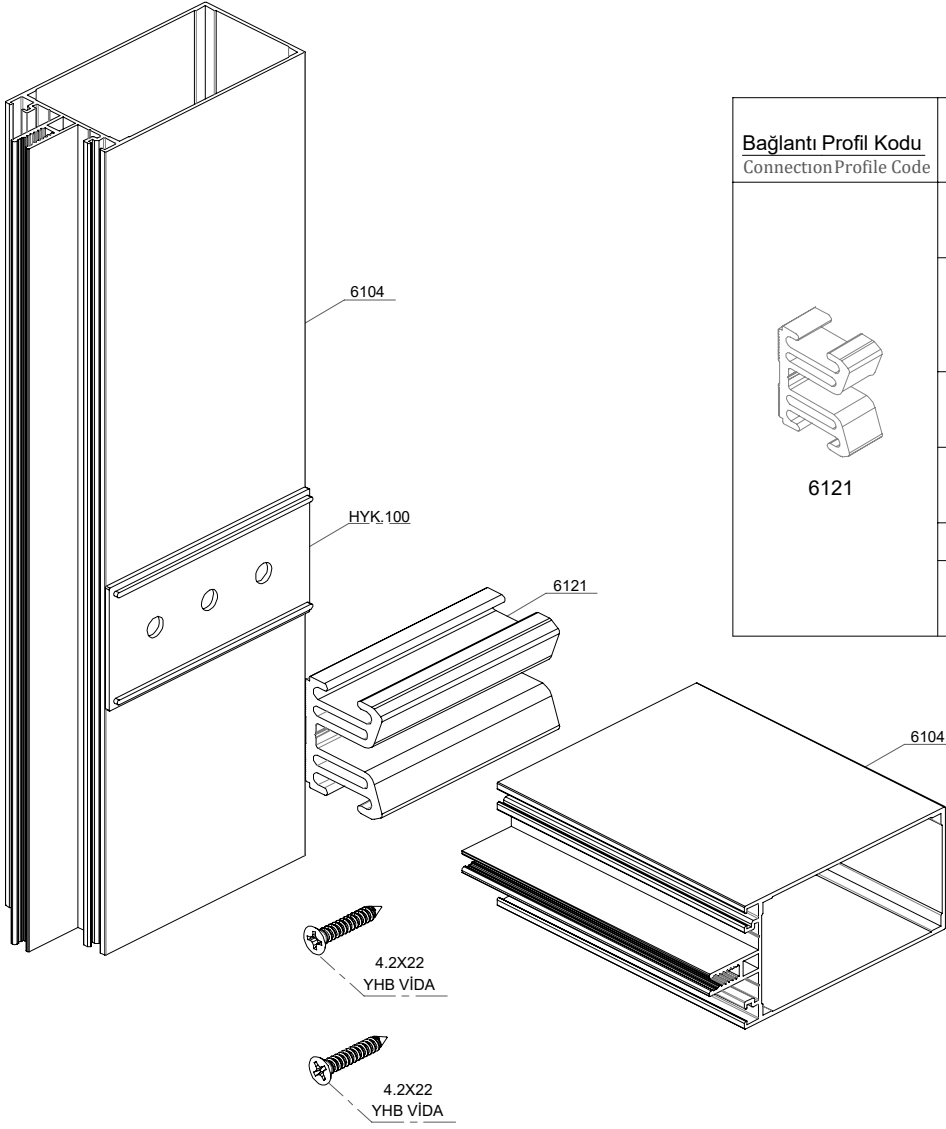
★ U Bağlantı Vida Kesim Ölçüsü
U Connection Screw Cutting Dimension



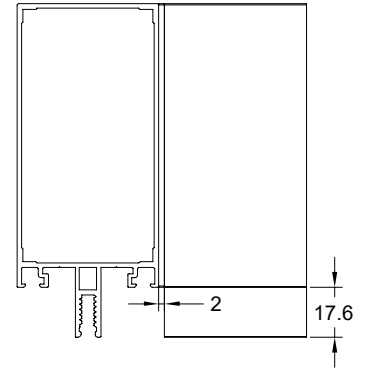


YATAY BAĞLANTI MONTAJI
TRANSOM CONNECTOR ASSEMBLY

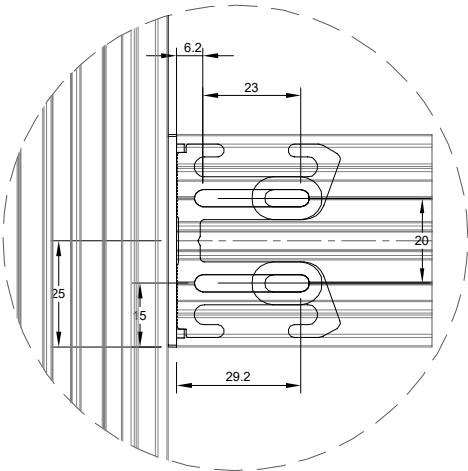
Bağlantı Profil Kodu Connection Profile Code	Aksesuar Kodu Accessory Code	Kesim Boyu (mm) Cutting Length (mm)	Yatay Profil Kod Horizontal Profile Code
 6121	6121-024	48,50 mm	60 mm-6108 60 mm-6109
	6121-016	68,50 mm	80 mm-6133 80 mm-6106 80 mm-6107
	6121-004	88,50 mm	100 mm-6105 100 mm-6104
	6121-007	108,50 mm	120 mm-6102 120 mm-6103
		123,00 mm	135 mm-9888
	6121-009	135,50 mm	150 mm-6101 150 mm-6100



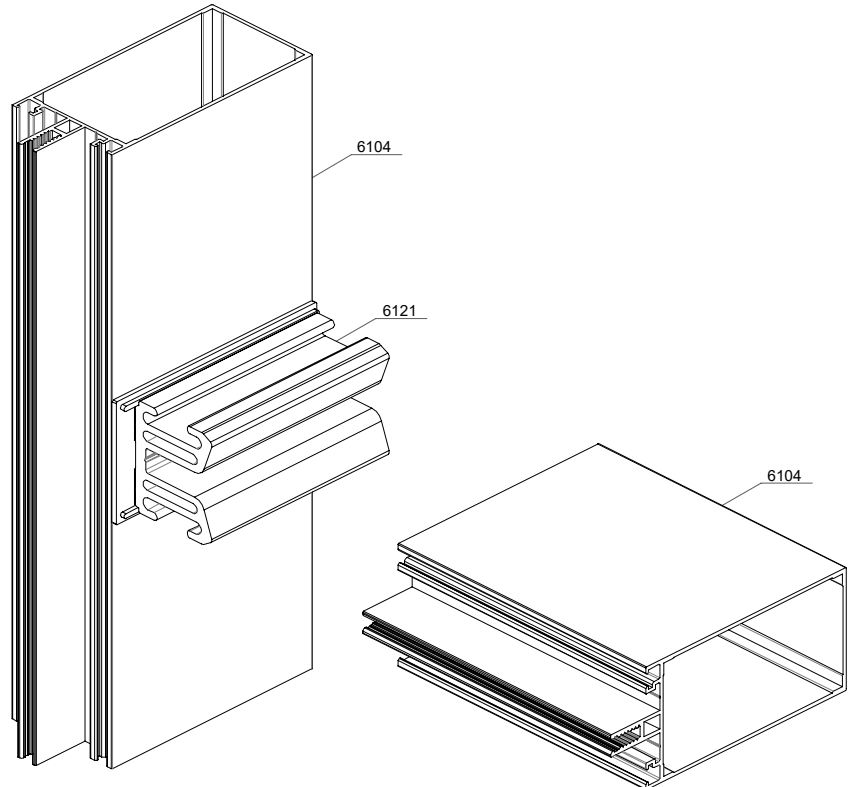
★ Yatay Profil Kertme Ölçüsü
Horizontal Profile Cutting Dimension



★ Bağlantı Vida Kesim Ölçüsü
Connection Screw Cutting Dimension



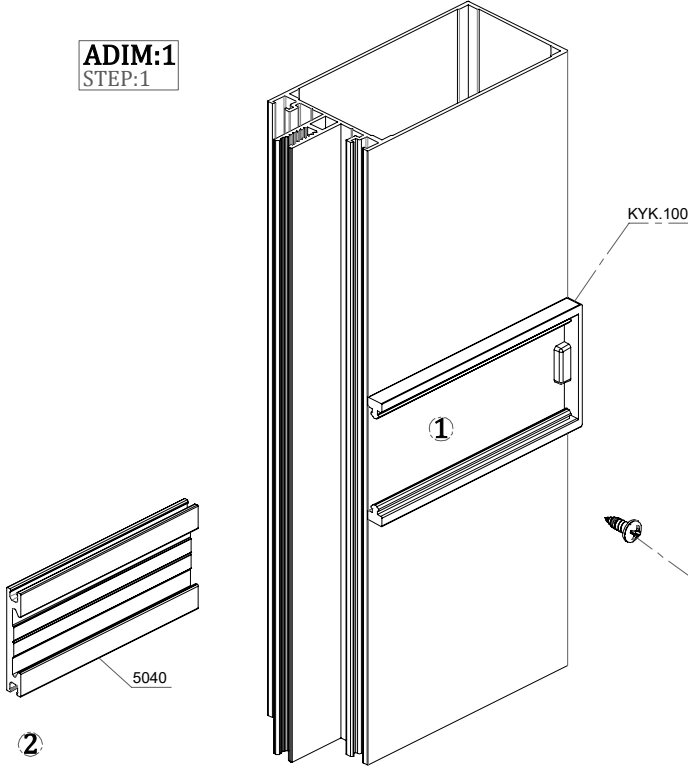
6.2-23 mm aralığında vida deliği açılabilir.
6.2-23 mm



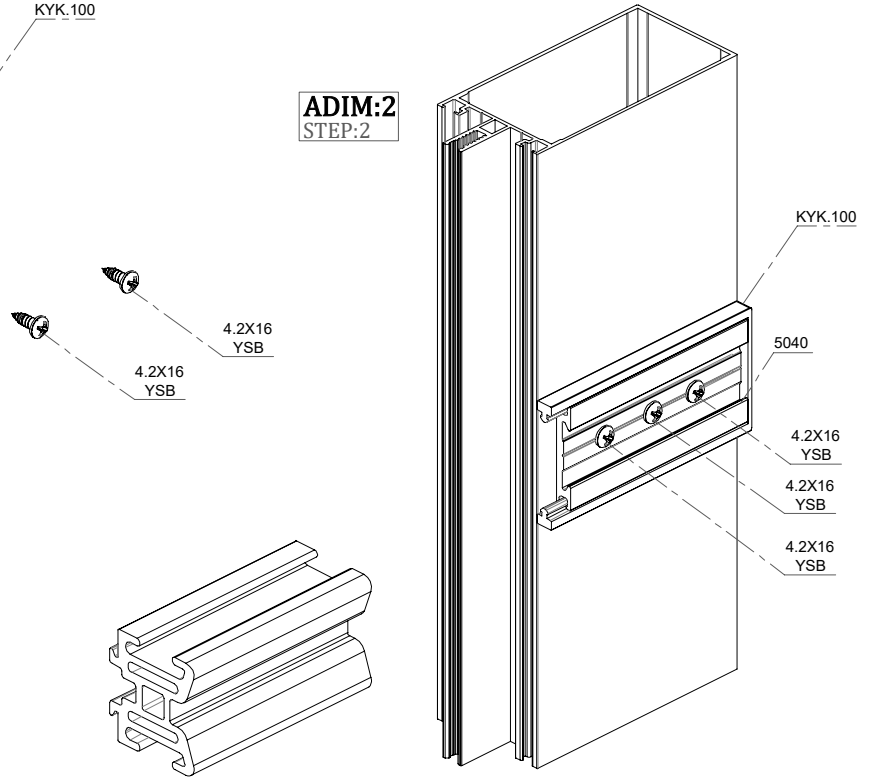


YATAY BAĞLANTI MONTAJI
TRANSOM CONNECTOR ASSEMBLY

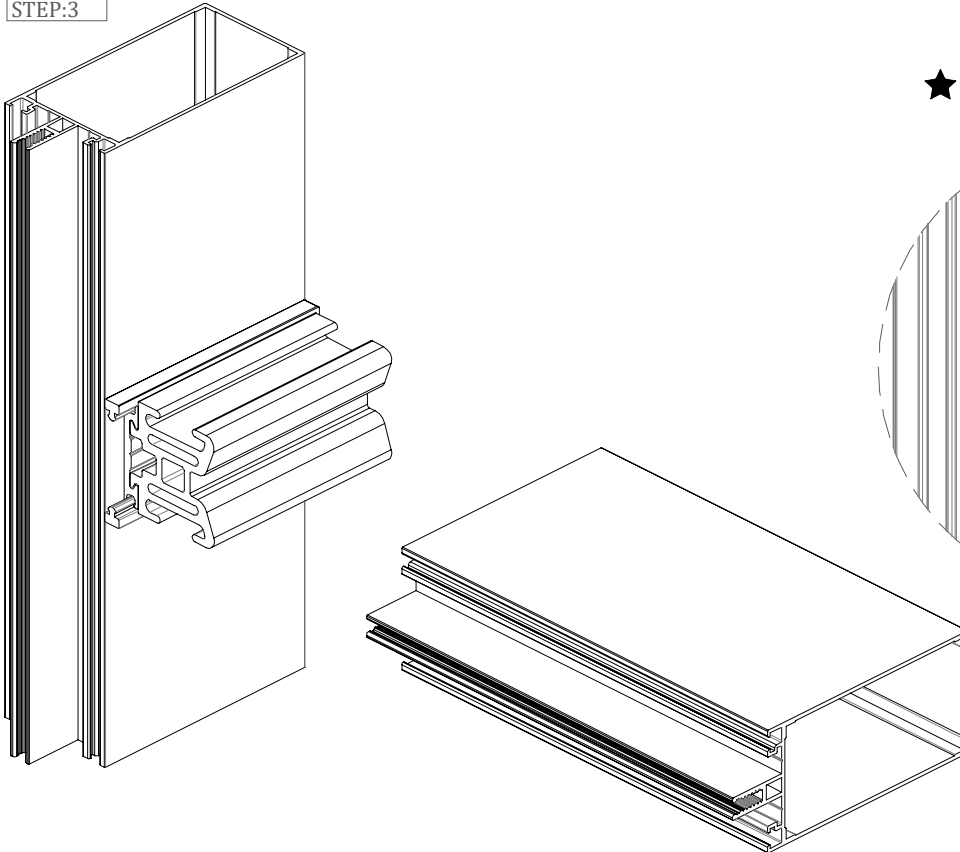
ADIM:1
STEP:1



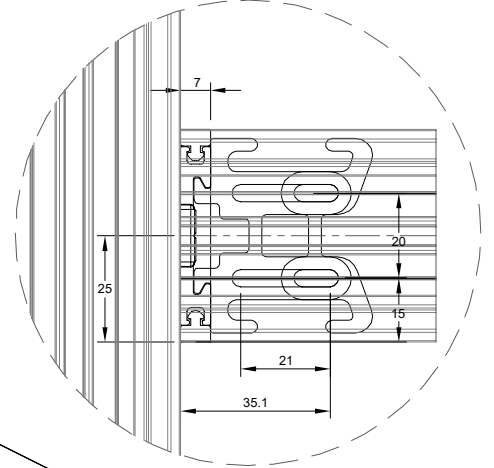
ADIM:2
STEP:2



ADIM:3
STEP:3

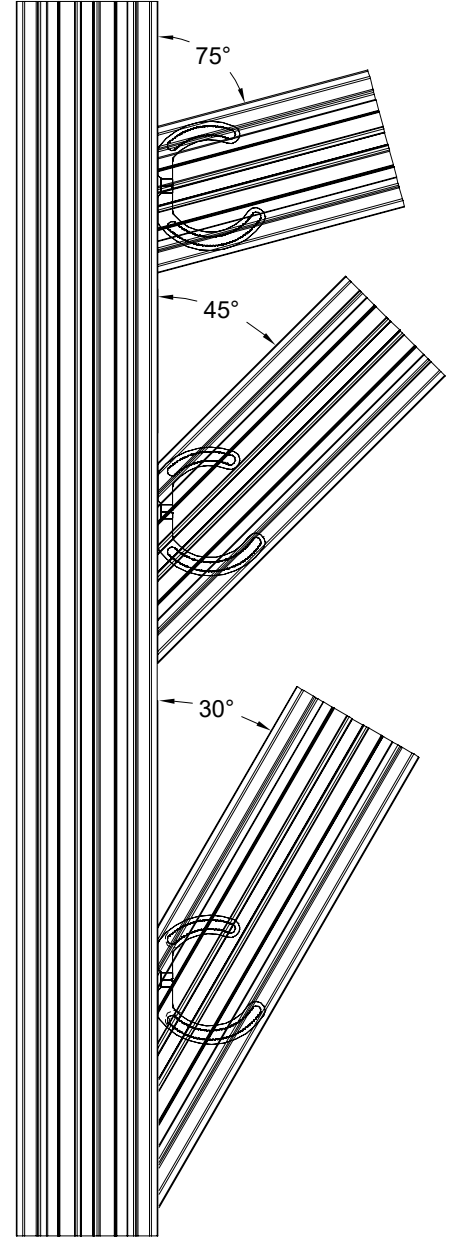
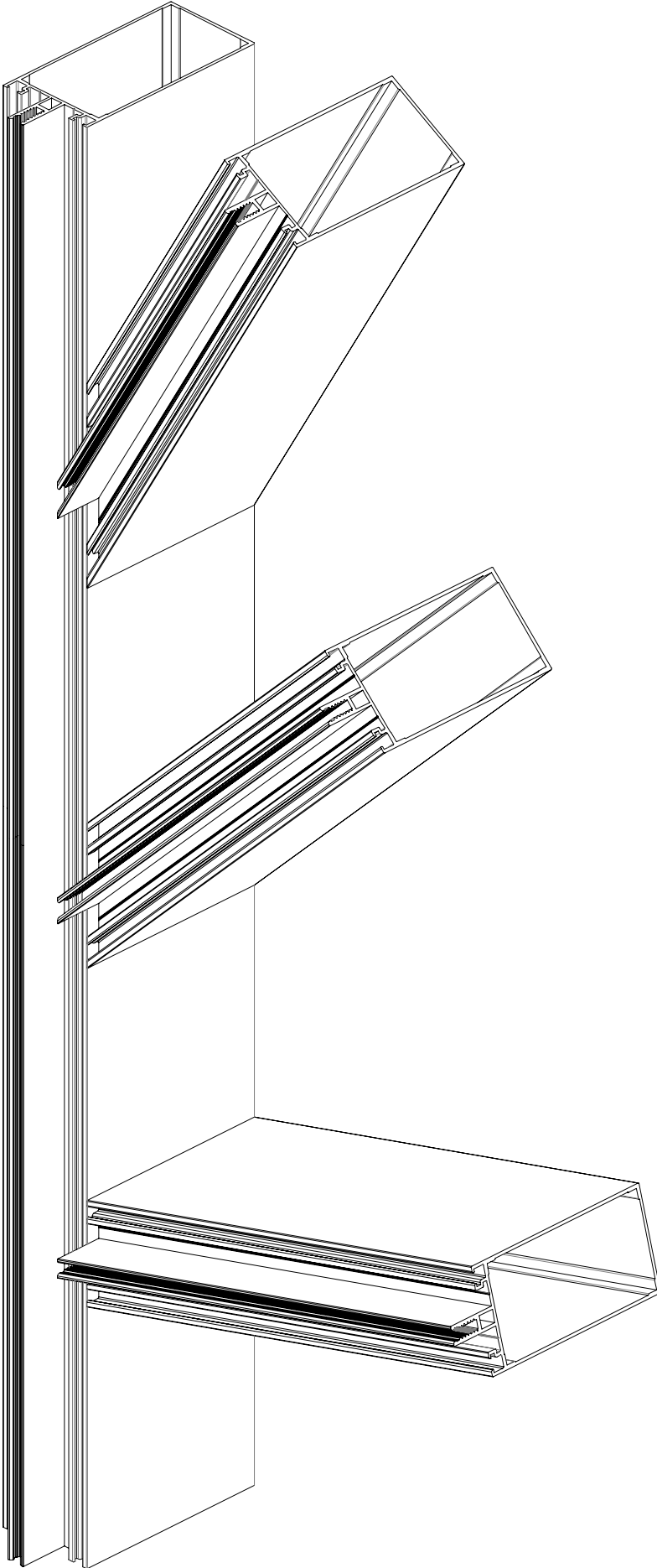


★ Kırılma Bağlantı Vida Kesim Ölçüsü
Connection Screw Cutting Dimension

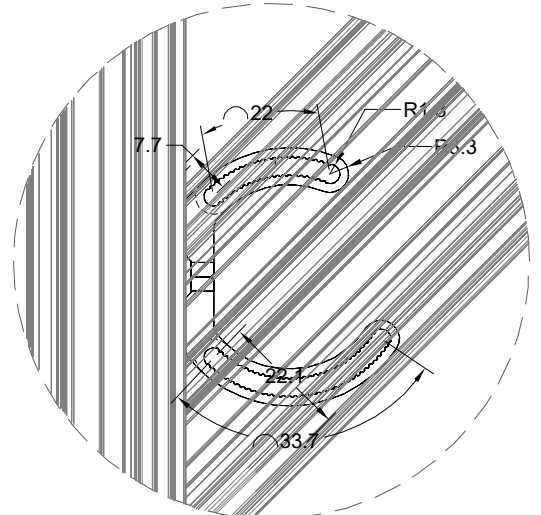




AÇILI U BAĞLANTI
MONTAJ TALİMATLARI
ANGLE U CONNECTION
ASSEMBLY INSTRUCTIONS

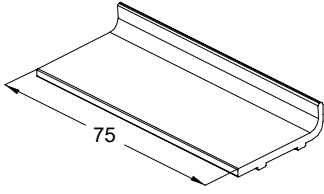


★ C Bağlantı Vida Kesim Ölçüsü
C Connection Screw Cutting Dimension

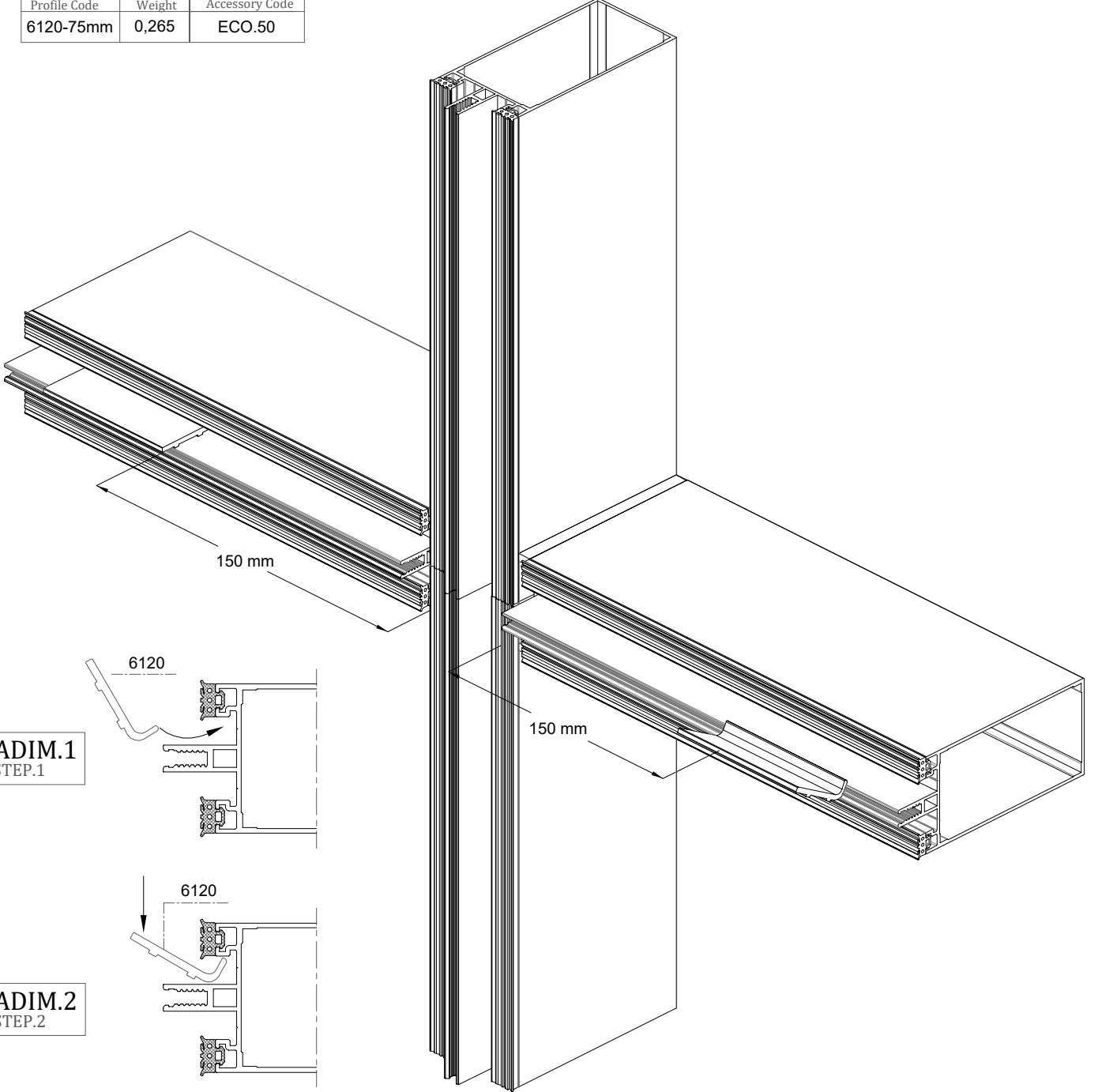




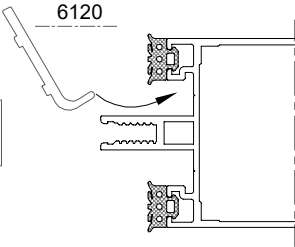
CAM ALTI TAKOZ ŞEMASI
SUB-GLAZING WEDGE DIAGRAM



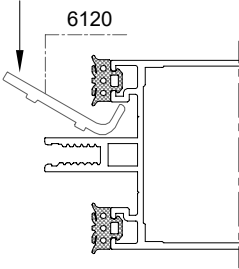
Profil Kodu Profile Code	(kg/mt) Weight	Aksesuar Kodu Accessory Code
6120-75mm	0,265	ECO.50



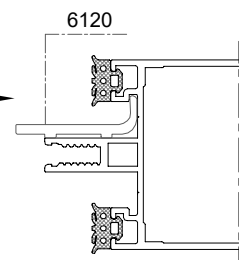
ADIM.1
STEP.1



ADIM.2
STEP.2

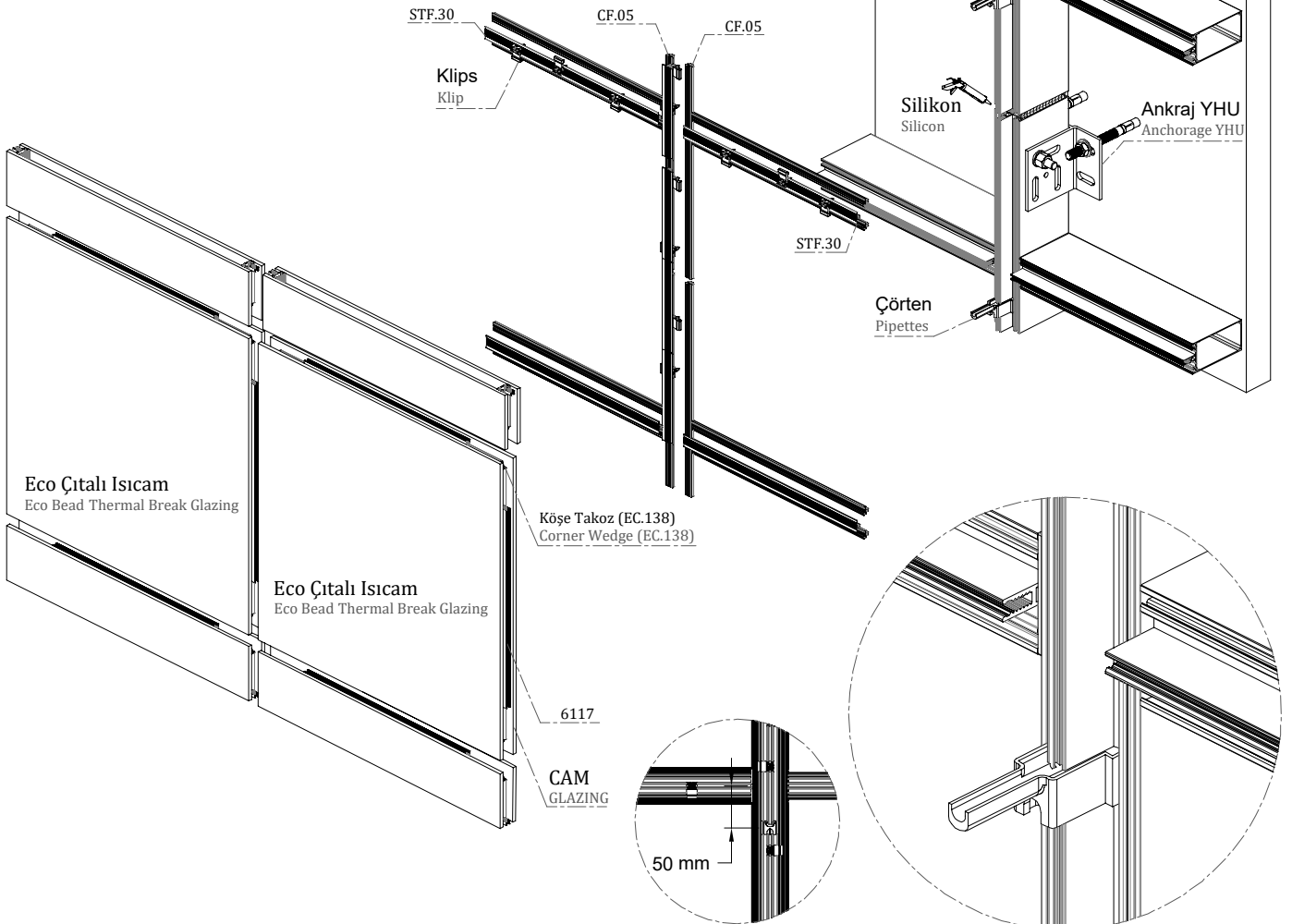
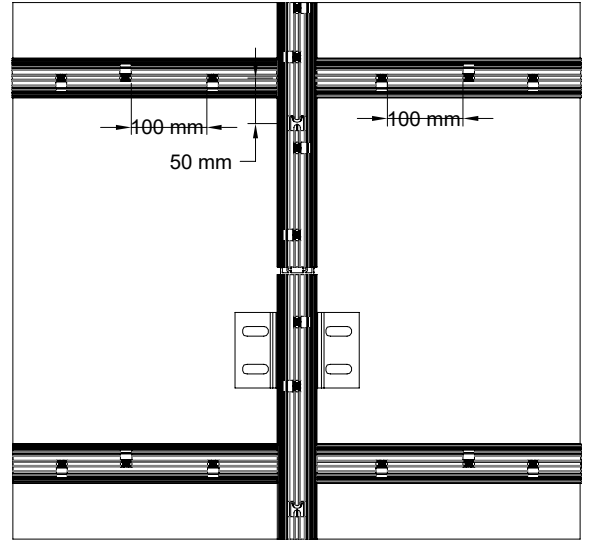
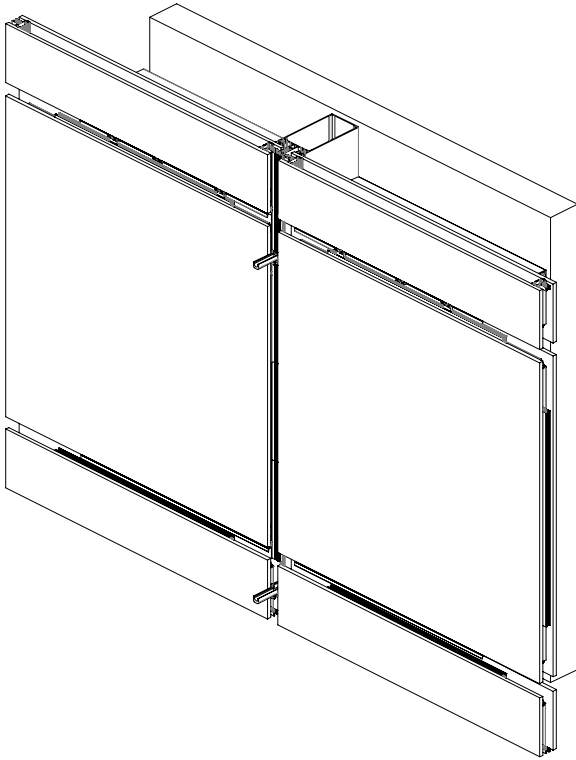


ADIM.3
STEP.3

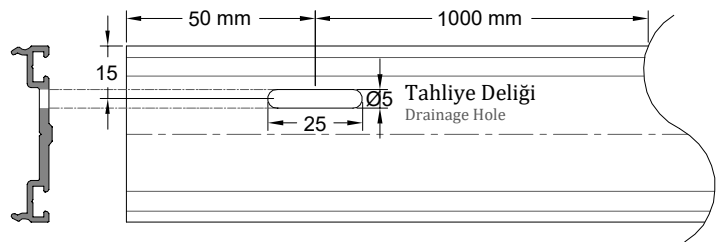
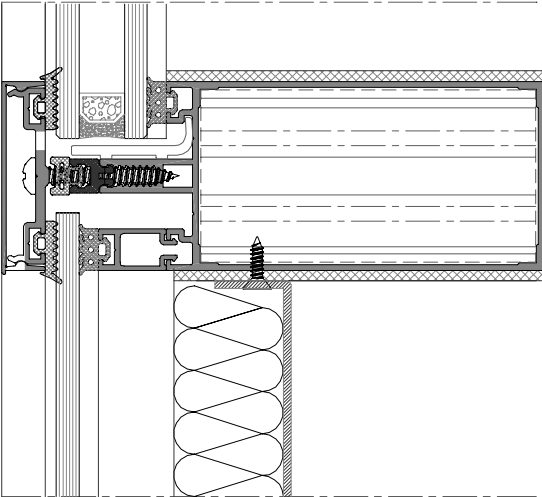
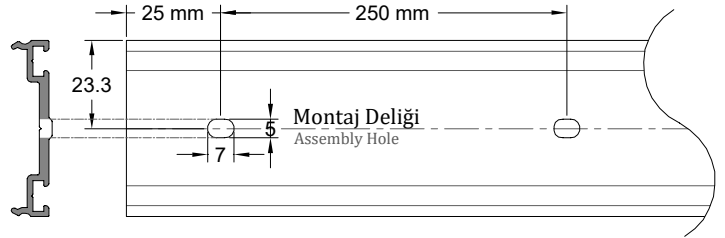
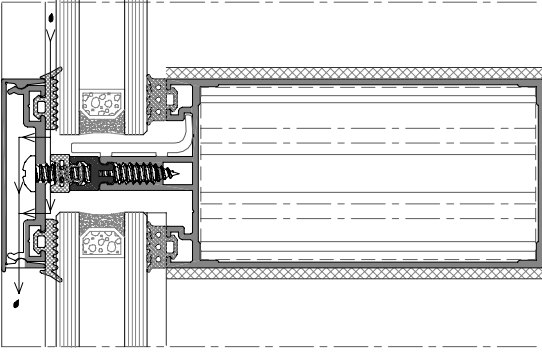
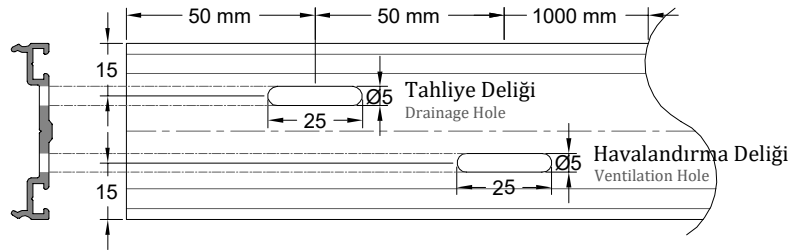
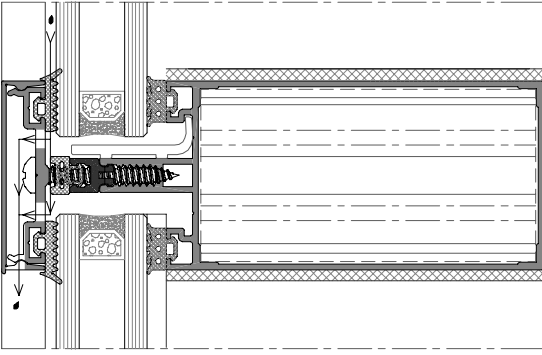
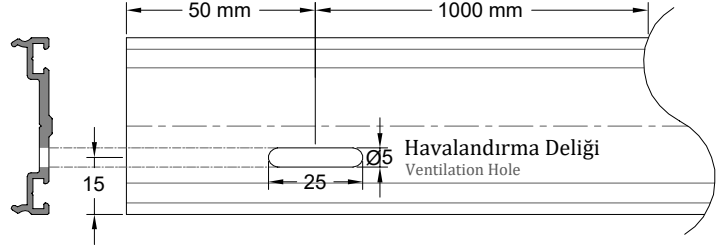
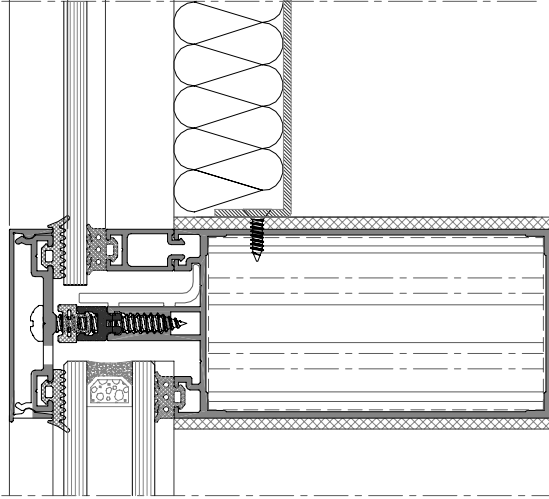




KLİPS (AKS6121) VE ÇÖRTEN MONTAJ CLIP(AKS6121) AND PIPETTES ASSEMBLY INSTULATIONS

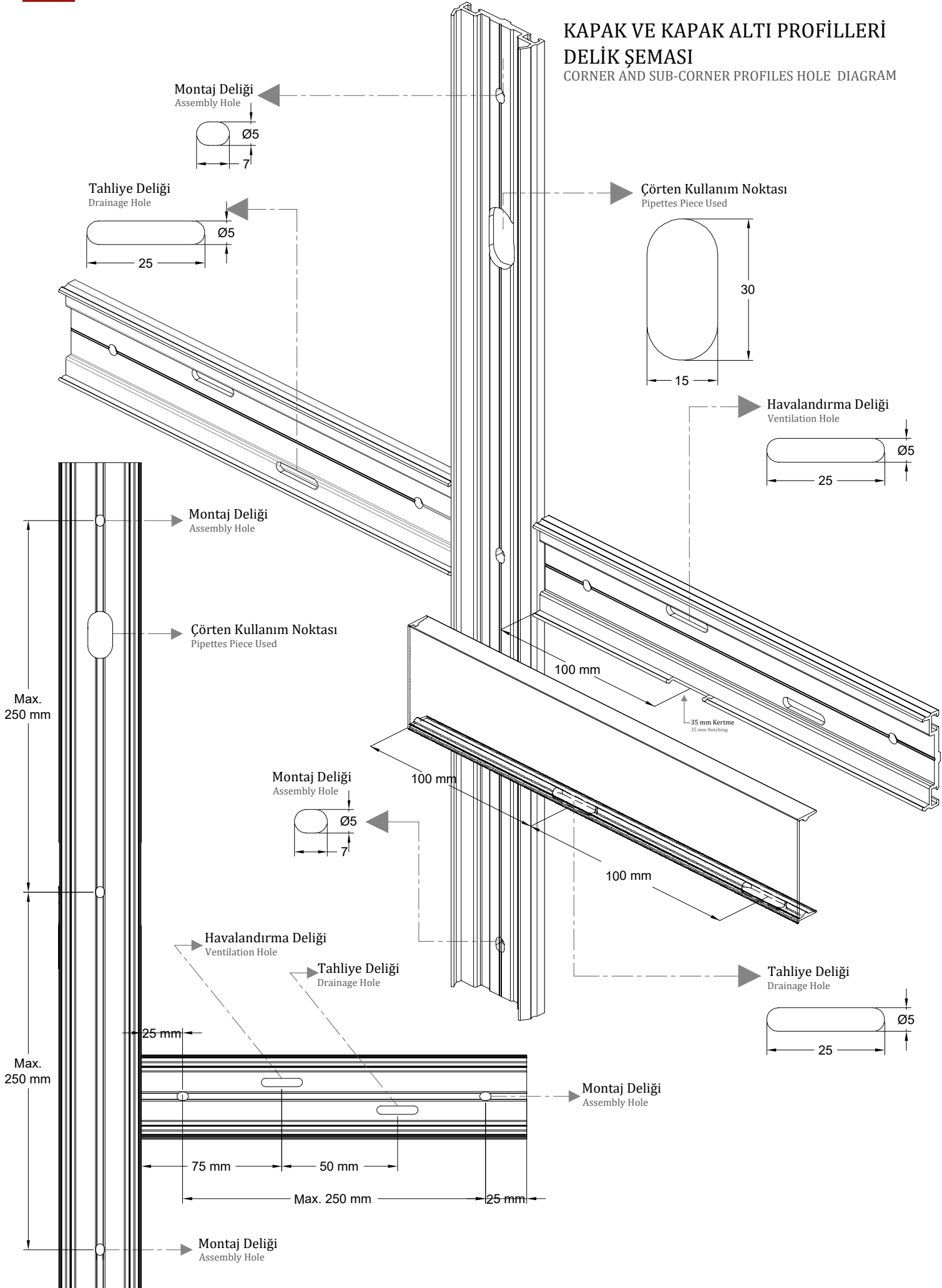


KAPAK VE KAPAK ALTI
PROFİLLERİ DELİK İŞLEMLERİ
CORNER AND SUB-CORNER PROFILES
HOLE PHASE



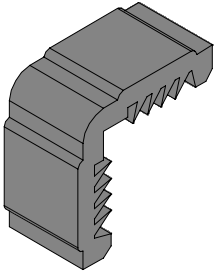


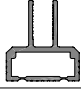
KAPAK VE KAPAK ALTI PROFİLLERİ DELİK ŞEMASI CORNER AND SUB-CORNER PROFILES HOLE DIAGRAM

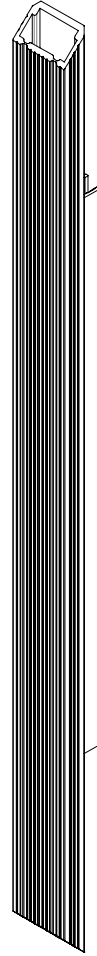
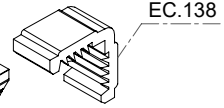




20 mm CAM ÇİTASI İÇİN 45° KÖŞE BAĞLANTI MONTAJ TALİMATI
20 mm GLAZING BEAD FOR 45° CORNER CONNECTION ASSEMBLY INSTRUCTIONS



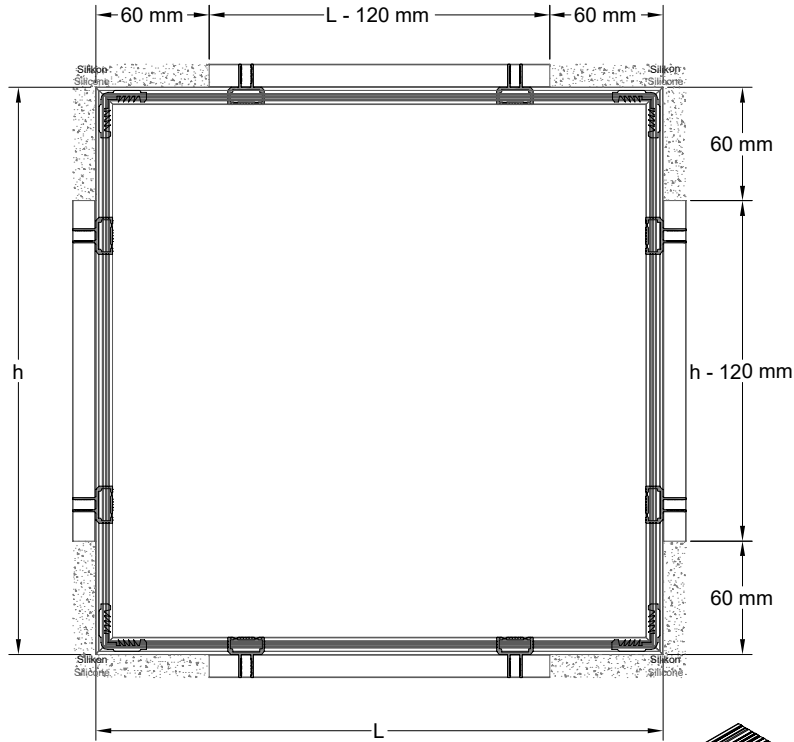
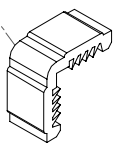
Kullanıldığı Profil (Düsey) Used Profile (Vertical)	Kesim Boyu (mm) Cutting Length (mm)
 6117	13,80 mm



Stok Kodu Reference Code	Aksesuar Kodu Accessory Code
01 130352	EC.138

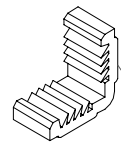
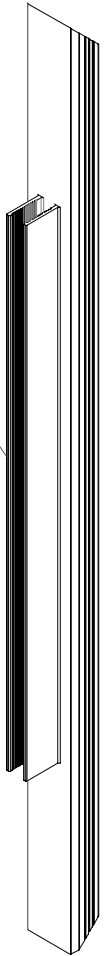
6117

EC.138



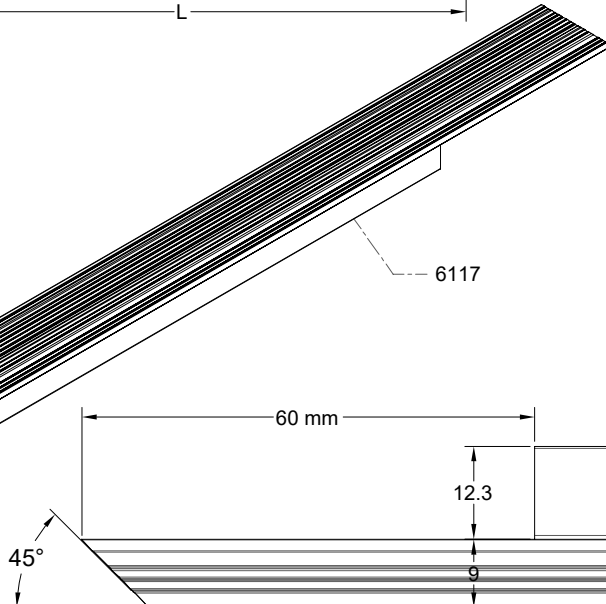
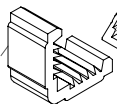
6117

6117



EC.138

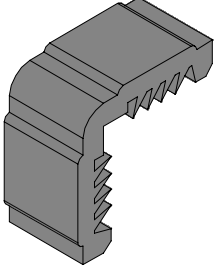
EC.138

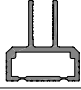


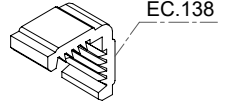
6117



20 mm CAM ÇİTASI İÇİN 90° KÖŞE BAĞLANTI MONTAJI
20 mm GLAZING BEAD FOR 90° CORNER CONNECTION ASSEMBLY



Kullanıldığı Profil (Düşey) Used Profile (Vertical)	Kesim Boyu (mm) Cutting Length (mm)
 6117	13,80 mm



Stok Kodu Reference Code	Aksesuar Kodu Accessory Code
01 130352	EC.138

